

Stainless Steel Handles

Handles for tubular frame doors

Knobs for tubular frame doors

Square spindles

Handles


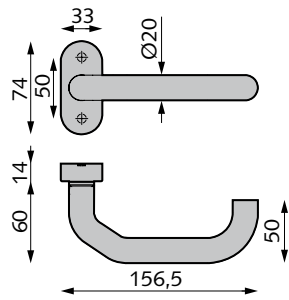
 Available from
stock



Table of contents

Handles for tubular frame doors	Page 3
Knobs for tubular frame doors	Page 5
Square spindles	Page 6
Handles	Page 7

Stainless Steel Handles

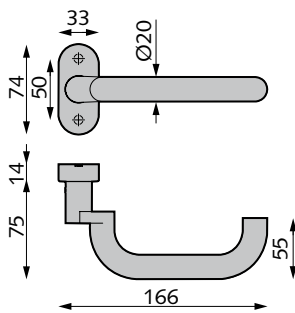


Handle U-shaped, cropped

- with oval rose
- with concealed screw holes
- fixed pivot mounted



Art.-Nr.	Square	Function	Classifications	Material/Surface
50012073	8	spring loaded	—	SS V2A matt brushed
50012105	9	spring loaded	DIN EN 179/FS	SS V2A matt brushed
50013923	9	non spring loaded	DIN EN 179/FS	SS V2A matt brushed

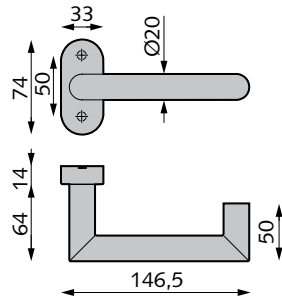
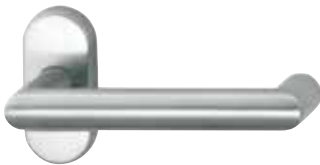


Handle U-shaped, cropped

- with oval rose
- with concealed screw holes
- fixed pivot mounted



Art.-Nr.	Square	Function	Classifications	Material/Surface
50010755	8	spring loaded	—	SS V2A matt brushed
50012072	9	spring loaded	DIN EN 179/FS	SS V2A matt brushed
50013924	9	non spring loaded	DIN EN 179/FS	SS V2A matt brushed

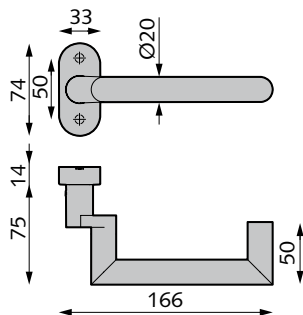


Handle U-shaped, mitred

- with oval rose
- with concealed screw holes
- fixed pivot mounted



Art.-Nr.	Square	Function	Classifications	Material/Surface
50015481	8	spring loaded	—	SS V2A matt brushed
50013287	9	spring loaded	DIN EN 179/FS	SS V2A matt brushed
50018185	9	non spring loaded	DIN EN 179/FS	SS V2A matt brushed



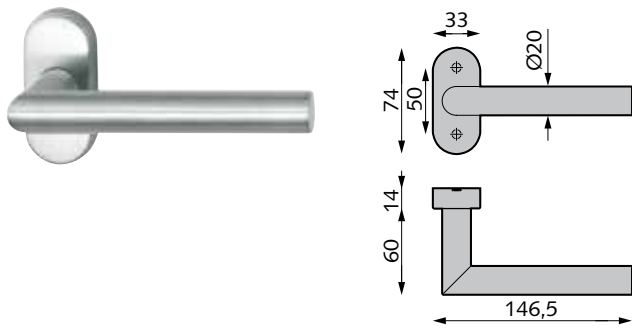
Handle U-shaped, mitred, cropped

- with oval rose
- with concealed screw holes
- fixed pivot mounted



Art.-Nr.	Square	Function	Classifications	Material/Surface
50016129	8	spring loaded	—	SS V2A matt brushed
50012577	9	spring loaded	DIN EN 179/FS	SS V2A matt brushed
50014366	9	non spring loaded	DIN EN 179/FS	SS V2A matt brushed

FS = suitable for fire resistant doors
SSV2A = 304 stainless steel

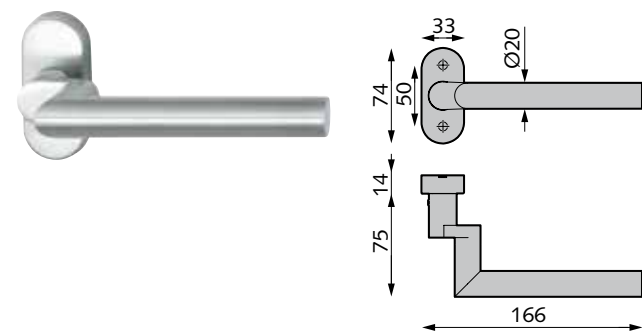


Handle L-shaped, mitred

- with oval rose
- with concealed screw holes
- fixed pivot mounted



Art.-Nr.	Square	Function	Classifications	Material/Surface
50012341	8	spring loaded	—	SS V2A matt brushed
50011056	9	spring loaded	FS	SS V2A matt brushed
50019268	9	non spring loaded	FS	SS V2A matt brushed

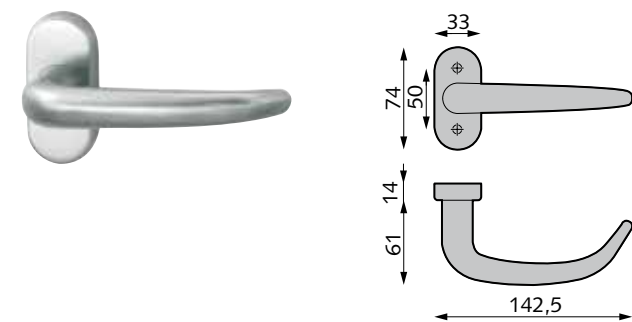


Handle L-shaped, cropped

- with oval rose
- with concealed screw holes
- fixed pivot mounted



Art.-Nr.	Square	Function	Classifications	Material/Surface
50012683	8	spring loaded	—	SS V2A matt brushed
50013833	9	spring loaded	FS	SS V2A matt brushed
50010795	9	non spring loaded	FS	SS V2A matt brushed

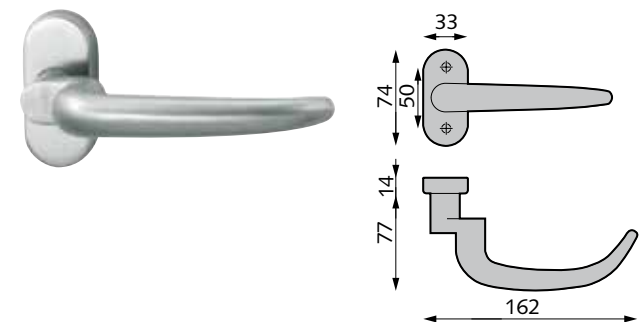


Handle sabres-shaped

- with oval rose
- with concealed screw holes
- fixed pivot mounted



Art.-Nr.	Square	Function	Classifications	Material/Surface
50021151	8	spring loaded	—	SS V2A matt brushed
50013926	9	spring loaded	DIN EN 179/ FS	SS V2A matt brushed
50015524	9	non spring loaded	DIN EN 179/ FS	SS V2A matt brushed



Handle sabres-shaped, cropped

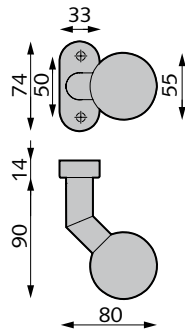
- with oval rose
- with concealed screw holes
- fixed pivot mounted



Art.-Nr.	Square	Function	Material/Surface
50014005	8	spring loaded	SS V2A matt brushed
50012416	9	spring loaded	SS V2A matt brushed
50018115	9	non spring loaded	SS V2A matt brushed

FS = suitable for fire resistant doors
SSV2A = 304 stainless steel

Stainless Steel Handles



Knob round shaped, cropped

- with oval rose
- M6 thread
- with concealed screw holes
- riveted

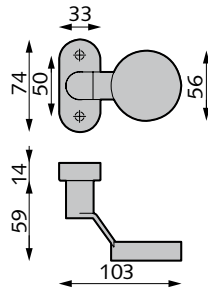


Art.-Nr.

Material/Surface

50010596

SS V2A matt brushed



Knob slimline, cropped

- with oval rose
- M6 thread
- with concealed screw holes
- riveted

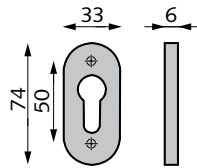


Art.-Nr.

Material/Surface

50012074

SS V2A matt brushed



Cylinder rose, oval

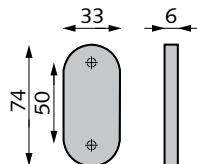
- with concealed screw holes

Art.-Nr.

Material/Surface

50010754

SS V2A matt brushed



Blind rose, oval

- with concealed screw holes

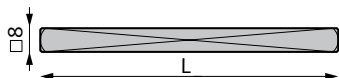
Art.-Nr.

Material/Surface

50015290

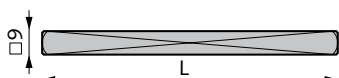
SS V2A matt brushed

SSV2A = 304 stainless steel



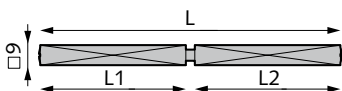
Square spindle

Art.-Nr.	Square	Lengthmm	Material/Surface
02.820.1060.010	8	60	St galvanized
02.820.1070.010	8	70	St galvanized
02.820.1130.010	8	130	St galvanized
02.820.1140.010	8	140	St galvanized
02.820.1150.010	8	150	St galvanized
02.820.1160.010	8	160	St galvanized



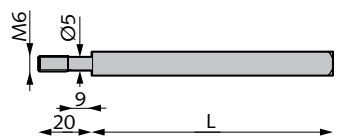
Square spindle

Art.-Nr.	Square	Lengthmm	Material/Surface
50016959	9	70	St galvanized
50016953	9	130	St galvanized
50016955	9	150	St galvanized
50016952	9	170	St galvanized



Divided panic spindle

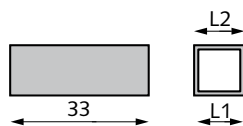
Art.-Nr.	Square	L1 mm	L2 mm	Material/Surface
50016954	9	65	65	St galvanized
50016960	9	75	55	St galvanized
50019008	9	90	55	St galvanized



Square spindle with thread

- with M6 thread

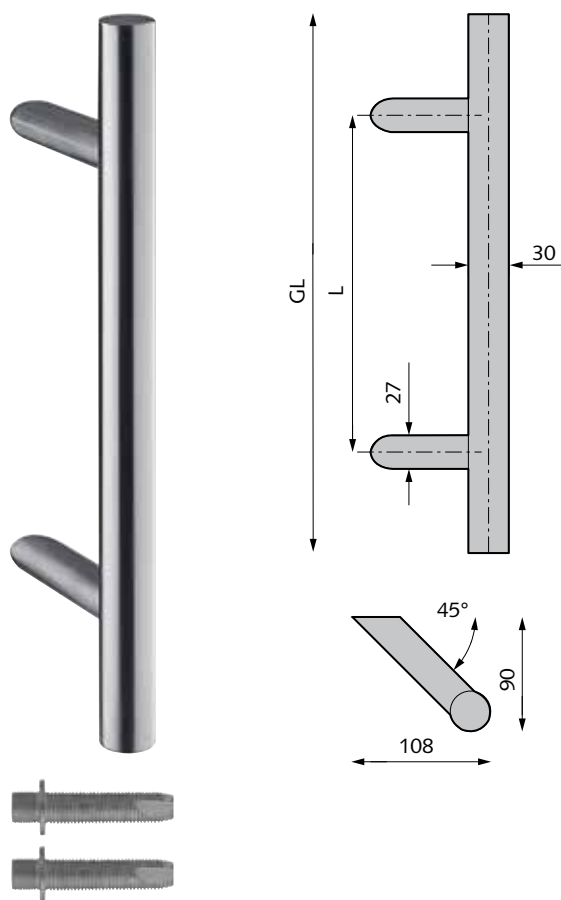
Art.-Nr.	Square	Lengthmm	Material/Surface
50015464	9	90	St galvanized
50020511	8	110	St galvanized



Compensation bush

- for handle-square spindles

Art.-Nr.	Lengthmm	L1 mm	L2 mm	Material/Surface
02.870.0089.005	33	8	9	St bright

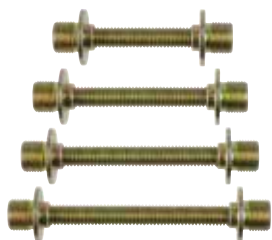


Stainless steel handle

- drilling diameter Ø 10 mm
- including fixing material for one-sided assembling on tubular frame doors, thread length 46 mm

Art.-Nr.	L1 mm	L2 mm	Material/Surface
08.110.0340.426	340	210	SS V2A matt brushed
08.110.0400.426	400	300	SS V2A matt brushed
08.110.0500.426	500	300	SS V2A matt brushed
08.110.0600.426	600	400	SS V2A matt brushed
08.110.0800.426	800	560	SS V2A matt brushed
08.110.1000.426	1.000	700	SS V2A matt brushed
08.110.1200.426	1.200	900	SS V2A matt brushed
08.110.1400.426	1.400	1.000	SS V2A matt brushed
08.110.1600.426	1.600	1.200	SS V2A matt brushed
08.110.1800.426	1.800	1.300	SS V2A matt brushed

Fixing material for pair-wise assembling



Art.-Nr.	Door thickness	Material/Surface
50021124	37-47	St galvanized
50021125	48-57	St galvanized
50021123	58-67	St galvanized
50004703	68-77	St galvanized

Information:

For pair-wise assembling please order:
 2x stainless steel handle Art.-no. 08.110.---.--- and
 2x fixing material according to door thickness.

SSV2A = 304 stainless steel



Wilh. Schlechtendahl & Söhne
GmbH & Co. KG

Hauptstrasse 18–32
42579 Heiligenhaus
Germany

Phone: +49 (0) 20 56/17-0
Fax: +49 (0) 20 56/51 42

wss@wss.de
www.wss.de

based in 42579 Heiligenhaus,
Local court Wuppertal, HRA 20804

Managing Directors: Guido Lücker, Robin Fasel

VAT No: DE 121546484
Tax ID: 13957280071

All image, product, dimension and design information is correct at the time of going to press. We reserve the right to make any changes that may be required for technical and further development. We assume no liability for printing or other errors. Legal claims, regardless of their nature, may not be inferred from the use of our documents. No part of this document may be reproduced without our prior written consent.

Our General Terms and Conditions apply (www.wss.de).