

# SELCO

## Double Action Door Hinges



The new self-closing double action door hinges for interior doors in the private and commercial sector. Max. door weight 70kg.



# The most beautiful door closer in the world: a double action door hinge



## SELCO Self-closing Double Action Door Hinges

The new self-closing double action door hinges for internal doors in private and commercial sector are particularly designed for passageways. No need for time-consuming installation of door closers. SELCO double action door hinges do not require any complicated glass preparations and are easy to install.

Quality. Optics. Function.  
For leaf weight of up to 70 kg

### SELCO is suitable for:

- Max. 70 kg leaf weight
- Leaf widths up to 1,000 mm
- Leaf heights up to 2,500 mm
- 8, 10 and 12 mm ESG
- Fixing options: glass – wall, glass – frame and glass – glass
- Corrosion protection according to DIN EN 1670 / class 3

### Technical details:

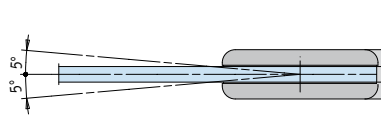
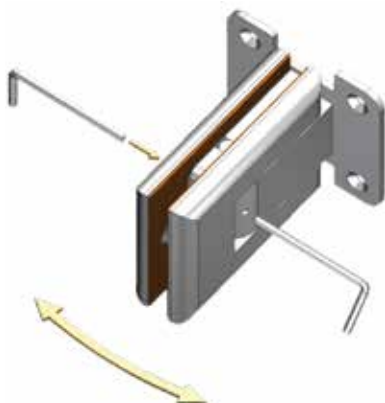
Arrester: ..... at 90°

Zero position adjustment..... ±5°

Test: ..... 500,000 cycles according to DIN EN 18263

Surface: ..... high-quality aluminium surface or stainless steel finish

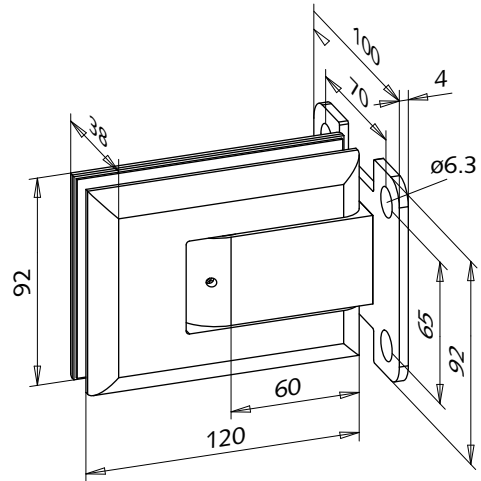
### Simple adjustment of zero position



## Glass – Wall

Installation onto wall using surface mounted fixing plate

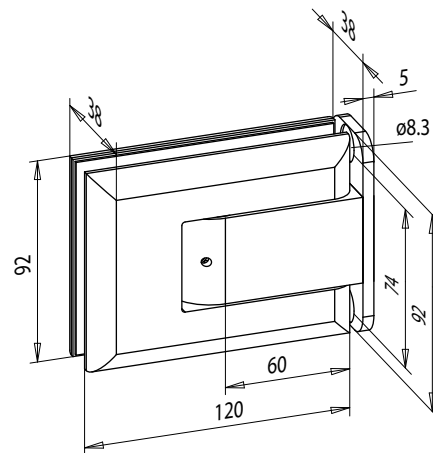
Art-N°: 26.600.0600.---



## Glass – Frame

Installation onto frame using embedded fixing plate with on-site installation kit

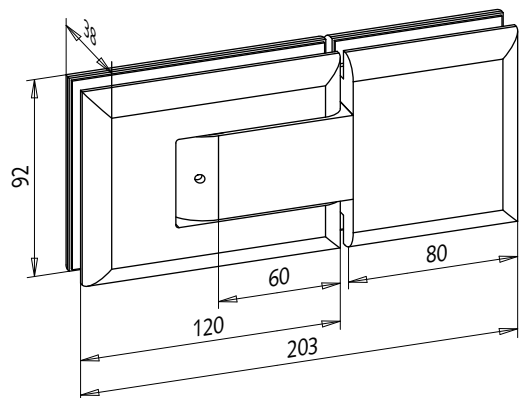
Art-N°: 26.602.0600.---



## Glass – Glass

Installation onto glass side panel

Art-N°: 26.604.0600.---





**Wilh. Schlechtendahl & Söhne**  
GmbH & Co. KG

Hauptstrasse 18–32  
42579 Heiligenhaus  
Germany

Tel: +49 (0) 20 56/17-0  
Fax: +49 (0) 20 56/51 42

wss@wss.de  
www.wss.de

Legal venue 42579 Heiligenhaus,  
District Court Wuppertal, HRA 20804

Managing Directors: Guido Lücker, Robin Fasel

VAT ID No.: DE 121546484  
Tax no.: 13957280071

All images, product, dimensions and design details are related to the date of publishing. We reserve the right to changes in the interests of technical progress and further developments. No liability for printing errors or other technical mistakes. No legal claims of whatever kind can be derived from the use of our documents. Reprints of this document, even in part, require our written approval.