

News

Great for office.

WSS 



DEMO wall

The complex solution of a double-glazed partition wall with a door and an installation panel is an example of functionality and modern design that will perfectly fit into any office space.

Glass partition

A double-glazed system dedicated for rooms meant to host confidential talks, such as directors' offices and conference rooms.

- The highest acoustic insulation parameters – R_w even up to 57 dB – for office rooms requiring the highest level of privacy.
- Mounting profile 35 mm high, consistent with all GSW Office products.
- Quick and convenient assembly thanks to a system of spacers and special elements protecting glass during installation.

Installation panel

GSW Office Plus Panel is a vertical glass wall element, analogous to its one-pane counterpart and designed to provide the necessary installations or a perpendicular connection of a glass wall with a drywall.

A variant of the panel that allows non-standard use of various types of screens and drivers in doubleglazed systems, which are placed inside the panel. The dimensions can be adapted to individual needs, which gives greater freedom in design. The individualisation of the panel also applies to finishing materials. The panel can be made of glass - perfectly matching the wall surface, or for example wood, referring to other interior elements.



Purian door

The combination of the highest aesthetics and acoustic insulation. Unique design thanks to structurally bonded glass.

The doors are available in a transparent or non-transparent version.

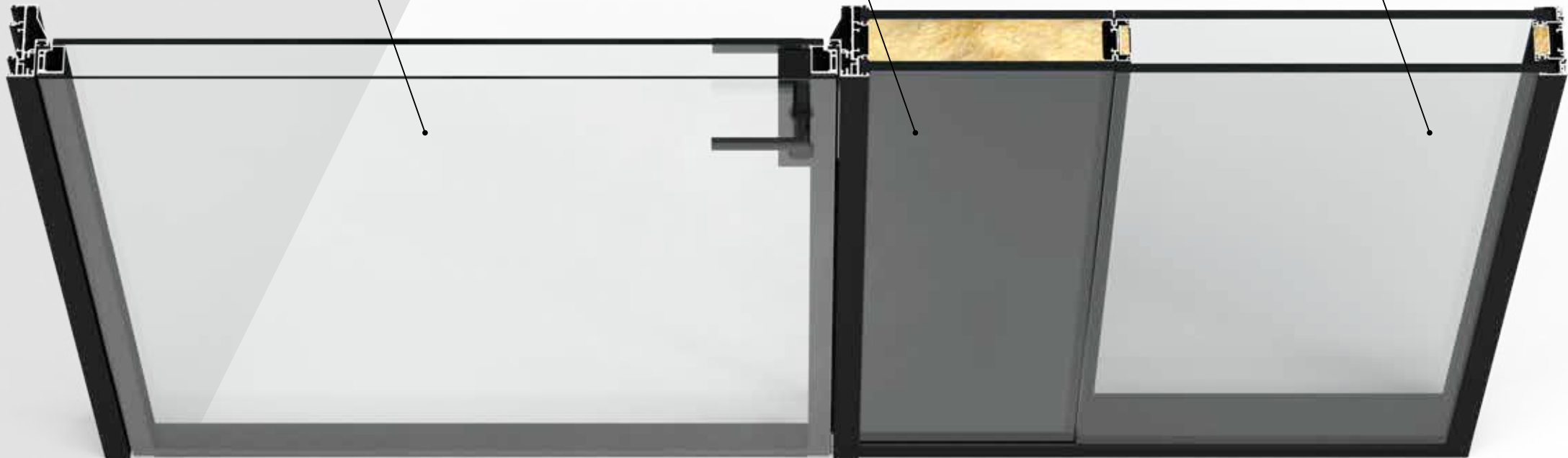
- universal mounting methods in any type of GSW Office frame - both single and double glazed walls as well as in traditional concrete wall,
- double glazing structurally glued to the profile hidden inside of the door structure,

- the narrow structure of the aluminum door frame - only 35 mm wide - creates a light and delicate visual effect, harmonizing with the permanent glazing profiles,
- many finishing options - aluminum profiles are available in a wide range of colors with anodic or varnish coating and corresponding color selection of the seals.

Purian door

Installation panel

A double-glazed system



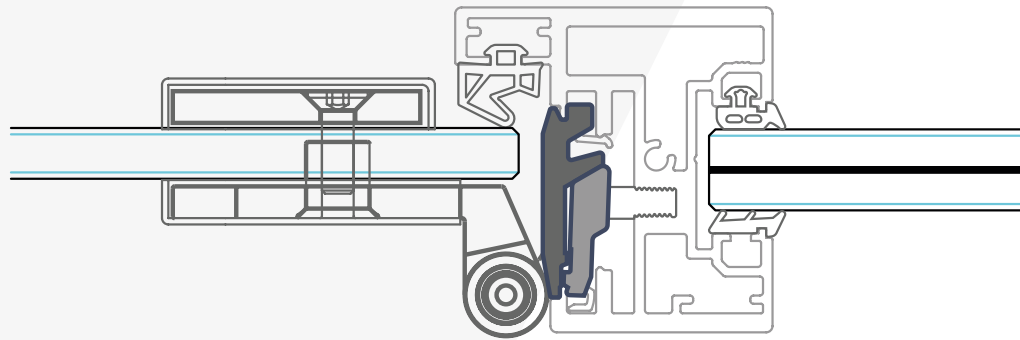
New

Hinge for glass doors

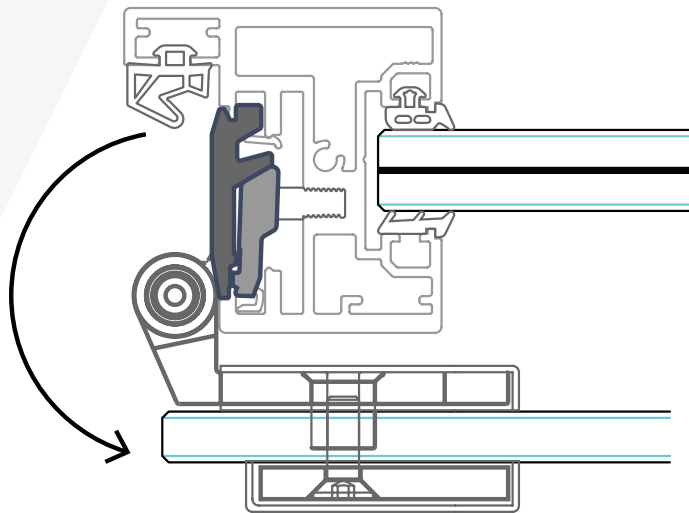


Hinge for glass doors

The new solution of the hinge dedicated to glass doors enables full functionality and ease of installation. The solution dedicated to the GSW Office and GSW Office Plus profiles enables installation in the already installed door frame, and the specially designed detail of the functional channel makes it possible to automatically determine the target position of the hinge without the use of additional mounting plates. This has a positive impact on price and assembly optimization.

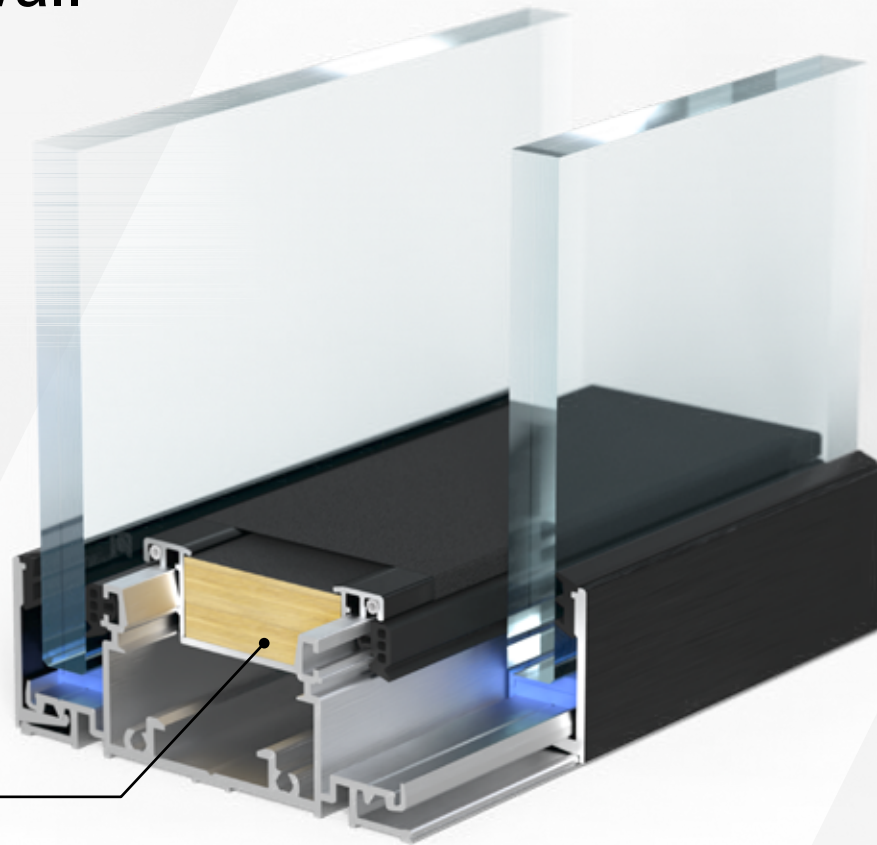


Opening 180 degrees



Akustic

for a double-glazed wall



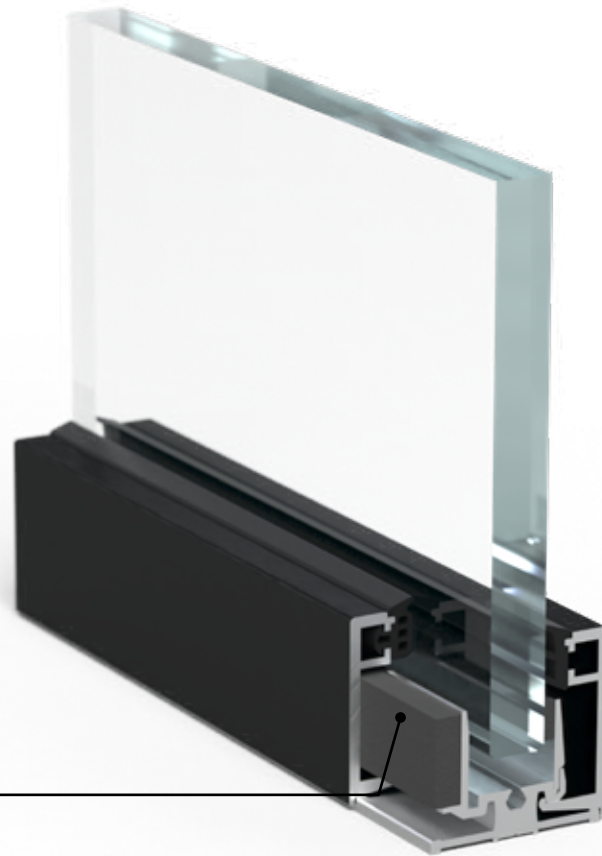
Akustic

An original insert that increases R_w acoustic insulation parameter of double-glazed walls up to 4 dB, using the same variant of the system and type of glass. The role of the insert is to absorb sound waves inside the glass wall and thus limit their passage to the other side of the partition.

The outer layer that covers the Akustic cartridge is not accidental. It is a type of fabric used in sound systems, which role is to effectively transmit sound waves, while aesthetically cover what is hidden inside. That enabled to compose a coherent solution with the entire GSW Office Plus system.

IsoSound

for a single-glazed wall



IsoSound

The IsoSound filling is an integral part of the basic GSW Office system. By filling the empty space inside the profile, sound waves are damped to a better extent and combined with glass with acoustic film, the insulation parameters of the entire wall achieves the highest possible results for a one-pane structures.

The use of the IsoSound solution increases acoustic insulation by 1 dB.

GSW Office

GSW Office Plus

GSW Office FR

GSW Office Plus FR



Typical purpose

Offices

Category of use^a

III / IV

IV

IV

IV

Max. height

3200 / 3400 mm

3400 / 4000^b mm

2800^e / 3000 mm

3200 mm

Type of glass

ESG 10, 12
VSG 55.X, 66.X, 88.2, 106.2

ESG 8^d, 10, 12
VSG 44.X^e, 55.X, 66.X, 88.2

Contraflam Structure 30
Pyrobel 16 VL, 16 EG^f, 16 EG VL, 25 VL

Pyrobel 16 VL, 16 EG VL,
25 VL, VSG 55.X, 66.X, 88.2

Acoustic insulation R_w

33 ÷ 41 dB

41 ÷ 57 dB

38 ÷ 42 dB

47 ÷ 53 dB

Acoustic insulation R_{A1}

31 ÷ 40 dB

39 ÷ 54 dB

36 ÷ 41 dB

46 ÷ 51 dB

Fire resistance

-

-

EI 15 / EI 30 / EI 60

EI 30 / EI 60

Approval

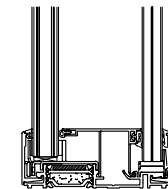
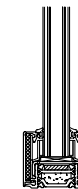
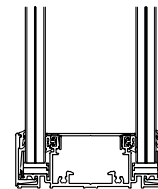
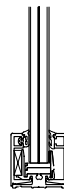
CE / ETA

CE / ETA

CE / ETA

CE / ETA

Section



^a according to EAD 210005-00-0505
^{b, c, d, e, f} muntin wall

Glass door



Urban Slim door



Urban Plus door



Purian door



Wooden door

Durability^a

Class 6 (200.000 cycles)

Max. door leaf width	1000 mm				
Max. door leaf height	2600 mm	2800 mm	3000 mm	3000 mm	3000 mm
Type of glass / Type of filling	ESG 8, 10	VSG 44.1, 44.2, 55.1, 55.2	VSG 33.1, 33.2, 44.1, 44.2, 55.1, 55.2	ESG 4, 6; VSG 44.2	full / glazed
Acoustic parameters R _w	24 ÷ 33 dB	35 ÷ 39 dB	35 ÷ 43 dB	36 ÷ 43 dB	33 ÷ 41 dB
Acoustic parameters R _{A1}	24 ÷ 31 dB	34 ÷ 38 dB	34 ÷ 42 dB	35 ÷ 42 dB	32 ÷ 40 dB
Material / finish	Anodized / RAL aluminium	Anodized / RAL aluminium	Anodized / RAL aluminium	Anodized / RAL aluminium	Veneer / Laminate / Varnish

^aClassification in accordance with EN 12400

