



Best solutions in panic situations.

System solutions for
tubular-, and full frame doors.

Tubular frame door

Panic

DIN EN 179 DIN EN 1125

single-leaf



- [Standard](#) Page 10
- [with additional upper latch](#) Page 12

double-leaf



- [Standard](#) Page 14
- [with additional upper latch](#) Page 16
- [Standard with electric strike](#) Page 18
- [with electric strike for both-side automatic doors](#) Page 20

SI-Panic

DIN EN 179 DIN EN 1125

single-leaf



- [Standard](#) Page 22

double-leaf



- [Standard](#) Page 24

Full frame door

Panic

DIN EN 179 DIN EN 1125

single-leaf



- [Standard](#) Page 26

double-leaf



- [Standard](#) Page 28

SI-Panic

DIN EN 179 DIN EN 1125

single-leaf



- [Standard](#) Page 30

double-leaf



- [Standard](#) Page 32

Accessories

- [Push-Bars/Panic-Bars](#) Page 34
- [Mortise locks for tubular frame doors](#) Page 38
- [Self-locking \(SI\) panic locks](#) Page 51
- [Mortise locks for full frame doors](#) Page 56
- [Strike plates](#) Page 60
- [Accessories](#) Page 62



One dimension for all.

Standard dimensioned mortise locks – also acc. to DIN EN 179 + DIN EN 1125.

- standard distance 92 mm
- for all ranges of use
 - standard tubular frame doors
 - smoke resistant doors
 - fire resistant doors
- for all versions
 - mortise lock
 - security mortise lock
 - panic mortise lock
- easy installation
- maximum safety
- comfortable handling

The standard dimension for all mortise locks simplifies the installation and enables the belated backfitting.

Automatically locked.

Self-locking panic locks

- locks automatically after shutting the door
- certified acc. to DIN EN 179 and 1125
- mechanical or electromotive version available
- also available as multi-point-lock
- usable at stand-alone-mode
- integrable to existing security- and trackingsystems
- mechanical locking function of motor locks during a power outage
- suitable for tubular frame doors with small backsets (from 35 mm)

The mechanical locking function of the motor locks guarantees maximum security also during a power outage.



Eliminates panic.

Panic push-bar acc. to DIN EN 1125.

- space-saving design with low installation height, also for small leaf widths
- high passage way width by little projection dimension
- minimum effort on every point of the push-area
- extensive resistance against abuse and vandalism
- adjustable bedstops prevent overloading of the inner parts
- compensation of installation tolerances due to safe fastening by clearance holes with bolts
- right and left hand usable
- patented telescope-profile

The innovative fastening guarantees an optimal adaption to every WSS lock and warrants a clean functionality on the highest standard.

Lean solution for electric opening.

Panic counterbox with integrated electric strike acc. to DIN EN 179 and DIN EN 1125.

- lean version for use in standard profiles
- self-locking, for use with top lock
- various backsets
- also for use with both-side automatical door drives
 - barrier-free building

The lean version enables the symmetric door creation, because there is no need to equip the passive-leaf with an additional forend profile.

DIN-standards for emergency exits and panic doors.

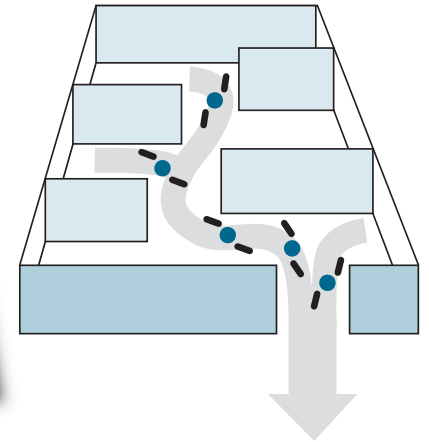
DIN EN 179: Emergency exit devices with handle or push-plate

■ **Application area:**

For application in buildings, in which the emerging of a panic situation is rather improbable. The persons in these buildings should be familiar with the emergency exits and the fittings. Precise examples are not mentioned in the DIN EN 179

■ **Actuation:**

by handle or push-plate



DIN EN 1125: Panic devices with horizontal push-bar for emergency exit doors.

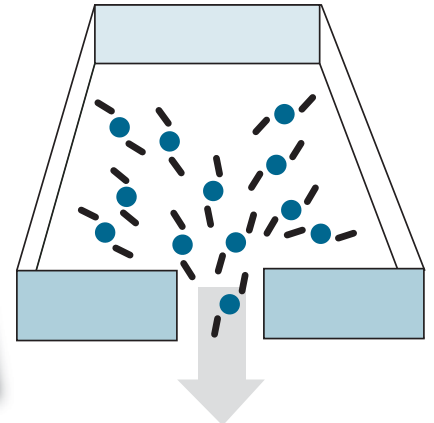
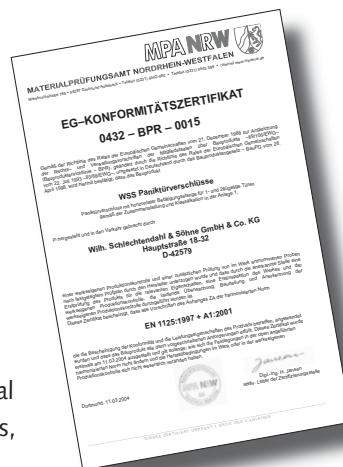


■ **Application area:**

For application in buildings, in which the emerging of a panic situation is probable. There must be a safe escape opportunity - also without knowing the fittings - by initial load (pressure). Possible application areas can be cinemas, concert halls, public authorities and so on.

■ **Actuation:**

by horizontal panic push-bar or panic-bar



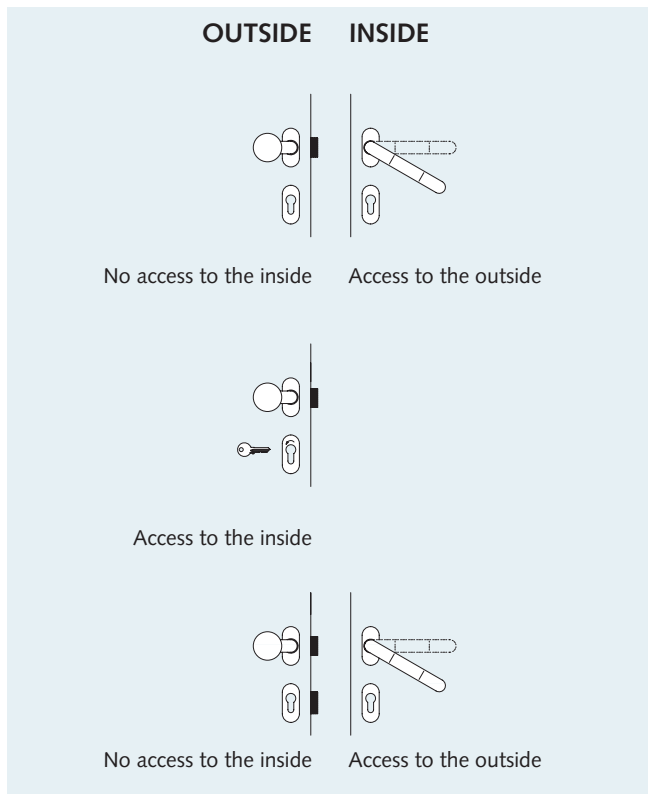
Please notice:

Lock and fittings have always to be proven and certified together. The accommodation to several profile systems can only be done by the fitting manufacturer.

Locking functions of mortise-, and panic mortise locks

■ Panic lock with locking function E (Latch lever function)

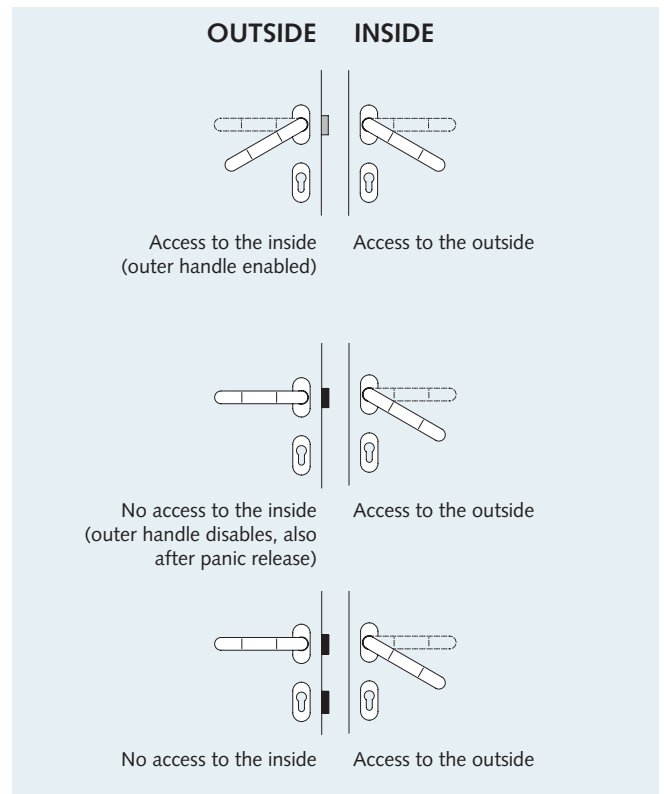
The dead bolt and the latch bolt are switched back by key from the outside. The door is **open** now. But the door can be opened any time **by the handle** (from the inside), even **when the dead bolt is locked**. After a panic release and shutting the door, the door is **still not accessible by the outer handle**. Admittedly the door is only locked by the latch bolt, because the dead bolt stays inside the lock case until locking by key.



■ Usage reference
For doors where an unauthorized access from the outside must always be prevented. The door cannot accidentally be unlocked, because after shutting the door, the opening from the outside is only possible by key.

■ Panic lock with locking function B (Switching function with dead bolt)

To **open** the door **from the outside**, the outer handle must be enabled by **key** (key must be turned in **opening-direction to the end position**). Now the door is accessible from the inside and the outside. If the key is turned to closing direction until the dead bolt is locked and then taken out of the cylinder, the **outer handle switches automatically into idling mode**. But the **door can be opened any time by inner handle, even without a key**. After panic release from the inside and shutting the door, the door is still **not accessible from the outside** (locked).

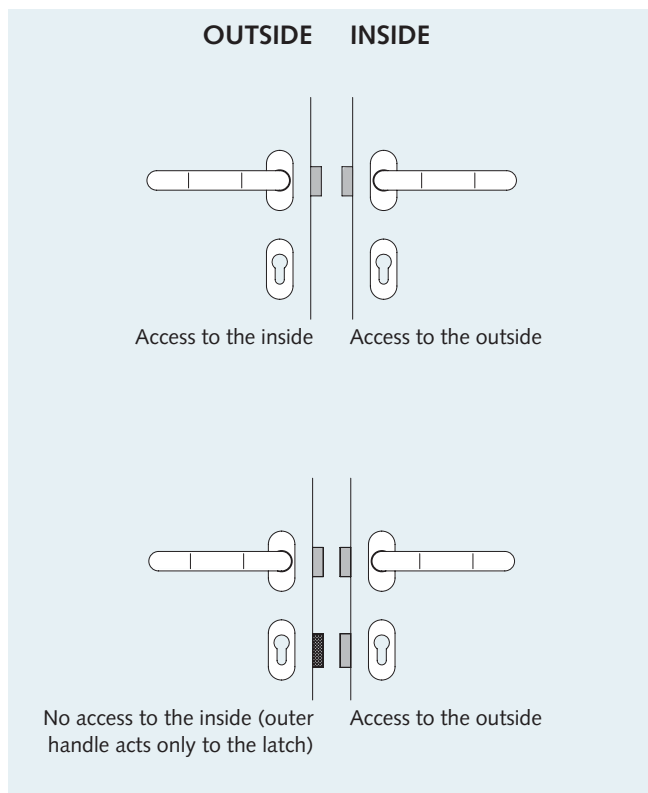


■ Usage reference
For doors which must allow a temporary access from the inside and the outside. After a panic release from the inside, the outer handle is still in idling mode.

Instructions for safed latch arrester

■ Panic lock with locking function D (Passage function)

To open the door **from the outside**, the dead bolt can be switched back by the key and the latch can be switched back by the outer handle. The door is now **accessible from the inside and the outside**. If the dead bolt is locked by key the door is not accessible from the outside anymore, because the door is held by the dead bolt. But the door is accessible **any time from the inside by handle**, even **without a key**. **After panic release** (from the inside) and **shutting the door**, the door is accessible from the outside (open).



■ Usage reference

For doors, which must allow a temporary access from the inside and the outside.

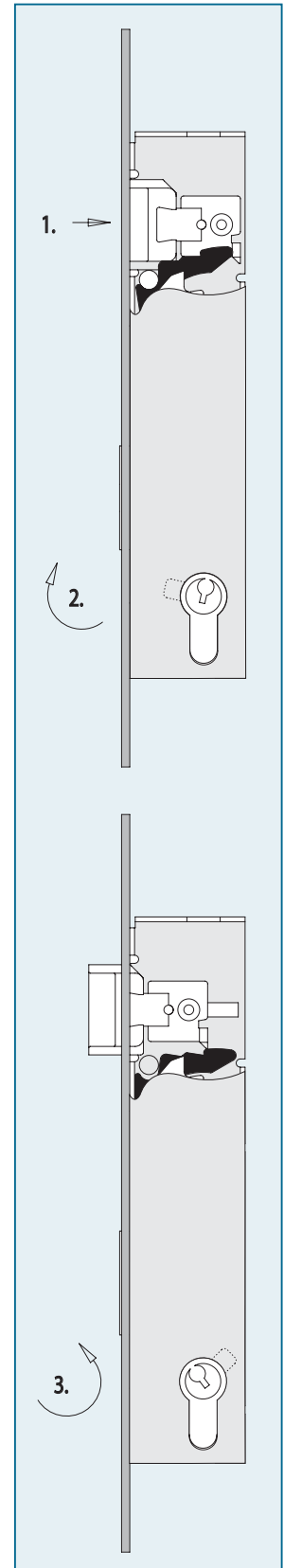
After a panic release from the inside the door is accessible from the outside, e.g. to allow an easy access for rescue staff.

■ Instructions for safed latch arrester

Activation of safed latch arrester:

1. The latch must be pushed in into end position by hand (not by the handle). Keep in that position until step 3 is done.
2. Turn the key in opening direction to end position.
3. Pull the key out of the cylinder.

The latch is arrested!



Deactivation of safed latch arrester:

1. The latch must be pushed in into end position by hand (not by the handle). Keep in that position until step 2 is done.
2. Lock the dead bolt by key. The latch is free!



WSS

Panic device, certified acc. to DIN EN 179 + DIN EN 1125

Panic device 1

- for single-leaf doors (max. 1.300 x 2.500 mm)
- Normal version

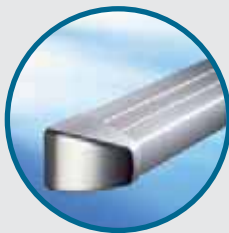


DIN EN
179



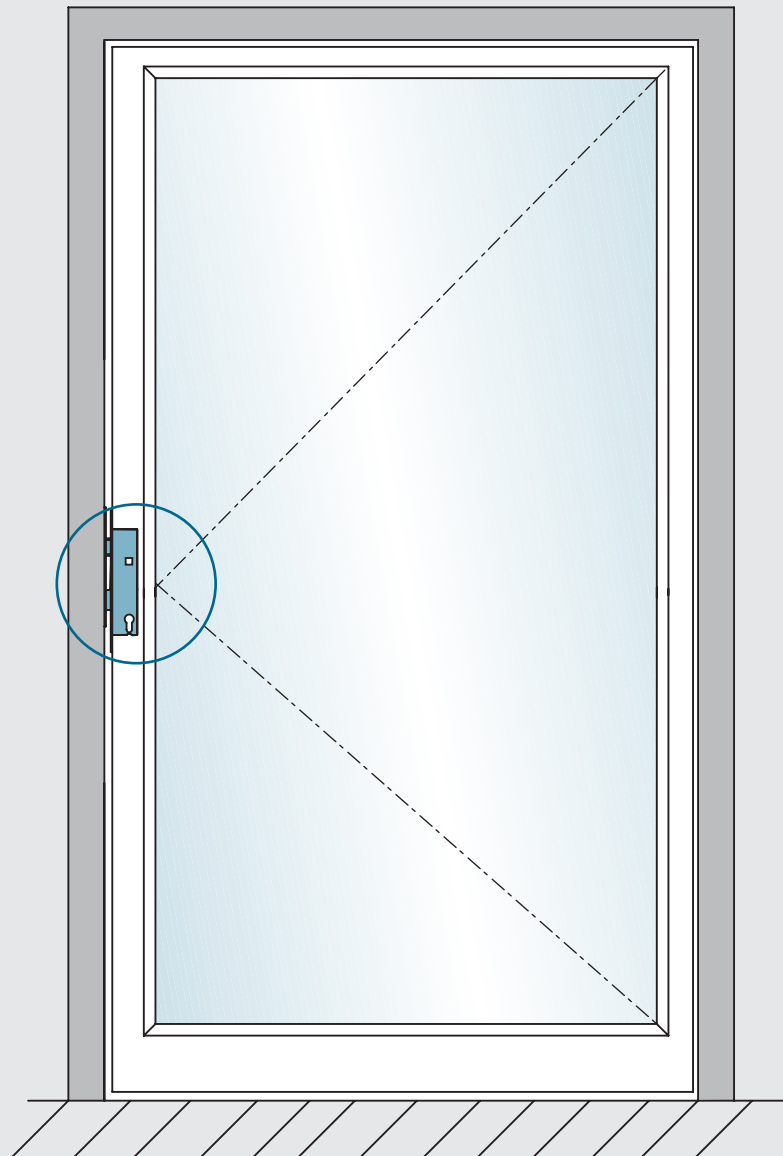
DIN EN
1125

from page 36



DIN EN
1125

from page 34



Panic-device 1



Consisting of:

- Panic lock (function E, D, B) with stainless steel front plate
- Strike plate

Locking function E (Latch lever function)

Art.-No.	Direction	Backset	Front plate
01.200.3000.---	DIN right	30	Flat front plate
01.200.3500.---	DIN right	35	Flat front plate
01.200.4000.---	DIN right	40	Flat front plate
01.200.4500.---	DIN right	45	Flat front plate
01.200.3400.---	DIN right	34	U-shape front plate
01.201.3000.---	DIN left	30	Flat front plate
01.201.3500.---	DIN left	35	Flat front plate
01.201.4000.---	DIN left	40	Flat front plate
01.201.4500.---	DIN left	45	Flat front plate
01.201.3400.---	DIN left	34	U-shape front plate

Panic-device version codes	
000	Independent of profile system
001	Strike plate, closed for outward opening doors Please specify the profile series!
002	Strike plate for electric strike, for outward opening doors Please specify the profile series!

Further options:

- 01) prepared for KABA-/KESO cylinder
- 16) Micro-switch for dead bolt control
- 59) Safed latch arrester

Accessories Suitable door handles see TK 1 chapter 2.

Locking function D (Passage function)

Art.-No.	Direction	Backset	Front plate
01.202.3000.---	DIN right	30	Flat front plate
01.202.3500.---	DIN right	35	Flat front plate
01.202.4000.---	DIN right	40	Flat front plate
01.202.4500.---	DIN right	45	Flat front plate
01.202.3400.---	DIN right	34	U-shape front plate
01.203.3000.---	DIN left	30	Flat front plate
01.203.3500.---	DIN left	35	Flat front plate
01.203.4000.---	DIN left	40	Flat front plate
01.203.4500.---	DIN left	45	Flat front plate
01.203.3400.---	DIN left	34	U-shape front plate

Locking function B (Switching function)

Art.-No.	Direction	Backset	Front plate
01.204.3000.---	DIN right	30	Flat front plate
01.204.3500.---	DIN right	35	Flat front plate
01.204.4000.---	DIN right	40	Flat front plate
01.204.4500.---	DIN right	45	Flat front plate
01.204.3400.---	DIN right	34	U-shape front plate
01.205.3000.---	DIN left	30	Flat front plate
01.205.3500.---	DIN left	35	Flat front plate
01.205.4000.---	DIN left	40	Flat front plate
01.205.4500.---	DIN left	45	Flat front plate
01.205.3400.---	DIN left	34	U-shape front plate



WSS

Panic device, certified acc. to DIN EN 179 + DIN EN 1125

Panic device 2

- for single-leaf doors (max. 1.300 x 2.500 mm)
- with additional interlock

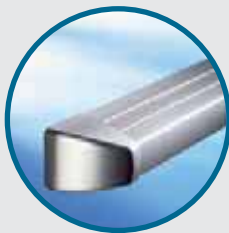


DIN EN
179



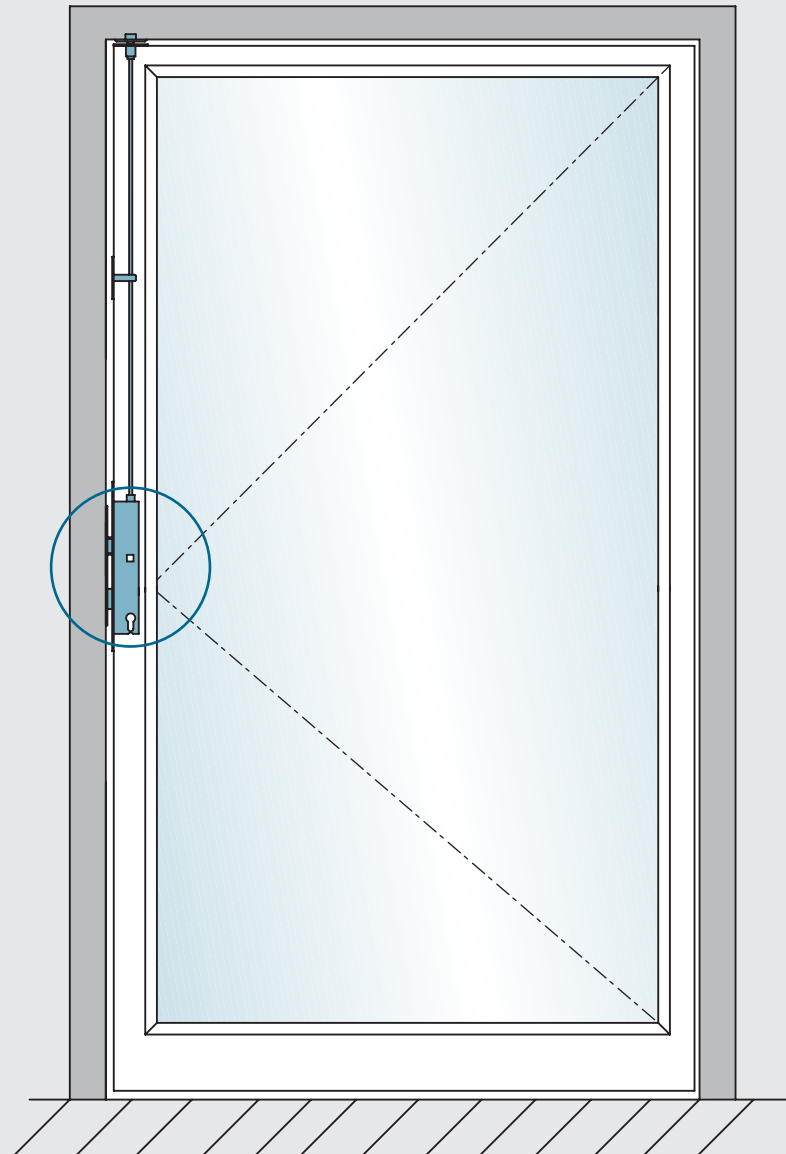
DIN EN
1125

from page 36



DIN EN
1125

from page 34



Panic-device 2



Consisting of:

- Panic lock (function E, B) with stainless steel front plate
- Strike plate
- Connection rod for additional interlock (Standard length 1.550 mm)
- Latch for additional interlock
- Locking hutch for additional interlock (top)
- Rod guide

Locking function E (Latch lever function)

Art.-No.	Direction	Backset	Front plate
01.206.3000.---	DIN right	30	Flat front plate
01.206.3500.---	DIN right	35	Flat front plate
01.206.4000.---	DIN right	40	Flat front plate
01.206.4500.---	DIN right	45	Flat front plate
01.206.3400.---	DIN right	34	U-shape front plate
01.207.3000.---	DIN left	30	Flat front plate
01.207.3500.---	DIN left	35	Flat front plate
01.207.4000.---	DIN left	40	Flat front plate
01.207.4500.---	DIN left	45	Flat front plate
01.207.3400.---	DIN left	34	U-shape front plate

Panic-device version codes	
000	Independent of profile system
001	Strike plate, closed for outward opening doors Please specify the profile series!
002	Strike plate for electric strike, for outward opening doors Please specify the profile series!

Further options:

- 01) prepared for KABA-/KESO cylinder
- 16) Micro-switch for dead bolt control
- 59) Safed latch arrester

Accessories Suitable door handles see TK 1 chapter 2.

Locking function B (Switching function)

Art.-No.	Direction	Backset	Front plate
01.208.3000.---	DIN right	30	Flat front plate
01.208.3500.---	DIN right	35	Flat front plate
01.208.4000.---	DIN right	40	Flat front plate
01.208.4500.---	DIN right	45	Flat front plate
01.208.3400.---	DIN right	34	U-shape front plate
01.209.3000.---	DIN left	30	Flat front plate
01.209.3500.---	DIN left	35	Flat front plate
01.209.4000.---	DIN left	40	Flat front plate
01.209.4500.---	DIN left	45	Flat front plate
01.209.3400.---	DIN left	34	U-shape front plate

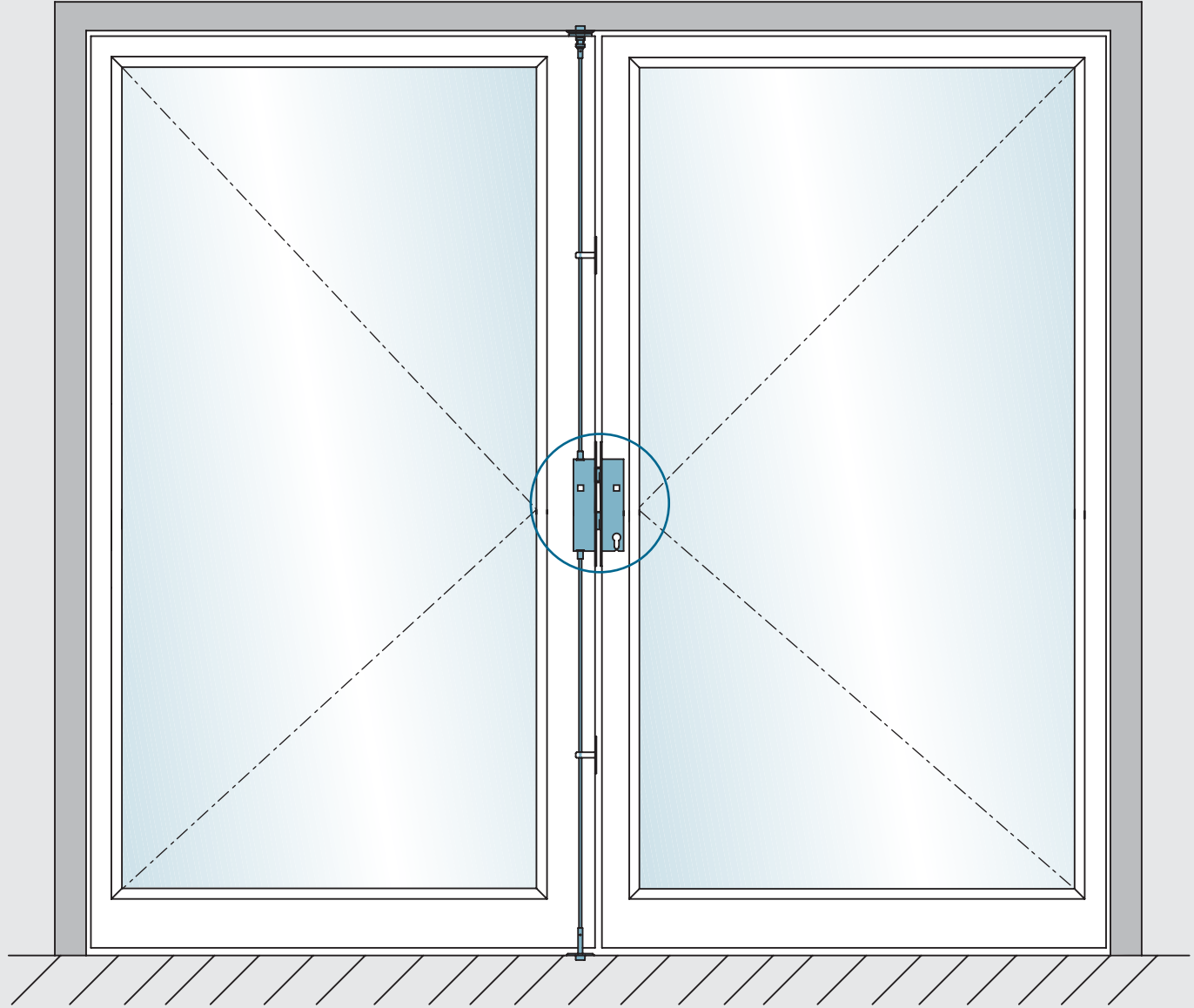


WSS

Panic device, certified acc. to DIN EN 179 + DIN EN 1125

Panic device 3

- for double-leaf doors (each max. 1.300 x 2.500 mm)
- Normal version



**DIN EN
179**

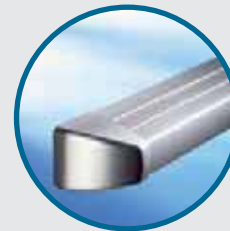


**DIN EN
1125**



from page 36

**DIN EN
1125**



from page 34

Panic-device 3



Consisting of:

Active-leaf:

- Panic lock (function E, D, B) with stainless steel front plate

Passive-leaf:

- Panic counter box with stainless steel front plate
- Top lock (Passive-leaf)
- Rod guide top and bottom **optional**
- Connection rod with locking piece top and bottom (Standard length 1.550 mm)
- adjustable locking hutch, top and bottom

Locking function E (Latch lever function)

Art.-No.	Direction	Backset	Front plate
01.210.3000.---	DIN right	30	Flat front plate
01.210.3500.---	DIN right	35	Flat front plate
01.210.4000.---	DIN right	40	Flat front plate
01.210.4500.---	DIN right	45	Flat front plate
01.210.3400.---	DIN right	34	U-shape front plate
01.211.3000.---	DIN left	30	Flat front plate
01.211.3500.---	DIN left	35	Flat front plate
01.211.4000.---	DIN left	40	Flat front plate
01.211.4500.---	DIN left	45	Flat front plate
01.211.3400.---	DIN left	34	U-shape front plate

Locking function D (Passage function)

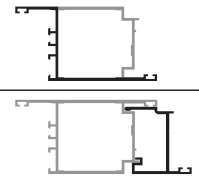
Art.-No.	Direction	Backset	Front plate
01.212.3000.---	DIN right	30	Flat front plate
01.212.3500.---	DIN right	35	Flat front plate
01.212.4000.---	DIN right	40	Flat front plate
01.212.4500.---	DIN right	45	Flat front plate
01.212.3400.---	DIN right	34	U-shape front plate
01.213.3000.---	DIN left	30	Flat front plate
01.213.3500.---	DIN left	35	Flat front plate
01.213.4000.---	DIN left	40	Flat front plate
01.213.4500.---	DIN left	45	Flat front plate
01.213.3400.---	DIN left	34	U-shape front plate

Locking function B (Switching function)

Art.-No.	Direction	Backset	Front plate
01.214.3000.---	DIN right	30	Flat front plate
01.214.3500.---	DIN right	35	Flat front plate
01.214.4000.---	DIN right	40	Flat front plate
01.214.4500.---	DIN right	45	Flat front plate
01.214.3400.---	DIN right	34	U-shape front plate
01.215.3000.---	DIN left	30	Flat front plate
01.215.3500.---	DIN left	35	Flat front plate
01.215.4000.---	DIN left	40	Flat front plate
01.215.4500.---	DIN left	45	Flat front plate
01.215.3400.---	DIN left	34	U-shape front plate

Panic-device version codes

- 000** Independent of profile system
- 003** Passive-leaf with Z-profile
Please specify the profile series!
- 004** Passive-leaf with forend profile
Please specify the profile series!



Further options:

- 01) prepared for KABA-/KESO cylinder
- 16) Micro-switch for dead bolt control
- 59) Safed latch arrester

Accessories Suitable door handles see TK 1 chapter 2.

Information We suggest the installation of an actuator hatch!!!!
There are also special versions of counterboxes available with backsets deviating from the main lock.

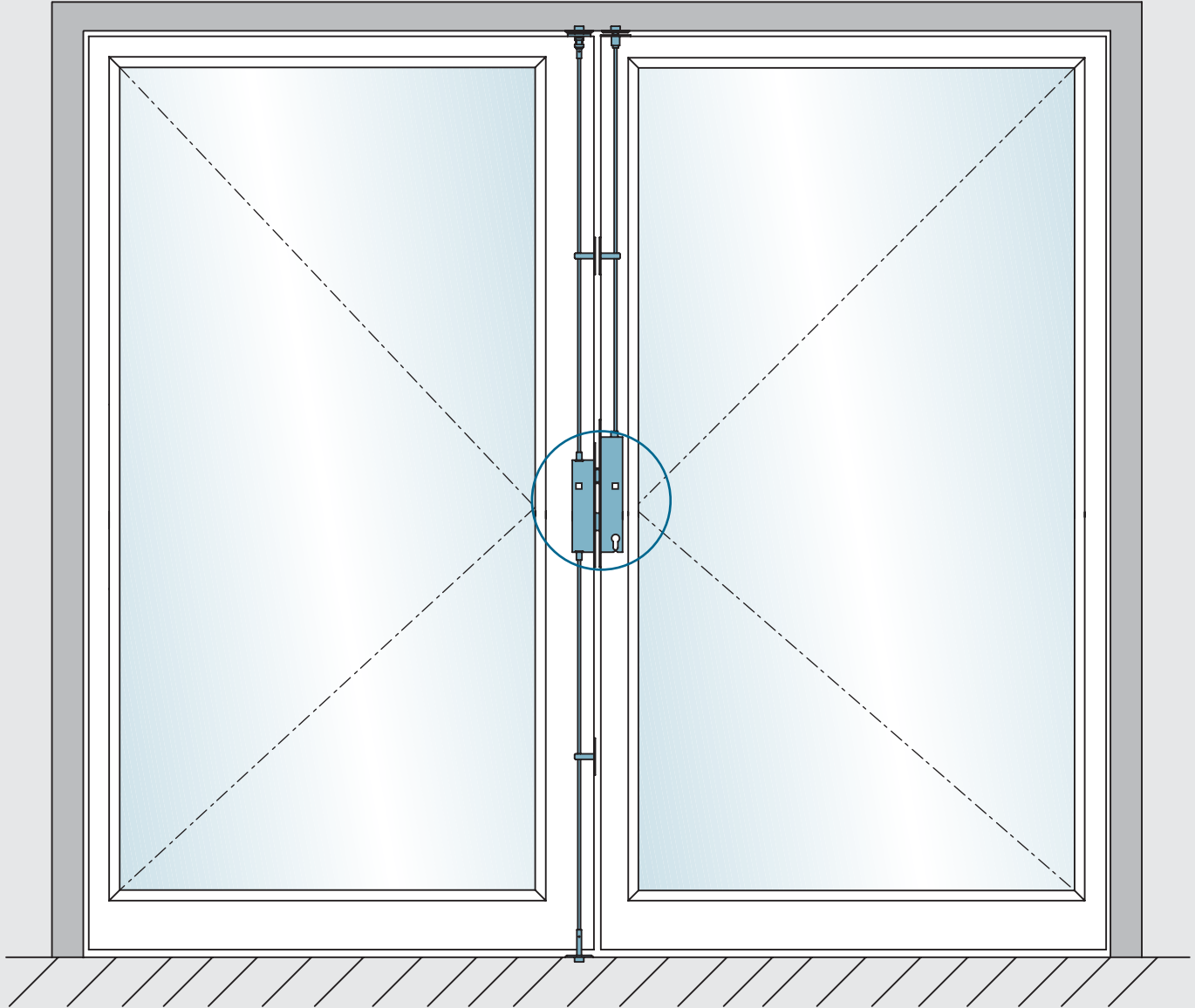


WSS

Panic device, certified acc. to DIN EN 179 + DIN EN 1125

Panic device 4

- for double-leaf doors (each max. 1.300 x 2.500 mm)
- with additional interlock



**DIN EN
179**

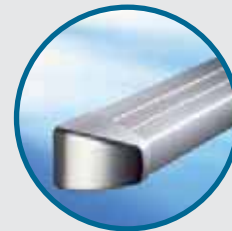


**DIN EN
1125**



from page 36

**DIN EN
1125**



from page 34

Panic-device 4



Consisting of:

Active-leaf:

- Panic lock (function E, B) with stainless steel front plate
- Connection rod for additional interlock (Standard length 1.550 mm)
- Latch for additional interlock
- Rod guide
- adjustable locking hutch for additional interlock

Passive-leaf:

- Panic counter box with stainless steel front plate
- Top lock (Passive-leaf)
- Rod guide top and bottom optional
- Connection rod with locking piece top and bottom (Standard length 1.550 mm)
- adjustable locking hutch, top and bottom

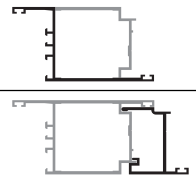
Locking function E (Latch lever function)

Art.-No.	Direction	Backset	Front plate
01.216.3000.---	DIN right	30	Flat front plate
01.216.3500.---	DIN right	35	Flat front plate
01.216.4000.---	DIN right	40	Flat front plate
01.216.4500.---	DIN right	45	Flat front plate
01.216.3400.---	DIN right	34	U-shape front plate
01.217.3000.---	DIN left	30	Flat front plate
01.217.3500.---	DIN left	35	Flat front plate
01.217.4000.---	DIN left	40	Flat front plate
01.217.4500.---	DIN left	45	Flat front plate
01.217.3400.---	DIN left	34	U-shape front plate

Locking function B (Switching function)

Art.-No.	Direction	Backset	Front plate
01.218.3000.---	DIN right	30	Flat front plate
01.218.3500.---	DIN right	35	Flat front plate
01.218.4000.---	DIN right	40	Flat front plate
01.218.4500.---	DIN right	45	Flat front plate
01.218.3400.---	DIN right	34	U-shape front plate
01.219.3000.---	DIN left	30	Flat front plate
01.219.3500.---	DIN left	35	Flat front plate
01.219.4000.---	DIN left	40	Flat front plate
01.219.4500.---	DIN left	45	Flat front plate
01.219.3400.---	DIN left	34	U-shape front plate

Panic-device version codes	
000	Independent of profile system
003	Passive-leaf with Z-profile Please specify the profile series!
004	Passive-leaf with forend profile Please specify the profile series!



Further options:

- 01) prepared for KABA-/KESO cylinder
- 16) Micro-switch for dead bolt control
- 59) Safed latch arrester

Accessories	Suitable door handles see TK 1 chapter 2.
Information	We suggest the installation of an actuator hatch!!!! There are also special versions of counterboxes available with backsets deviating from the main lock.

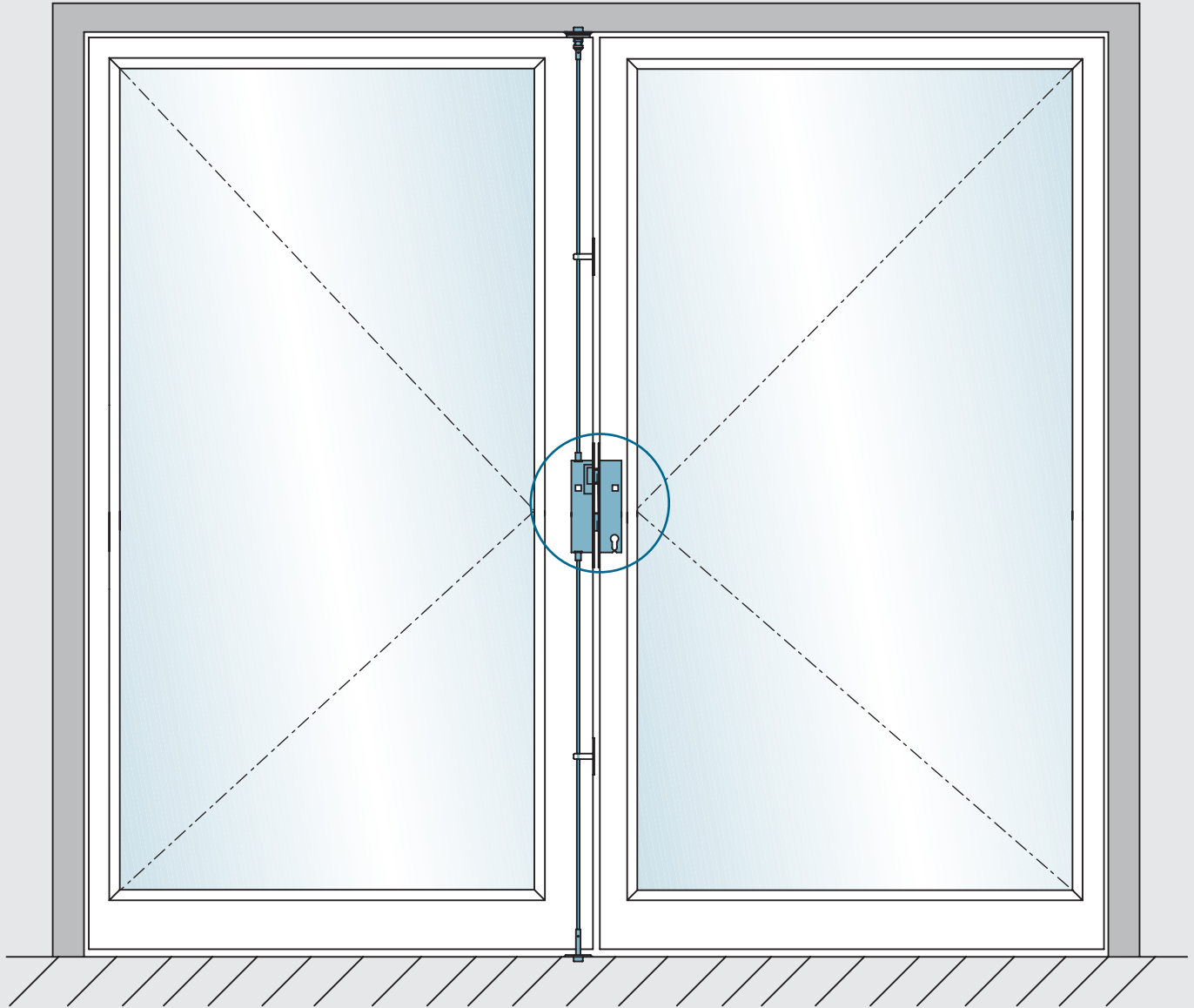


WSS

Panic device, certified acc. to DIN EN 179 + DIN EN 1125

Panic device 5

- for double-leaf doors (each max. 1.300 x 2.500 mm)
- Normal version



**DIN EN
179**

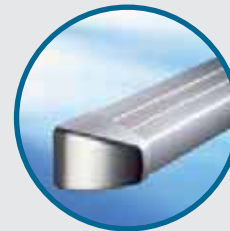


**DIN EN
1125**



from page 36

**DIN EN
1125**



from page 34

Panic-device 5



Consisting of:

Active-leaf:

- Panic lock (function E, B) with stainless steel front plate

Passive-leaf:

- Panic counter box with stainless steel front plate, with electric strike
- Top lock (Passive-leaf)
- Rod guide top and bottom optional
- Connection rod with locking piece top and bottom (Standard length 1.550 mm)
- adjustable locking hutch, bottom

Locking function E (Latch lever function)

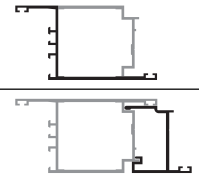
Art.-No.	Direction	Backset	Front plate
01.220.3000.---	DIN right	30	Flat front plate
01.220.3500.---	DIN right	35	Flat front plate
01.220.4000.---	DIN right	40	Flat front plate
01.220.4500.---	DIN right	45	Flat front plate
01.220.3400.---	DIN right	34	U-shape front plate
01.221.3000.---	DIN left	30	Flat front plate
01.221.3500.---	DIN left	35	Flat front plate
01.221.4000.---	DIN left	40	Flat front plate
01.221.4500.---	DIN left	45	Flat front plate
01.221.3400.---	DIN left	34	U-shape front plate

Locking function B (Switching function)

Art.-No.	Direction	Backset	Front plate
01.222.3000.---	DIN right	30	Flat front plate
01.222.3500.---	DIN right	35	Flat front plate
01.222.4000.---	DIN right	40	Flat front plate
01.222.4500.---	DIN right	45	Flat front plate
01.222.3400.---	DIN right	34	U-shape front plate
01.223.3000.---	DIN left	30	Flat front plate
01.223.3500.---	DIN left	35	Flat front plate
01.223.4000.---	DIN left	40	Flat front plate
01.223.4500.---	DIN left	45	Flat front plate
01.223.3400.---	DIN left	34	U-shape front plate

Panic-device version codes

- 000** Independent of profile system
- 003** Passive-leaf with Z-profile
Please specify the profile series!
- 004** Passive-leaf with forend profile
Please specify the profile series!



Further options:

- 01) prepared for KABA-/KESO cylinder
- 16) Micro-switch for dead bolt control
- 32) With feedback signal
- 59) Safed latch arrester

Accessories Suitable door handles see TK 1 chapter 2.

Information We suggest the installation of an actuator hatch!!!!
There are also special versions of counterboxes available with backsets deviating from the main lock.

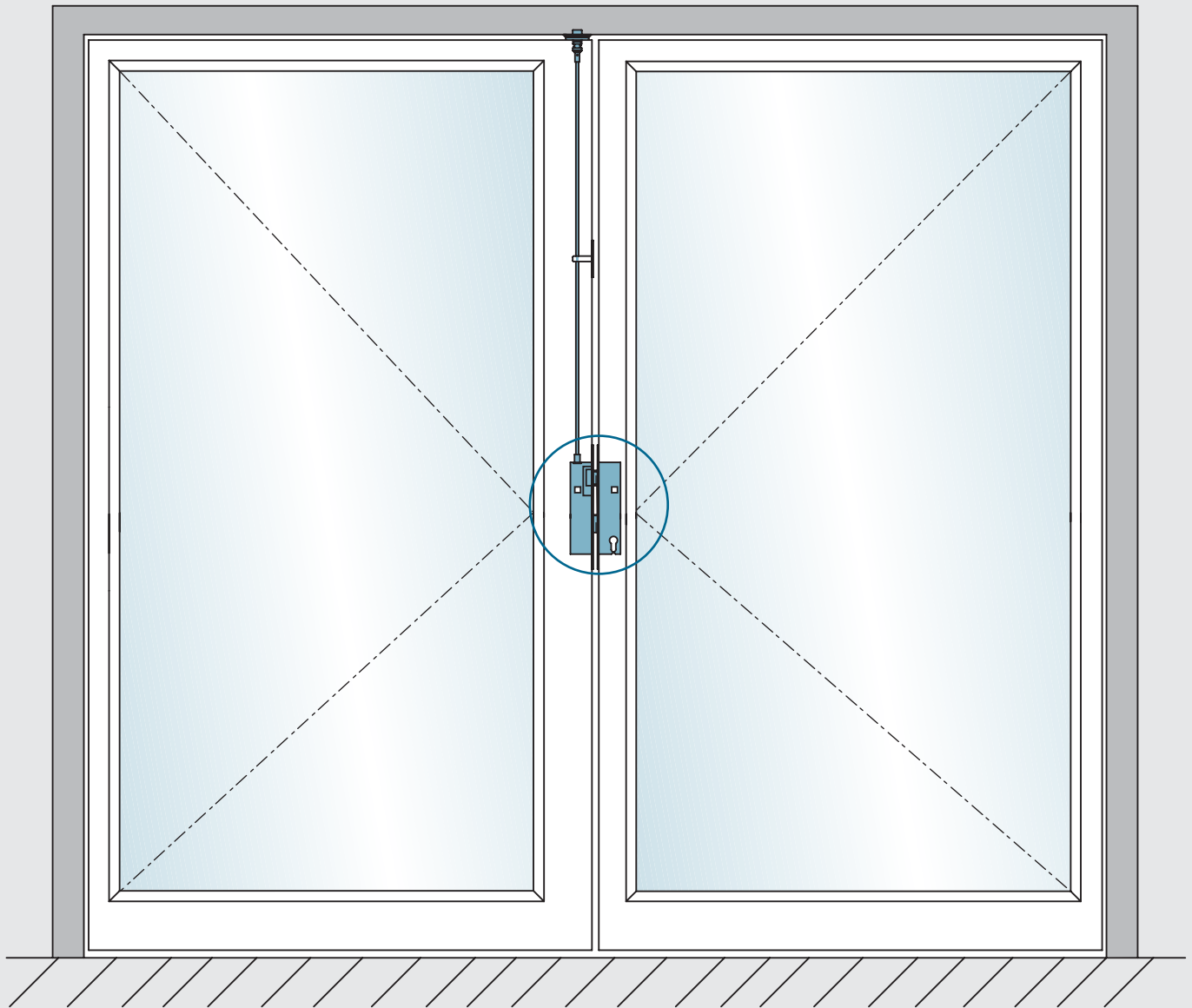


WSS

Panic device, certified acc. to DIN EN 179 + DIN EN 1125

Panic device 6

- for double-leaf doors (each max. 1.300 x 2.500 mm)
- for both-sided automatically drives
- for additional interlock



**DIN EN
179**

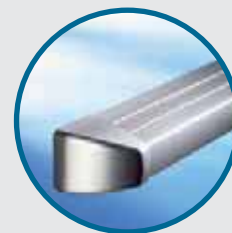


**DIN EN
1125**



from page 36

**DIN EN
1125**



from page 34

Panic-device 6



Consisting of:

Active-leaf:

- Panic lock (function E, B) with stainless steel front plate
- Micro-switch for dead bolt control

Passive-leaf:

- Panic counter box with stainless steel front plate, with electric strike
- Snap-in (Passive-leaf)
- Rod guide, top
- Connection rod with adaption piece (Standard length 1.550 mm)
- Electric strike, horizontal (to be ordered separately)

Locking function E (Latch lever function)

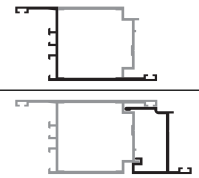
Art.-No.	Direction	Backset	Front plate
01.224.3000.---	DIN right	30	Flat front plate
01.224.3500.---	DIN right	35	Flat front plate
01.224.4000.---	DIN right	40	Flat front plate
01.224.4500.---	DIN right	45	Flat front plate
01.224.3400.---	DIN right	34	U-shape front plate
01.225.3000.---	DIN left	30	Flat front plate
01.225.3500.---	DIN left	35	Flat front plate
01.225.4000.---	DIN left	40	Flat front plate
01.225.4500.---	DIN left	45	Flat front plate
01.225.3400.---	DIN left	34	U-shape front plate

Locking function B (Switching function)

Art.-No.	Direction	Backset	Front plate
01.226.3000.---	DIN right	30	Flat front plate
01.226.3500.---	DIN right	35	Flat front plate
01.226.4000.---	DIN right	40	Flat front plate
01.226.4500.---	DIN right	45	Flat front plate
01.226.3400.---	DIN right	34	U-shape front plate
01.227.3000.---	DIN left	30	Flat front plate
01.227.3500.---	DIN left	35	Flat front plate
01.227.4000.---	DIN left	40	Flat front plate
01.227.4500.---	DIN left	45	Flat front plate
01.227.3400.---	DIN left	34	U-shape front plate

Panic-device version codes

- 000** Independent of profile system
- 003** Passive-leaf with Z-profile
Please specify the profile series!
- 004** Passive-leaf with forend profile
Please specify the profile series!



Further options:

- 01) prepared for KABA-/KESO cylinder
- 32) With feedback signal
- 59) Safed latch arrester

Accessories Suitable door handles TK 1 see chapter 2.

Information We suggest the installation of an actuator hatch!!!!
There are also special versions of counterboxes available with backsets deviating from the main lock.



WSS

Self-locking panic device, certified acc. to DIN EN 179 + DIN EN 1125

SI-Panic device 7

- for single-leaf doors (max. 1.300 x 2.500 mm)
- Dead bolt and latch lock automatically after shutting the door
- Normal version

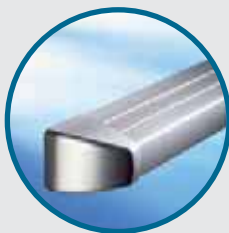


DIN EN
179



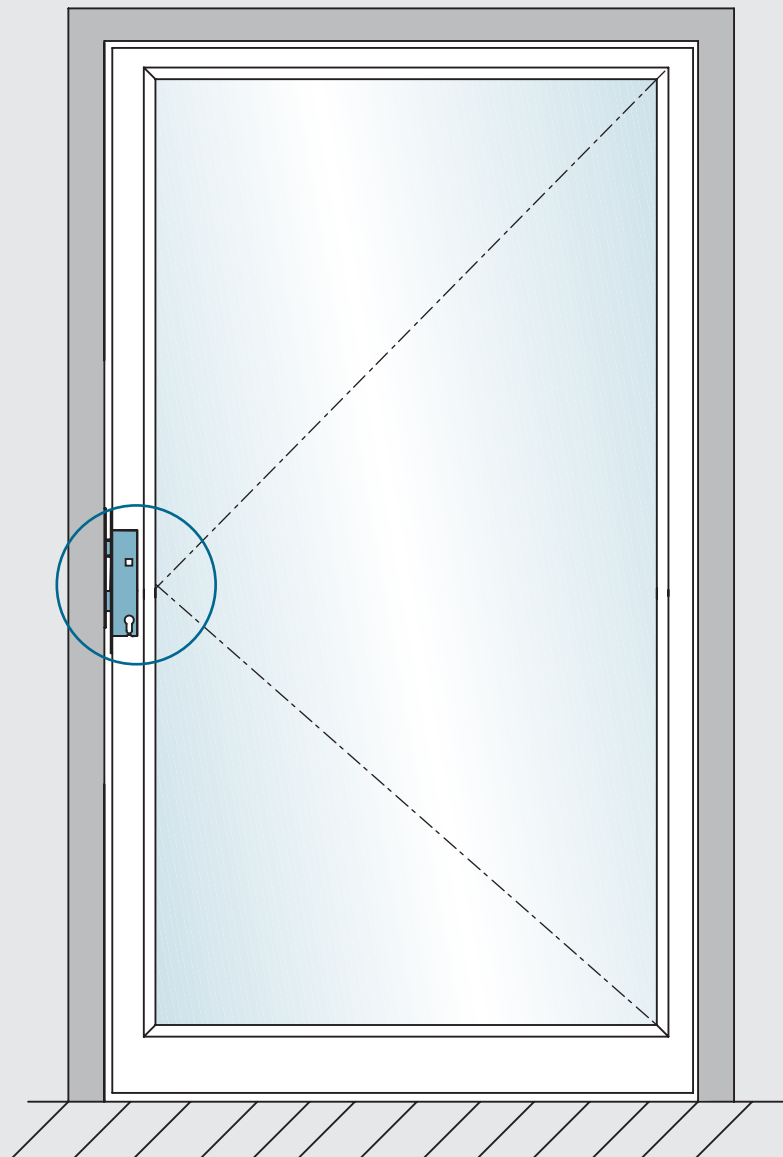
DIN EN
1125

from page 36



DIN EN
1125

from page 34



SI-Panic-device 7



Consisting of:

- SI-Panic lock (function E, B, E-motor driven) with stainless steel front plate
- Strike plate - closed

Locking function E (Latch lever function)

Art.-No.	Direction	Backset	Front plate
01.228.3500.---	DIN right	35	Flat front plate
01.228.4000.---	DIN right	40	Flat front plate
01.228.4500.---	DIN right	45	Flat front plate
01.228.3400.---	DIN right	34	U-shape front plate
01.229.3500.---	DIN left	35	Flat front plate
01.229.4000.---	DIN left	40	Flat front plate
01.229.4500.---	DIN left	45	Flat front plate
01.229.3400.---	DIN left	45	U-shape front plate

Panic-device version codes	
000	Independent of profile system
001	Strike plate, closed for outward opening doors Please specify the profile series!

Further options:

- 01) prepared for KABA-/KESO cylinder
- 16) Micro-switch for dead bolt control
- 112) SI-special function "long-term-open" by dead bolt arrester (by slider)

Accessories Suitable door handles see TK 1 chapter 2.



Locking function B (Switching function)

Art.-No.	Direction	Backset	Front plate
01.230.3500.---	DIN right	35	Flat front plate
01.230.4000.---	DIN right	40	Flat front plate
01.230.4500.---	DIN right	45	Flat front plate
01.230.3400.---	DIN right	34	U-shape front plate
01.231.3500.---	DIN left	35	Flat front plate
01.231.4000.---	DIN left	40	Flat front plate
01.231.4500.---	DIN left	45	Flat front plate
01.231.3400.---	DIN left	45	U-shape front plate

Locking function E-motoric (Latch lever function)

Art.-No.	Direction	Backset	Front plate
01.232.3500.---	DIN right	35	Flat front plate
01.232.4000.---	DIN right	40	Flat front plate
01.232.4500.---	DIN right	45	Flat front plate
01.232.3400.---	DIN right	34	U-shape front plate
01.233.3500.---	DIN left	35	Flat front plate
01.233.4000.---	DIN left	40	Flat front plate
01.233.4500.---	DIN left	45	Flat front plate
01.233.3400.---	DIN left	34	U-shape front plate

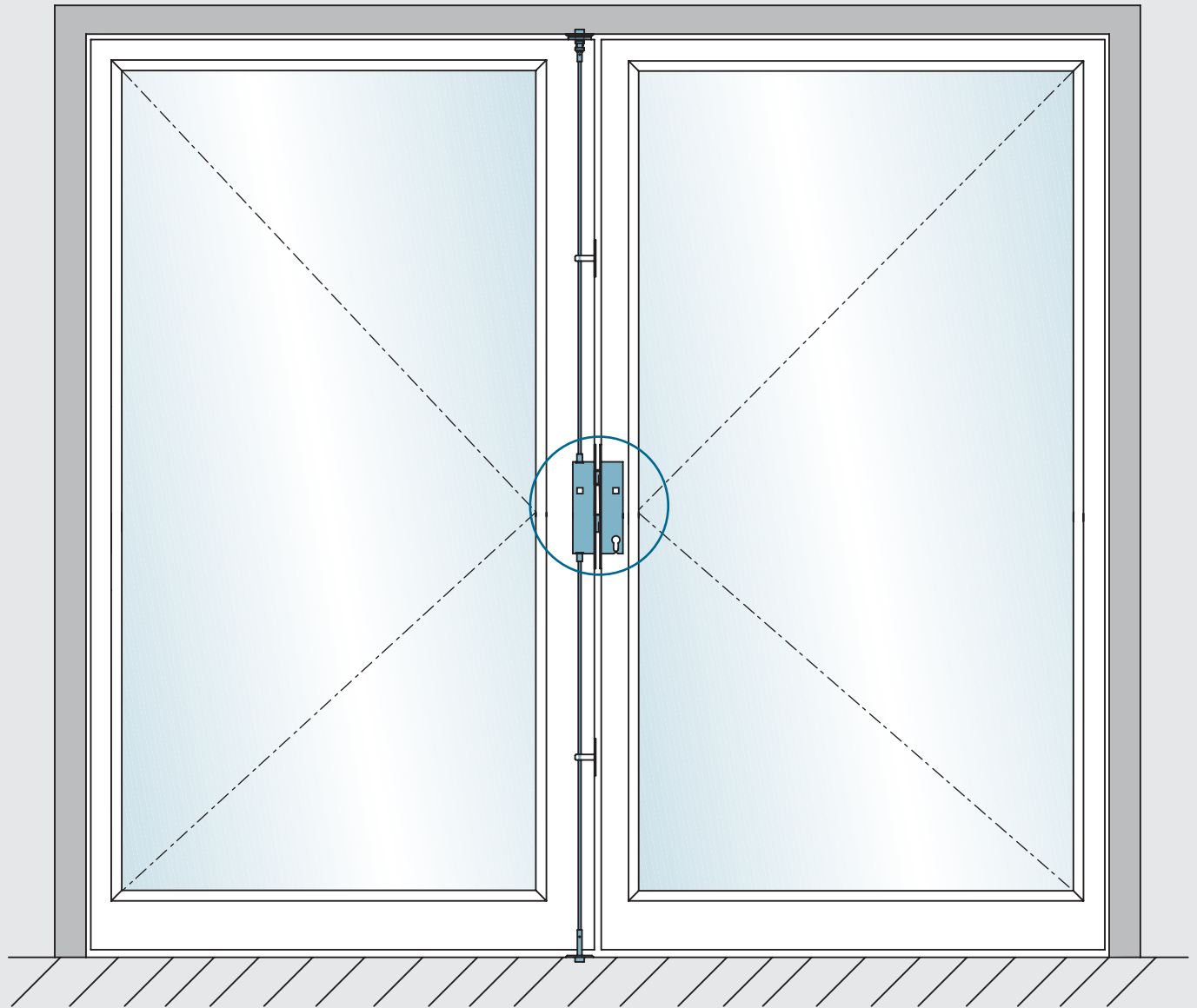


WSS

Self-locking panic device, certified acc. to DIN EN 179 + DIN EN 1125

SI-Panic device 9

- for double-leaf doors (each 1.300 x 2.500 mm)
- Dead bolt and latch lock automatically after shutting the door
- Normal version



**DIN EN
179**

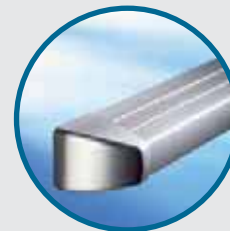


**DIN EN
1125**



from page 36

**DIN EN
1125**



from page 34

SI-Panic-device 9



Consisting of:

Active-leaf:

- SI-Panic lock (function E, B, E-motor driven) with stainless steel front plate

Passive-leaf:

- Panic counter box with stainless steel front plate
- Top lock (Passive-leaf)
- Rod guide top and bottom optional
- Connection rod with locking piece top and bottom (Standard length 1.550 mm)
- adjustable locking hutch, top and bottom

Locking function E (Latch lever function)

Art.-No.	Direction	Backset	Front plate
01.240.3500.---	DIN right	35	Flat front plate
01.240.4000.---	DIN right	40	Flat front plate
01.240.4500.---	DIN right	45	Flat front plate
01.240.3400.---	DIN right	34	U-shape front plate
01.241.3500.---	DIN left	35	Flat front plate
01.241.4000.---	DIN left	40	Flat front plate
01.241.4500.---	DIN left	45	Flat front plate
01.241.3400.---	DIN left	34	U-shape front plate



Locking function B (Switching function)

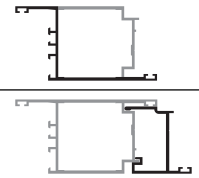
Art.-No.	Direction	Backset	Front plate
01.242.3500.---	DIN right	35	Flat front plate
01.242.4000.---	DIN right	40	Flat front plate
01.242.4500.---	DIN right	45	Flat front plate
01.242.3400.---	DIN right	34	U-shape front plate
01.243.3500.---	DIN left	35	Flat front plate
01.243.4000.---	DIN left	40	Flat front plate
01.243.4500.---	DIN left	45	Flat front plate
01.243.3400.---	DIN left	34	U-shape front plate

Locking function E-motor driven (Latch lever function)

Art.-No.	Direction	Backset	Front plate
01.244.3500.---	DIN right	35	Flat front plate
01.244.4000.---	DIN right	40	Flat front plate
01.244.4500.---	DIN right	45	Flat front plate
01.244.3400.---	DIN right	34	U-shape front plate
01.245.3500.---	DIN left	35	Flat front plate
01.245.4000.---	DIN left	40	Flat front plate
01.245.4500.---	DIN left	45	Flat front plate
01.245.3400.---	DIN left	34	U-shape front plate

Panic-device version codes

- 000** Independent of profile system
- 003** Passive-leaf with Z-profile
Please specify the profile series!
- 004** Passive-leaf with forend profile
Please specify the profile series!



Further options:

- 01) prepared for KABA-/KESO cylinder
- 16) Micro-switch for dead bolt control
- 112) SI-special function "long-term-open" by dead bolt arrester (by slider)

Accessories	Suitable door handles see TK 1 chapter 2.
Information	We suggest the installation of an actuator hatch!!!! There are also special versions of counterboxes available with backsets deviating from the main lock.



WSS

Panic device, certified acc. to DIN EN 179 + DIN EN 1125 for full frame doors

Panic device 1

- for single-leaf doors (max. 1.300 x 2.500 mm)
- Normal version

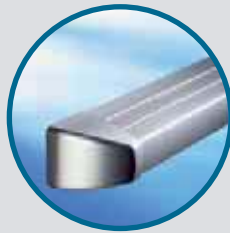


**DIN EN
179**



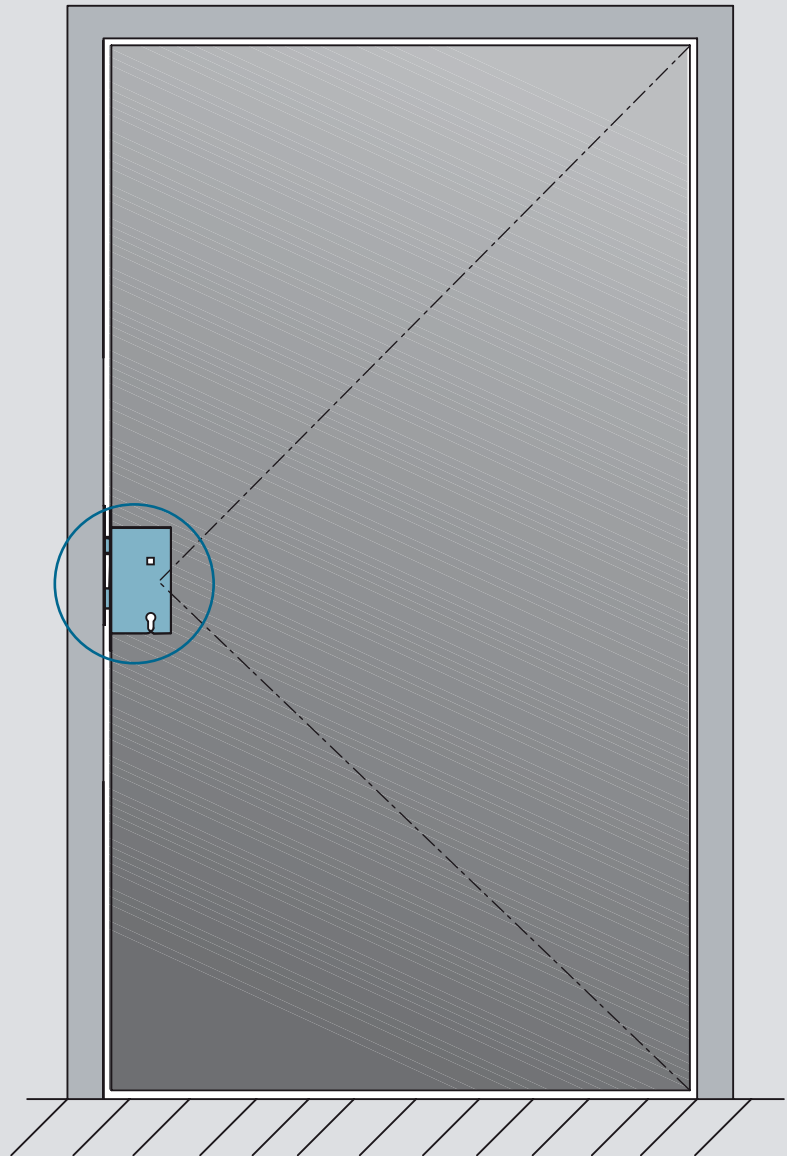
**DIN EN
1125**

from page 36



**DIN EN
1125**

from page 34



Panic-device 1



Consisting of:

- Panic lock (function E, D, B) with stainless steel front plate
- Strike plate - closed

Locking function E (Latch lever function)

Art.-No.	Direction	Backset	Front plate
01.200.6500.000	DIN right	65	Flat front plate
01.201.6500.000	DIN left	65	Flat front plate

Available
08/2008 

Locking function D (Passage function)

Art.-No.	Direction	Backset	Front plate
01.202.6500.000	DIN right	65	Flat front plate
01.203.6500.000	DIN left	65	Flat front plate

Further options:

- 01) prepared for KABA-/KESO cylinder
- 16) Micro-switch for dead bolt control

Information	<p>The specification of the profile system is mandatory!!!!</p> <p>*Electric strike (with certificate)</p>
--------------------	--

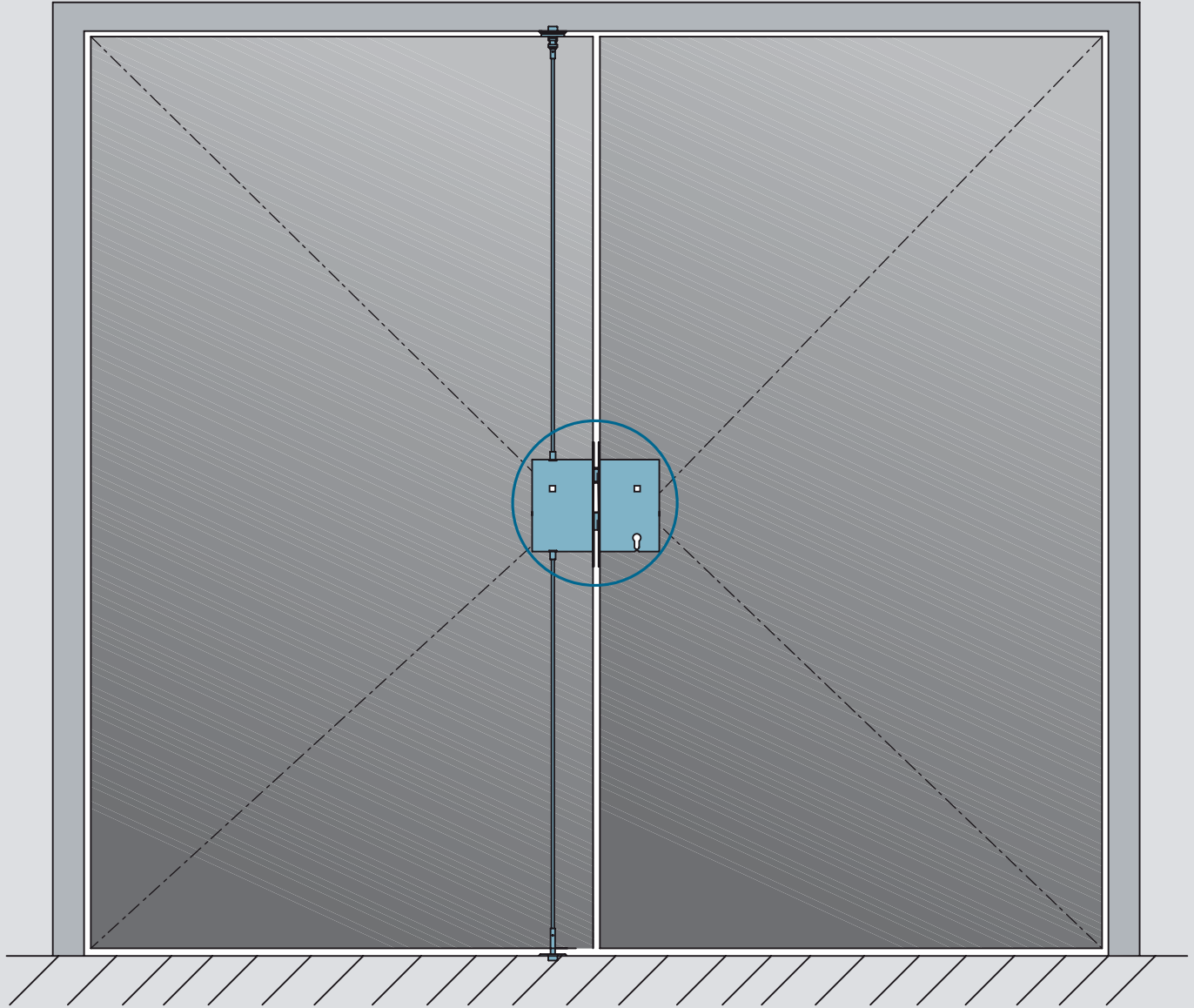


WSS

Panic device, certified acc. to DIN EN 179 + DIN EN 1125 for full frame doors

Panic device 3

- for double-leaf doors (each max. 1.300 x .2500 mm)
- Normal version



**DIN EN
179**

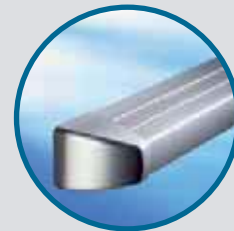


**DIN EN
1125**



from page 36

**DIN EN
1125**



from page 34

Panic-device 3



Consisting of:

Active-leaf:

- Panic lock (function E, D, B) with stainless steel front plate

Passive-leaf:

- Panic counter box with stainless steel front plate
- Top lock (Passive-leaf)
- Connection rod with locking piece top and bottom (Standard length 1.550 mm)
- adjustable locking hutch, top and bottom

Locking function E (Latch lever function)

Art.-No.	Direction	Backset	Front plate
01.210.6500.000	DIN right	65	Flat front plate
01.211.6500.000	DIN left	65	Flat front plate



Locking function D (Passage function)

Art.-No.	Direction	Backset	Front plate
01.212.6500.000	DIN right	65	Flat front plate
01.213.6500.000	DIN left	65	Flat front plate

Further options:

- 01) prepared for KABA-/KESO cylinder
- 16) Micro-switch for dead bolt control

Information	<p>We suggest the installation of an actuator hatch!!!!</p> <p>There are also special versions of counterboxes available with backsets deviating from the main lock.</p>
--------------------	--



WSS

Self-locking panic device, certified acc. to DIN EN 179 + 1125, for full frame doors

SI-Panic device 7

- for single-leaf doors (max. 1.300 x 2.500 mm)
- Dead bolt and latch lock automatically after shutting the door
- Normal version

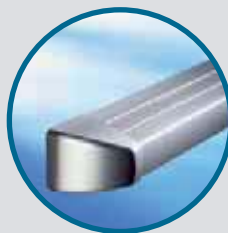


**DIN EN
179**



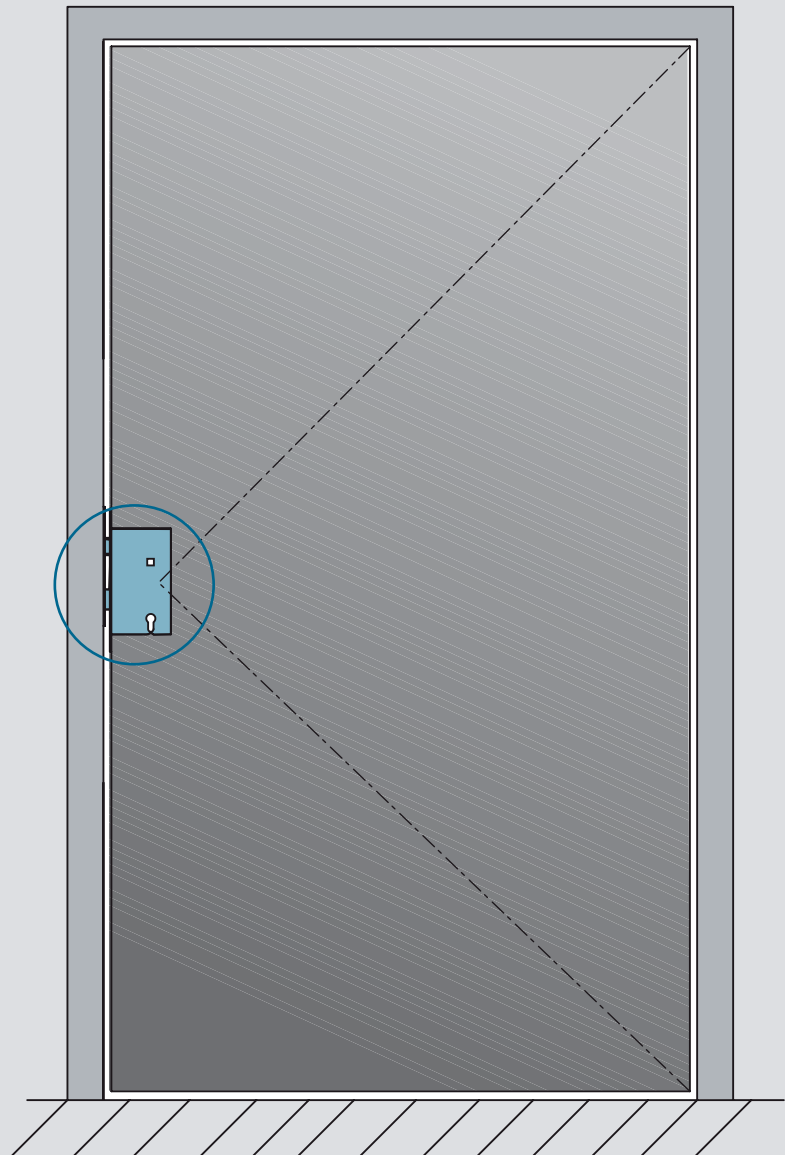
**DIN EN
1125**

from page 36



**DIN EN
1125**

from page 34



SI-Panic-device 7



Consisting of:

- Panic lock (function E) with stainless steel front plate
- Strike plate - closed

Available
08/2008 

Locking function E (Latch lever function)

Art.-No.	Direction	Backset	Front plate
01.228.6500.000	DIN right	65	Flat front plate
01.229.6500.000	DIN left	65	Flat front plate

Further options:

- 01) prepared for KABA-/KESO cylinder
- 16) Micro-switch for dead bolt control

Information	The specification of the profile system is mandatory!!!! * Electric strike (with certificate)
--------------------	--

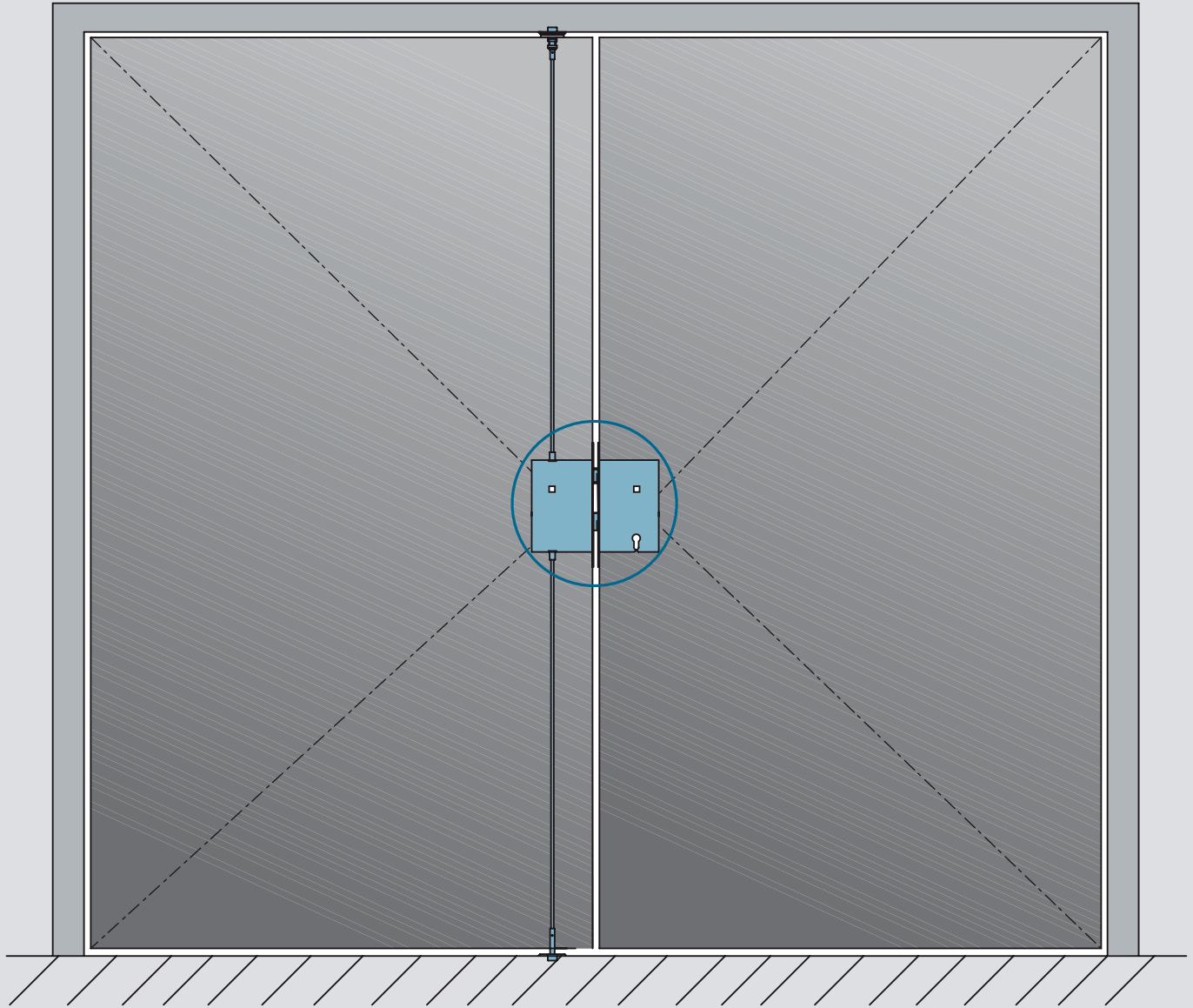


WSS

Self-locking panic device, certified acc. to DIN EN 179 + 1125, for full frame doors

SI-Panic device 9

- for double-leaf doors (each max. 1.300 x 2.500 mm)
- Dead bolt and latch lock automatically after shutting the door
- Normal version



**DIN EN
179**

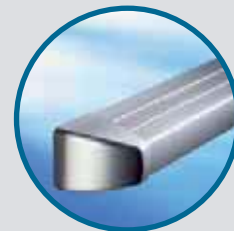


**DIN EN
1125**



from page 36

**DIN EN
1125**



from page 34

SI-Panic-device 9



Consisting of:

- Active-leaf:
 - SI-Panic lock (function E) with stainless steel front plate

- Passive-leaf:
 - Panic counter box with stainless steel front plate
 - Top lock (Passive-leaf)
 - Connection rod with locking piece top and bottom (Standard length 1.550 mm)
 - adjustable locking hutch, top and bottom

Available
08/2008 

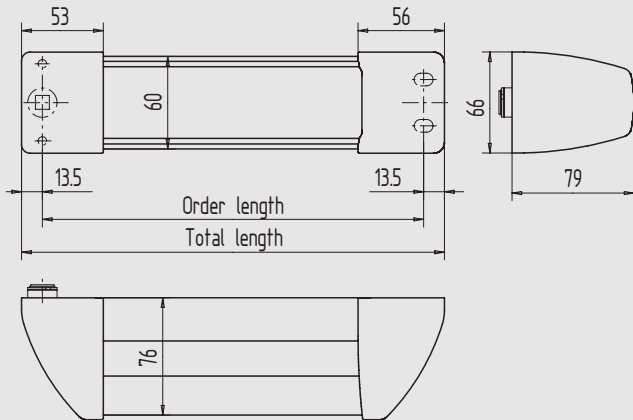
Locking function E (Latch lever function)

Art.-No.	Direction	Backset	Front plate
01.240.6500.000	DIN right	65	Flat front plate
01.241.6500.000	DIN left	65	Flat front plate

Further options:

- 01) prepared for KABA-/KESO cylinder
- 16) Micro-switch for dead bolt control

Information	We suggest the installation of an actuator hatch!!!! There are also special versions of counterboxes available with backsets deviating from the main lock.
--------------------	---



**Panic push-bar
for active-leaf DIN EN 1125
Angle of rotation 22°**



- 9 mm follower
- Right and left reversible (see adjustment instructions)
- for customization
- with fixing accessories

For standard tubular door frames

Direction	500-649 mm	650-799 mm	800-950 mm	951-1100 mm	1101-1250 mm	Special length *)
DIN right	01.690.0040 ---	01.690.0050 ---	01.690.0000 ---	01.690.0010 ---	01.690.0020 ---	01.690.0030 ---
DIN left	01.691.0040 ---	01.691.0050 ---	01.691.0000 ---	01.691.0010 ---	01.691.0020 ---	01.691.0030 ---

Surface codes	Material/Surface
---.112	Aluminum, E4/C-0 anodized
---.198	Aluminum, Stainless Steel effect
---.255	Aluminum, RAL 9016 powder-coated
---.267	Aluminum, RAL 9006 powder-coated
---.295	Aluminum, RAL powder-coated
---.299	Aluminum, special surface
Special version of panic push-bar:	56) = with micro-switch, radio-controlled Attention: Fixing distance (= minimum 620 mm) must be specified Push-bar cannot be cut!!!.

Information *) Fixing distance = minimum 485 mm

**Panic push-bar
for active-leaf DIN EN 1125
Angle of rotation 27°**



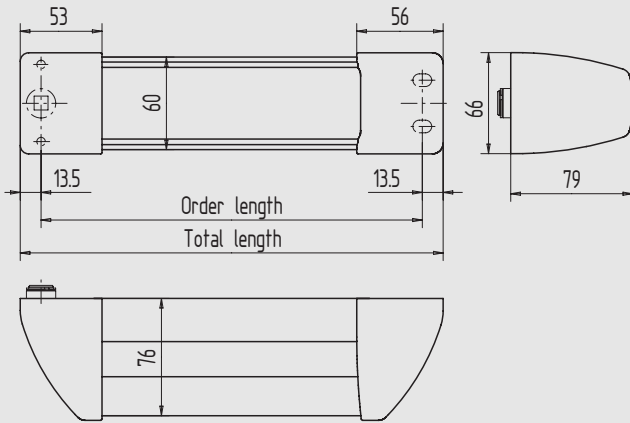
- 9 mm follower
- Right and left reversible (see adjustment instructions)
- for customization
- with fixing accessories

For standard full frame doors and SI-panic tubular and full frame doors

Direction	500-649 mm	650-799 mm	800-950 mm	951-1100 mm	1101-1250 mm	Special length *)
DIN right	01.690.1040 ---	01.690.1050 ---	01.690.1000 ---	01.690.1010 ---	01.690.1020 ---	01.690.1030 ---
DIN left	01.691.1040 ---	01.691.1050 ---	01.691.1000 ---	01.691.1010 ---	01.691.1020 ---	01.691.1030 ---

Surface codes	Material/Surface
---.112	Aluminum, E4/C-0 anodized
---.198	Aluminum, Stainless Steel effect
---.255	Aluminum, RAL 9016 powder-coated
---.267	Aluminum, RAL 9006 powder-coated
---.295	Aluminum, RAL powder-coated
---.299	Aluminum, special surface
Special version of panic push-bar:	56) = with micro-switch, radio-controlled Attention: Fixing distance (= minimum 620 mm) must be specified Push-bar cannot be cut!!!.

Information *) Fixing distance = minimum 485 mm



**Panic push-bar
for passive-leaf DIN EN 1125
Angle of rotation 35°**



- 9 mm follower
- Right and left reversible (see adjustment instructions)
- for customization
- with fixing accessories

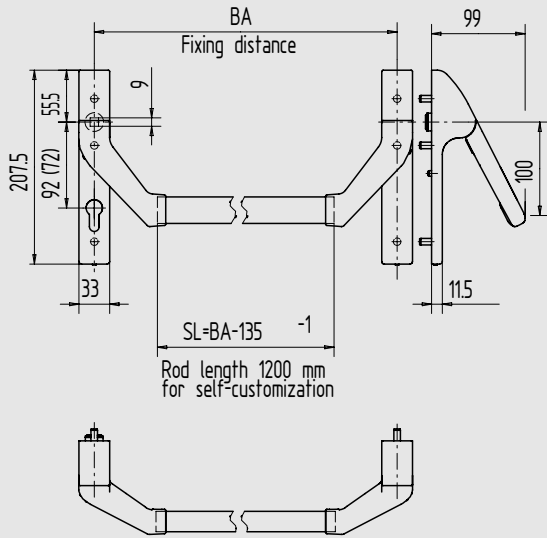
For standard and SI-panic counter box for tubular frame doors

Direction	500-649 mm	650-799 mm	800-950 mm	951-1100 mm	1101-1250 mm	Special length *)
DIN right	01.692.0040 ---	01.692.0050 ---	01.692.0000 ---	01.692.0010 ---	01.692.0020 ---	01.692.0030 ---
DIN left	01.693.0040 ---	01.693.0050 ---	01.693.0000 ---	01.693.0010 ---	01.693.0020 ---	01.693.0030 ---

For standard and SI-panic counter box for full frame doors

Direction	500-649 mm	650-799 mm	800-950 mm	951-1100 mm	1101-1250 mm	Special length *)
DIN right	01.692.1040 --	01.692.1050 --	01.692.1000 --	01.692.1010 --	01.692.1020 --	01.692.1030 --
DIN left	01.693.1040 --	01.693.1050 --	01.693.1000 --	01.693.1010 --	01.693.1020 --	01.693.1030 --

Surface codes	Material/Surface
---.112	Aluminum, E4/C-0 anodized
---.198	Aluminum, Stainless Steel effect
---.255	Aluminum, RAL 9016 powder-coated
---.267	Aluminum, RAL 9006 powder-coated
---.295	Aluminum, RAL powder-coated
---.299	Aluminum, special surface
Special version of panic push-bar:	56) = with micro-switch, radio-controlled Attention: Fixing distance (= minimum 620 mm) must be specified Push-bar cannot be cut!!!
Information	*) Fixing distance = minimum 485 mm



**Panic bar
for active-leaf DIN EN 1125
Angle of rotation 22°**



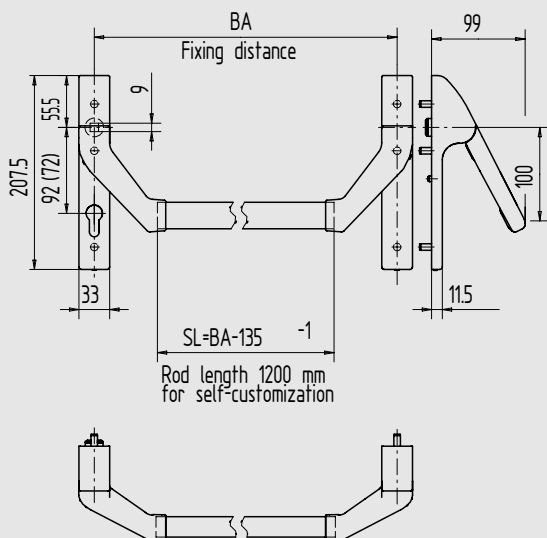
- 92 mm distance
- 9 mm follower
- Rod length 1200 mm, for customization
- Stainless steel V2A matt brushed
- with fixing accessories

For standard tubular frame doors

Art.-No.	Direction	Distance
01.680.9200.426	DIN right	92
01.681.9200.426	DIN left	92

For standard full frame doors

Art.-No.	Direction	Distance
01.680.7200.426	DIN right	72
01.681.7200.426	DIN left	72



**Panic bar
for active-leaf DIN EN 1125
Angle of rotation 27°**



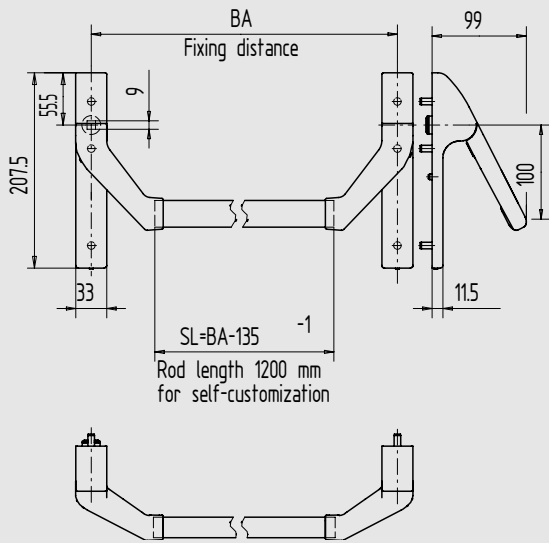
- 72 or 92 mm distance
- 9 mm follower
- Rod length 1200 mm, for customization
- Stainless steel V2A matt brushed
- with fixing accessories

For SI-panic tubular frame doors

Art.-No.	Direction	Distance
01.680.9210.426	DIN right	92
01.681.9210.426	DIN left	92

For SI-panic and standard full frame doors

Art.-No.	Direction	Distance
01.680.7210.426	DIN right	72
01.681.7210.426	DIN left	72



**Panic bar
for passive-leaf DIN EN 1125
Angle of rotation 35°**



- 9 mm follower
- Rod length 1200 mm, for customization
- Stainless steel V2A matt brushed
- with fixing accessories

For panic counter box for tubular frame doors

Art.-No.	Direction of active-leaf	Distance
01.682.9200.426	DIN right	92
01.683.9200.426	DIN left	92

For panic counter box for full frame doors

Art.-No.	Direction of active-leaf	Distance
01.682.7200.426	DIN right	72
01.683.7200.426	DIN left	72

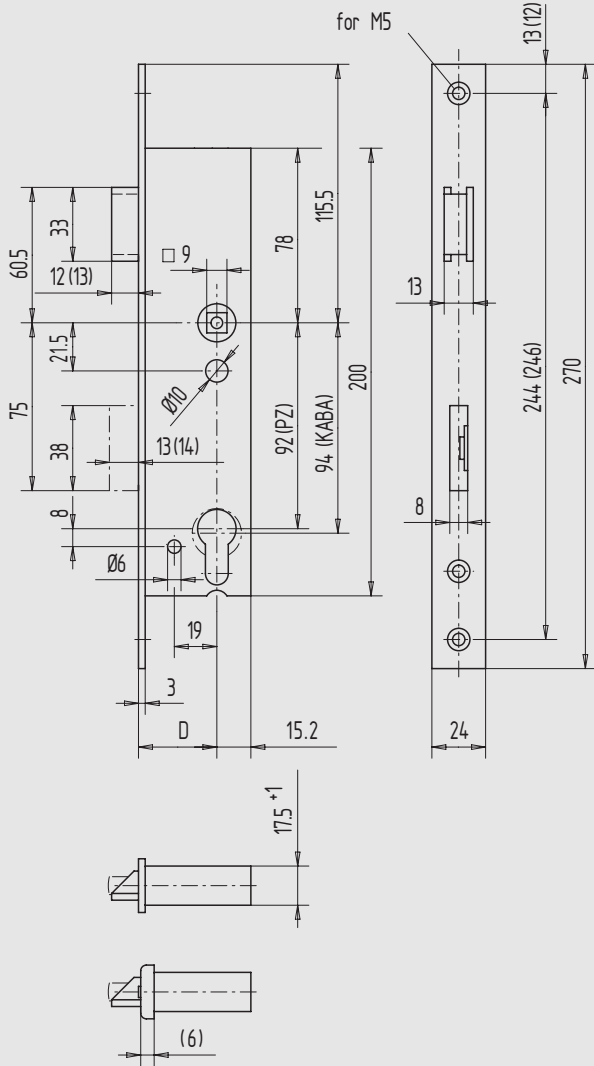


Illustration shows DIN right (...)= U-shape front plate

Panic mortise lock, function B with flat front plate



- Function B (switching function)
- prepared for profile cylinder (1-turn)
- 92 mm distance
- without transmission
- for single-leaf doors
- 9 mm follower
- divided follower
- Latch and dead bolt flush

Art.-No.	Direction	Back-set	Flat front plate
01.112.3000.426	DIN right	30	Stainless Steel V2A, matt brushed
01.112.3500.426	DIN right	35	Stainless Steel V2A, matt brushed
01.112.4000.426	DIN right	40	Stainless Steel V2A, matt brushed
01.112.4500.426	DIN right	45	Stainless Steel V2A, matt brushed
01.113.3000.426	DIN left	30	Stainless Steel V2A, matt brushed
01.113.3500.426	DIN left	35	Stainless Steel V2A, matt brushed
01.113.4000.426	DIN left	40	Stainless Steel V2A, matt brushed
01.113.4500.426	DIN left	45	Stainless Steel V2A, matt brushed

- 01) prepared for KABA-/KESO cylinder
- 02) Latch and dead bolt 5 mm protruding
- 11) Flat front plate 22 x 3 mm
- 16) Micro-switch for dead bolt control
- 17) Panic function inward (not according to DIN EN 179 + 1125)
- 51) Latch and dead bolt 3 mm protruding (only 35 mm backset)

Attention Version 02) only for 30 - 40 mm backset
Version 16) from 35 mm backset

with U-shape front plate



- Latch and dead bolt 1 mm protruding

Art.-No.	Direction	Back-set	U-shape front plate
01.112.3400.426	DIN right	34	Stainless Steel V2A, matt brushed
01.113.3400.426	DIN left	34	Stainless Steel V2A, matt brushed

Further options:

- 01) prepared for KABA-/KESO cylinder
- 03) Latch and dead bolt 6 mm protruding
- 16) Micro-switch for dead bolt control
- 17) Panic function inward (not according to DIN EN 179 + 1125)
- 52) Latch and dead bolt 4 mm protruding (only 34 mm backset)

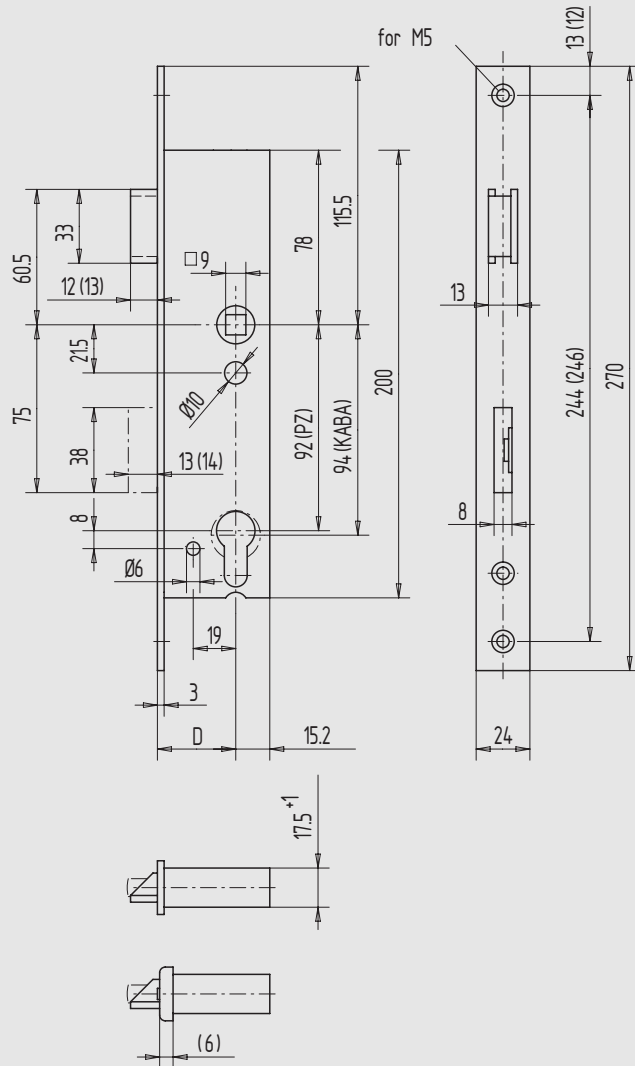


Illustration shows DIN right
(...) = U-shape front plate

Panic mortise lock, function E with flat front plate



- Function E (latch lever function)
- prepared for profile cylinder (1-turn)
- 92 mm distance
- with transmission
- for single-leaf doors
- 9 mm follower
- persistent follower
- Latch and dead bolt flush

Art.-No.	Direction	Back-set	Flat front plate
01.114.3000.426	DIN right	30	Stainless Steel V2A, matt brushed
01.114.3500.426	DIN right	35	Stainless Steel V2A, matt brushed
01.114.4000.426	DIN right	40	Stainless Steel V2A, matt brushed
01.114.4500.426	DIN right	45	Stainless Steel V2A, matt brushed
01.115.3000.426	DIN left	30	Stainless Steel V2A, matt brushed
01.115.3500.426	DIN left	35	Stainless Steel V2A, matt brushed
01.115.4000.426	DIN left	40	Stainless Steel V2A, matt brushed
01.115.4500.426	DIN left	45	Stainless Steel V2A, matt brushed

Further options:

- 01) prepared for KABA-/KESO cylinder
- 02) Latch and dead bolt 5 mm protruding
- 11) Flat front plate 22 x 3 mm
- 16) Micro-switch for dead bolt control
- 51) Latch and dead bolt 3 mm protruding (only 35 mm backset)
- 59) Safed latch arrester

Attention	Version 02) only for 30 - 40 mm backset Version 16) from 35 mm backset
-----------	---

with U-shape front plate



- Latch and dead bolt 1 mm protruding

Art.-No.	Direction	Back-set	U-shape front plate
01.114.3400.426	DIN right	34	Stainless Steel V2A, matt brushed
01.115.3400.426	DIN left	34	Stainless Steel V2A, matt brushed

Further options:

- 01) prepared for KABA-/KESO cylinder
- 03) Latch and dead bolt 6 mm protruding
- 16) Micro-switch for dead bolt control
- 52) Latch and dead bolt 4 mm protruding (only 34 mm backset)
- 59) Safed latch arrester

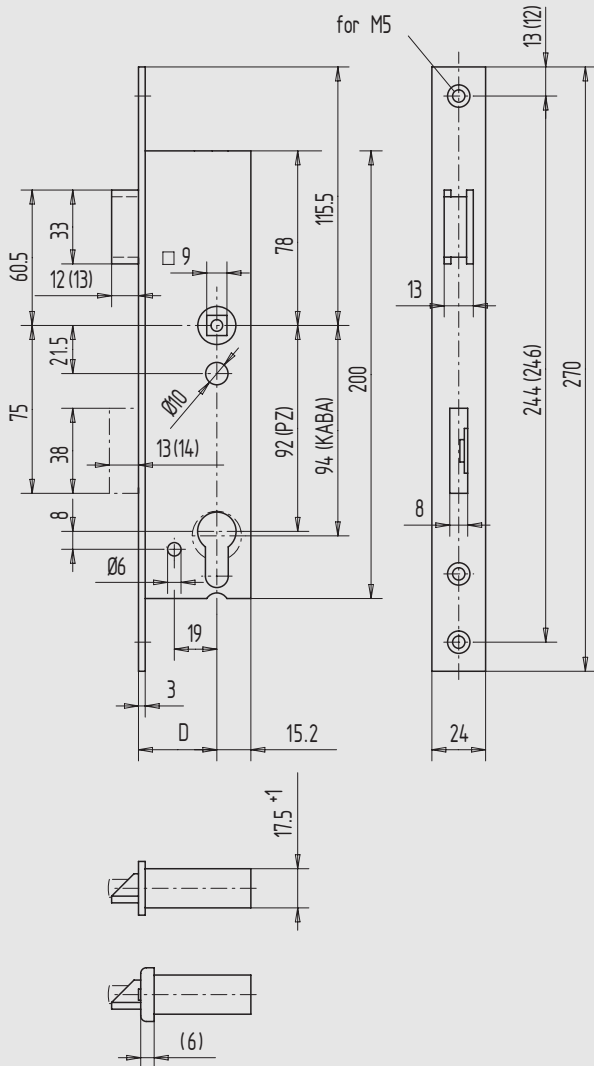


Illustration shows DIN right (...)= U-shape front plate

Panic mortise lock, function D with flat front plate



- Function D (passage function)
- prepared for profile cylinder (1-turn)
- 92 mm distance
- without transmission
- for single-leaf doors
- 9 mm follower
- divided follower
- Latch and dead bolt flush

Art.-No.	Direction	Back-set	Flat front plate
01.116.3000.426	DIN right	30	Stainless Steel V2A, matt brushed
01.116.3500.426	DIN right	35	Stainless Steel V2A, matt brushed
01.116.4000.426	DIN right	40	Stainless Steel V2A, matt brushed
01.116.4500.426	DIN right	45	Stainless Steel V2A, matt brushed
01.117.3000.426	DIN left	30	Stainless Steel V2A, matt brushed
01.117.3500.426	DIN left	35	Stainless Steel V2A, matt brushed
01.117.4000.426	DIN left	40	Stainless Steel V2A, matt brushed
01.117.4500.426	DIN left	45	Stainless Steel V2A, matt brushed

Further options:

- 01) prepared for KABA-/KESO cylinder
- 02) Latch and dead bolt 5 mm protruding
- 11) Flat front plate 22 x 3 mm
- 16) Micro-switch for dead bolt control
- 17) Panic function inward (not according to DIN EN 179 + 1125)
- 51) Latch and dead bolt 3 mm protruding (only 35 mm backset)

Attention	Version 02) only for 30 - 40 mm backset Version 16) from 35 mm backset
-----------	---

with U-shape front plate

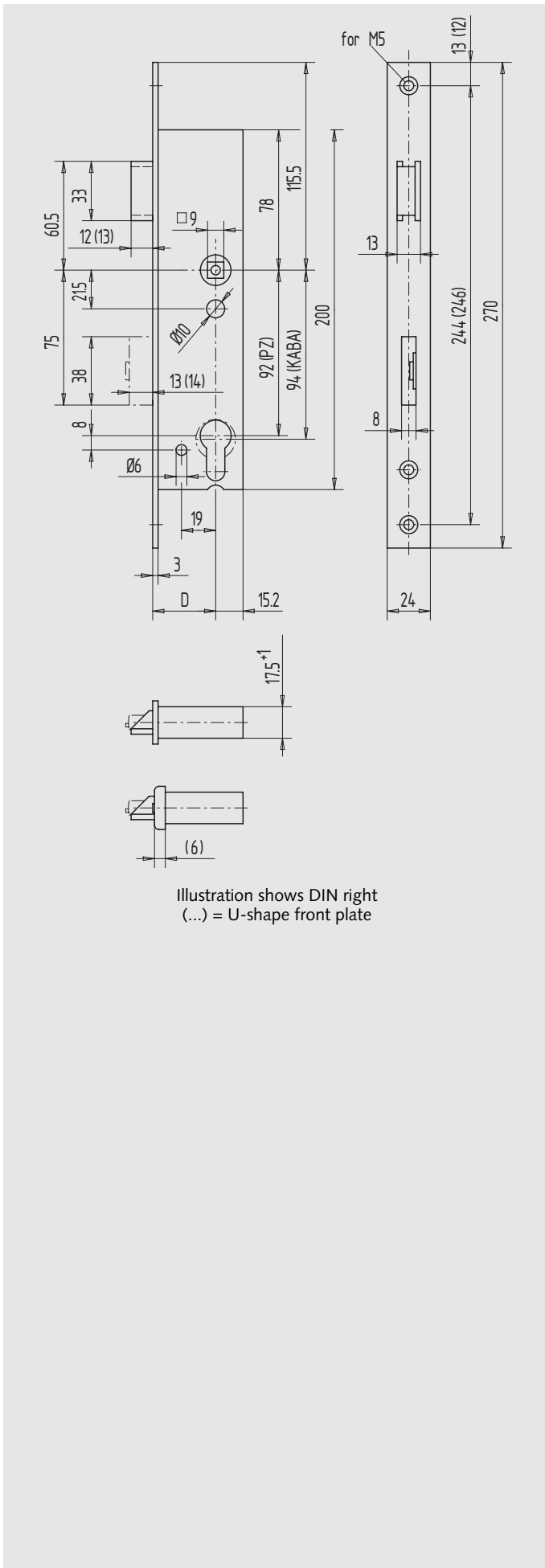


- Latch and dead bolt 1 mm protruding

Art.-No.	Direction	Back-set	U-shape front plate
01.116.3400.426	DIN right	34	Stainless Steel V2A, matt brushed
01.117.3400.426	DIN left	34	Stainless Steel V2A, matt brushed

Further options:

- 01) prepared for KABA-/KESO cylinder
- 03) Latch and dead bolt 6 mm protruding
- 16) Micro-switch for dead bolt control
- 17) Panic function inward (not according to DIN EN 179 + 1125)
- 52) Latch and dead bolt 4 mm protruding (only 34 mm backset)



Panic mortise lock, function B, for double-leaf doors with flat front plate



- Function B (switching function)
- prepared for profile cylinder (1-turn)
- 92 mm distance
- without transmission
- 9 mm follower
- divided follower
- Latch and dead bolt flush

Art.-No.	Direction	Back-set	Flat front plate
01.118.3000.426	DIN right	30	Stainless Steel V2A, matt brushed
01.118.3500.426	DIN right	35	Stainless Steel V2A, matt brushed
01.118.4000.426	DIN right	40	Stainless Steel V2A, matt brushed
01.118.4500.426	DIN right	45	Stainless Steel V2A, matt brushed
01.119.3000.426	DIN left	30	Stainless Steel V2A, matt brushed
01.119.3500.426	DIN left	35	Stainless Steel V2A, matt brushed
01.119.4000.426	DIN left	40	Stainless Steel V2A, matt brushed
01.119.4500.426	DIN left	45	Stainless Steel V2A, matt brushed

Further options:

- 01) prepared for KABA-/KESO cylinder
- 02) Latch and dead bolt 5 mm protruding
- 11) Flat front plate 22 x 3 mm
- 16) Micro-switch for dead bolt control
- 17) Panic function inward (not according to DIN EN 179 + 1125)
- 51) Latch and dead bolt 3 mm protruding (only 35 mm backset)

Attention	Version 02) only for 30 - 40 mm backset Version 16) from 35 mm backset
------------------	---

with U-shape front plate



- Latch and dead bolt 1 mm protruding

Art.-No.	Direction	Back-set	U-shape front plate
01.118.3400.426	DIN right	34	Stainless Steel V2A, matt brushed
01.119.3400.426	DIN left	34	Stainless Steel V2A, matt brushed

Further options:

- 01) prepared for KABA-/KESO cylinder
- 03) Latch and dead bolt 6 mm protruding
- 16) Micro-switch for dead bolt control
- 17) Panic function inward (not according to DIN EN 179 + 1125)
- 52) Latch and dead bolt 4 mm protruding (only 34 mm backset)

Accessories:

- Panic-counter boxes **from page 48**
- Top lock with slide-plug **page 50**

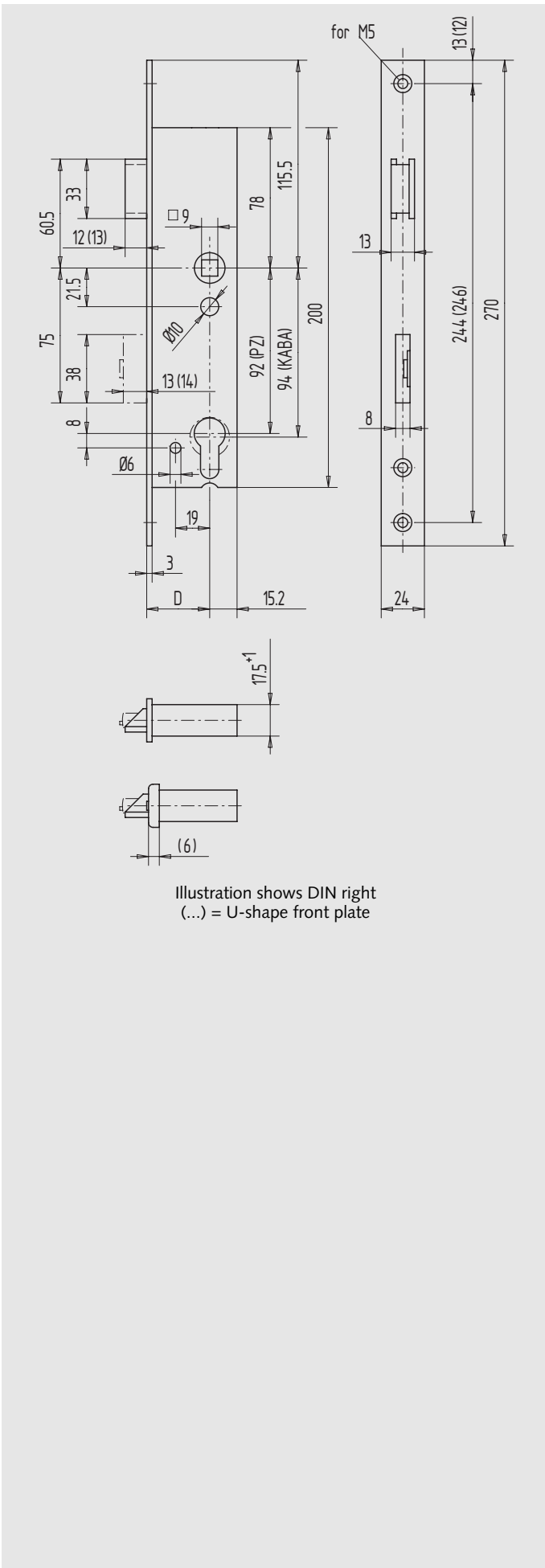


Illustration shows DIN right (...)= U-shape front plate

Panic mortise lock, function E, for double-leaf doors with flat front plate



- Function E (latch lever function)
- prepared for profile cylinder (1-turn)
- 92 mm distance
- with transmission
- 9 mm follower
- persistent follower
- Latch and dead bolt flush

Art.-No.	Direction	Back-set	Flat front plate
01.120.3000.426	DIN right	30	Stainless Steel V2A, matt brushed
01.120.3500.426	DIN right	35	Stainless Steel V2A, matt brushed
01.120.4000.426	DIN right	40	Stainless Steel V2A, matt brushed
01.120.4500.426	DIN right	45	Stainless Steel V2A, matt brushed
01.121.3000.426	DIN left	30	Stainless Steel V2A, matt brushed
01.121.3500.426	DIN left	35	Stainless Steel V2A, matt brushed
01.121.4000.426	DIN left	40	Stainless Steel V2A, matt brushed
01.121.4500.426	DIN left	45	Stainless Steel V2A, matt brushed

Further options:

- 01) prepared for KABA-/KESO cylinder
- 02) Latch and dead bolt 5 mm protruding
- 11) Flat front plate 22 x 3 mm
- 16) Micro-switch for dead bolt control
- 51) Latch and dead bolt 3 mm protruding (only 35 mm backset)
- 59) Safed latch arrester

Attention	Version 02) only for 30 - 40 mm backset Version 16) from 35 mm backset
------------------	---

with U-shape front plate



- Latch and dead bolt 1 mm protruding

Art.-No.	Direction	Back-set	U-shape front plate
01.120.3400.426	DIN right	34	Stainless Steel V2A, matt brushed
01.121.3400.426	DIN left	34	Stainless Steel V2A, matt brushed

Further options:

- 01) prepared for KABA-/KESO cylinder
- 03) Latch and dead bolt 6 mm protruding
- 16) Micro-switch for dead bolt control
- 52) Latch and dead bolt 4 mm protruding (only 34 mm backset)
- 59) Safed latch arrester

Accessories:

- Panic-counter boxes **from page 48**
- Top lock with slide-plug **page 50**

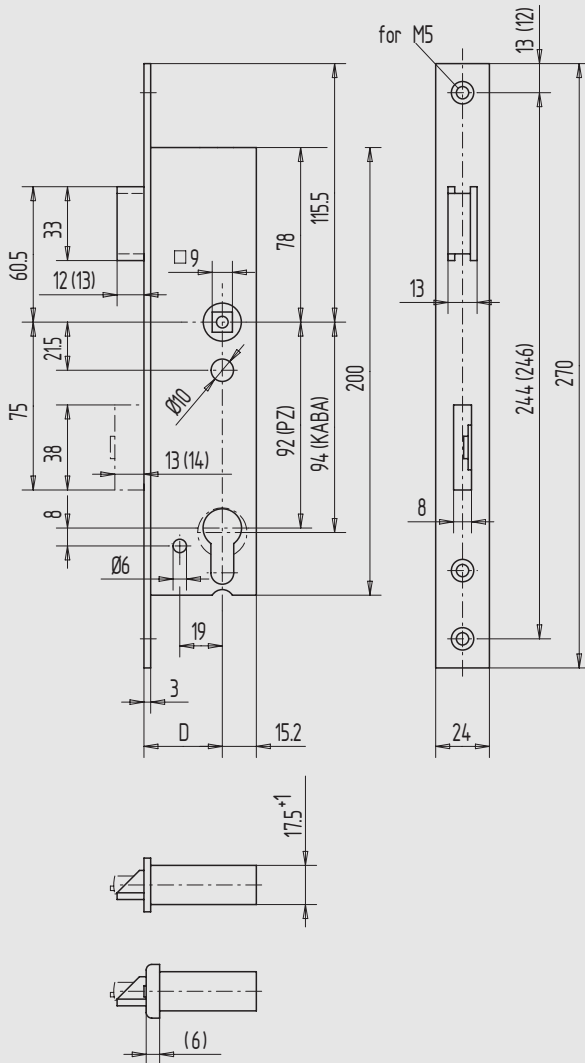


Illustration shows DIN right
(...) = U-shape front plate

Panic mortise lock, function D, for double-leaf doors with flat front plate



- Function D (passage function)
- prepared for profile cylinder (1-turn)
- 92 mm distance
- without transmission
- 9 mm follower
- divided follower
- Latch and dead bolt flush

Art.-No.	Direction	Back-set	Flat front plate
01.122.3000.426	DIN right	30	Stainless Steel V2A, matt brushed
01.122.3500.426	DIN right	35	Stainless Steel V2A, matt brushed
01.122.4000.426	DIN right	40	Stainless Steel V2A, matt brushed
01.122.4500.426	DIN right	45	Stainless Steel V2A, matt brushed
01.123.3000.426	DIN left	30	Stainless Steel V2A, matt brushed
01.123.3500.426	DIN left	35	Stainless Steel V2A, matt brushed
01.123.4000.426	DIN left	40	Stainless Steel V2A, matt brushed
01.123.4500.426	DIN left	45	Stainless Steel V2A, matt brushed

Further options:

- 01) prepared for KABA-/KESO cylinder
- 02) Latch and dead bolt 5 mm protruding
- 11) Flat front plate 22 x 3 mm
- 16) Micro-switch for dead bolt control
- 17) Panic function inward (not according to DIN EN 179 + 1125)
- 51) Latch and dead bolt 3 mm protruding (only 35 mm backset)

Attention	Version 02) only for 30 - 40 mm backset Version 16) from 35 mm backset
------------------	---

with U-shape front plate



- Latch and dead bolt 1 mm protruding

Art.-No.	Direction	Back-set	U-shape front plate
01.122.3400.426	DIN right	34	Stainless Steel V2A, matt brushed
01.123.3400.426	DIN left	34	Stainless Steel V2A, matt brushed

Further options:

- 01) prepared for KABA-/KESO cylinder
- 03) Latch and dead bolt 6 mm protruding
- 16) Micro-switch for dead bolt control
- 17) Panic function inward (not according to DIN EN 179 + 1125)
- 52) Latch and dead bolt 4 mm protruding (only 34 mm backset)

Accessories:

- Panic-counter boxes **from page 48**
- Top lock with slide-plug **page 50**

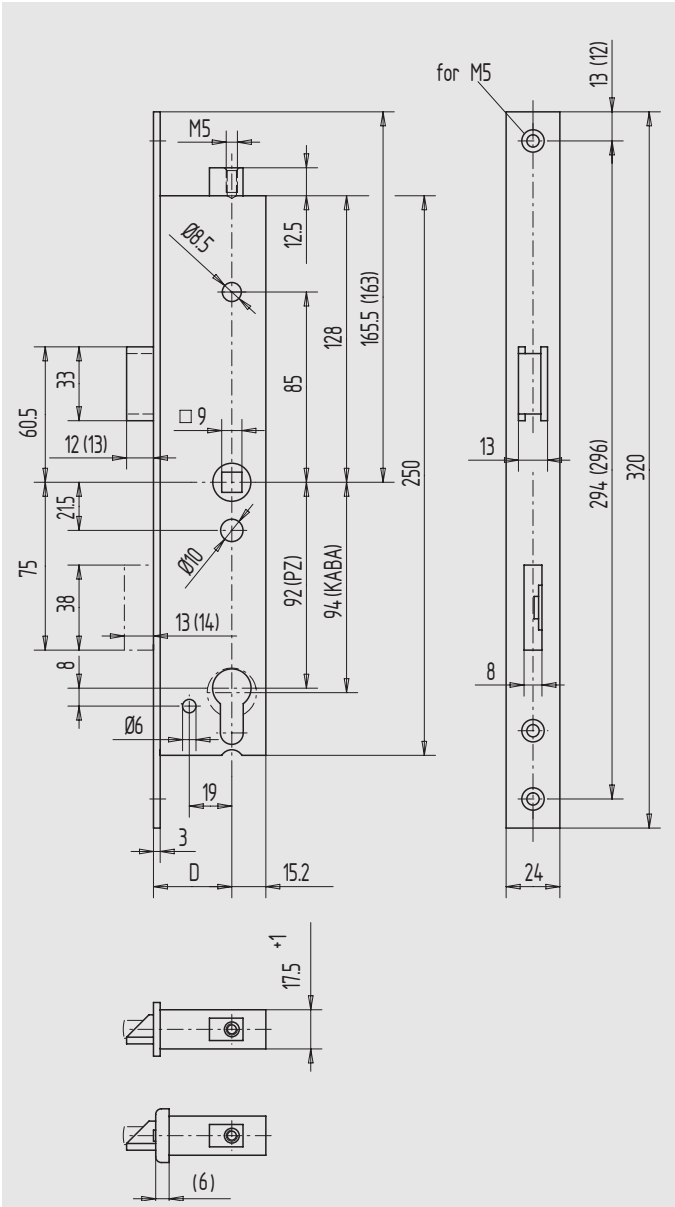


Illustration shows DIN right
(...) = U-shape front plate

Panic mortise lock with additional interlock, function E with flat front plate



- Additional interlock
- Function E (latch lever function)
- prepared for profile cylinder (1-turn)
- 92 mm distance
- with transmission
- for single-leaf doors
- 9 mm follower
- persistent follower
- Latch and dead bolt flush

Art.-No.	Direction	Back-set	Flat front plate
01.132.3000.426	DIN right	30	Stainless Steel V2A, matt brushed
01.132.3500.426	DIN right	35	Stainless Steel V2A, matt brushed
01.132.4000.426	DIN right	40	Stainless Steel V2A, matt brushed
01.132.4500.426	DIN right	45	Stainless Steel V2A, matt brushed
01.133.3000.426	DIN left	30	Stainless Steel V2A, matt brushed
01.133.3500.426	DIN left	35	Stainless Steel V2A, matt brushed
01.133.4000.426	DIN left	40	Stainless Steel V2A, matt brushed
01.133.4500.426	DIN left	45	Stainless Steel V2A, matt brushed

Further options:

- 01) prepared for KABA-/KESO cylinder
- 02) Latch and dead bolt 5 mm protruding
- 11) Flat front plate 22 x 3 mm
- 16) Micro-switch for dead bolt control
- 50) With reinforced spring
- 51) Latch and dead bolt 3 mm protruding (only 35 mm backset)
- 59) Safed latch arrester

Attention	Version 02) only for 30 - 40 mm backset Version 16) from 35 mm backset Version 50) from 2500 mm door height
-----------	---

with U-shape front plate



- Latch and dead bolt 1 mm protruding

Art.-No.	Direction	Back-set	U-shape front plate
01.132.3400.426	DIN right	34	Stainless Steel V2A, matt brushed
01.133.3400.426	DIN left	34	Stainless Steel V2A, matt brushed

Further options:

- 01) prepared for KABA-/KESO cylinder
- 03) Latch and dead bolt 6 mm protruding
- 16) Micro-switch for dead bolt control
- 50) With reinforced spring
- 52) Latch and dead bolt 4 mm protruding (only 34 mm backset)
- 59) Safed latch arrester

Attention	Version 50) from 2500 mm door height
-----------	--------------------------------------

Accessories:

Strike plates, latches and accessories [page 60, 62](#)

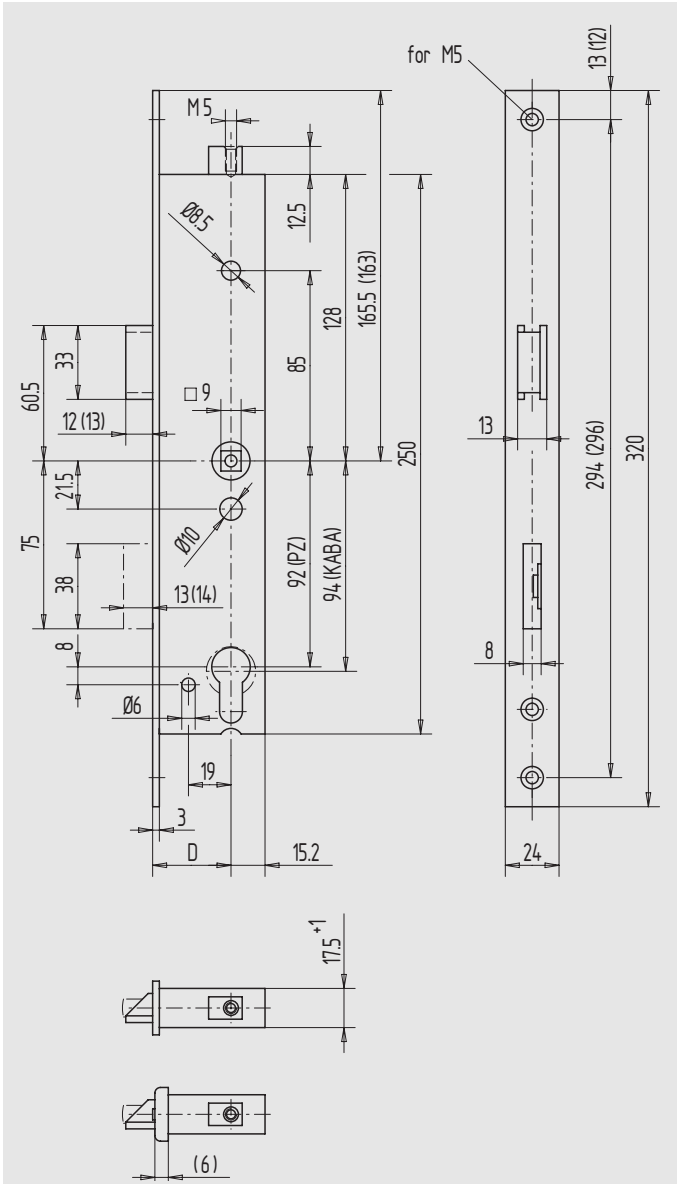


Illustration shows DIN right
(...) = U-shape front plate

Panic mortise lock with additional interlock, function B with flat front plate



- Additional interlock
- Function B (switching function)
- prepared for profile cylinder (1-turn)
- 92 mm distance
- without transmission
- for single-leaf doors
- 9 mm follower
- divided follower
- Latch and dead bolt flush

Art.-No.	Direction	Back-set	Flat front plate
01.134.3000.426	DIN right	30	Stainless Steel V2A, matt brushed
01.134.3500.426	DIN right	35	Stainless Steel V2A, matt brushed
01.134.4000.426	DIN right	40	Stainless Steel V2A, matt brushed
01.134.4500.426	DIN right	45	Stainless Steel V2A, matt brushed
01.135.3000.426	DIN left	30	Stainless Steel V2A, matt brushed
01.135.3500.426	DIN left	35	Stainless Steel V2A, matt brushed
01.135.4000.426	DIN left	40	Stainless Steel V2A, matt brushed
01.135.4500.426	DIN left	45	Stainless Steel V2A, matt brushed

Further options:

- 01) prepared for KABA-/KESO cylinder
- 02) Latch and dead bolt 5 mm protruding
- 11) Flat front plate 22 x 3 mm
- 16) Micro-switch for dead bolt control
- 17) Panic function inward (not according to DIN EN 179 + 1125)
- 50) With reinforced spring
- 51) Latch and dead bolt 3 mm protruding (only 35 mm backset)

Attention Version 02) only for 30 - 40 mm backset
Version 16) from 35 mm backset
Version 50) from 2500 mm door height

with U-shape front plate



- Latch and dead bolt 1 mm protruding

Art.-No.	Direction	Back-set	U-shape front plate
01.134.3400.426	DIN right	34	Stainless Steel V2A, matt brushed
01.135.3400.426	DIN left	34	Stainless Steel V2A, matt brushed

Further options:

- 01) prepared for KABA-/KESO cylinder
- 03) Latch and dead bolt 6 mm protruding
- 16) Micro-switch for dead bolt control
- 17) Panic function inward (not according to DIN EN 179 + 1125)
- 50) With reinforced spring
- 52) Latch and dead bolt 4 mm protruding (only 34 mm backset)

Attention Version 50) from 2500 mm door height

Accessories:

Strike plate, latch and accessories [page 60, 62](#)

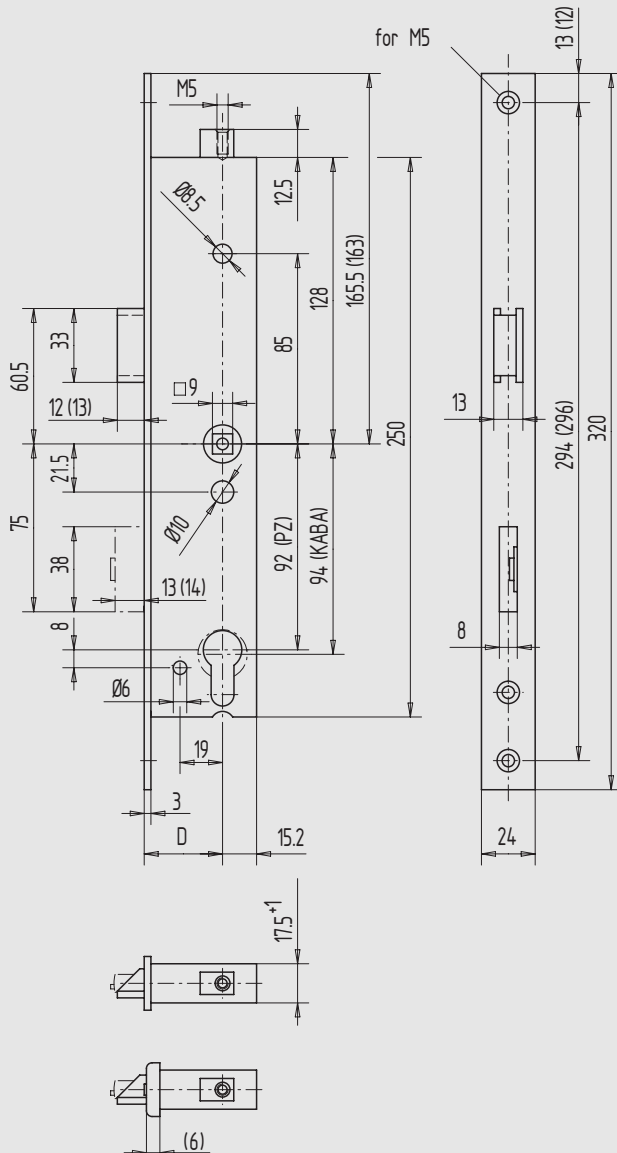


Illustration shows DIN right
(...) = U-shape front plate

Panic mortise lock with additional interlock, function B, for double-leaf doors with flat front plate



- Additional interlock
- Function B (switching function)
- prepared for profile cylinder (1-turn)
- 92 mm distance
- without transmission
- 9 mm follower
- divided follower
- Latch and dead bolt flush

Art.-No.	Direction	Back-set	Flat front plate
01.138.3000.426	DIN right	30	Stainless Steel V2A, matt brushed
01.138.3500.426	DIN right	35	Stainless Steel V2A, matt brushed
01.138.4000.426	DIN right	40	Stainless Steel V2A, matt brushed
01.138.4500.426	DIN right	45	Stainless Steel V2A, matt brushed
01.139.3000.426	DIN left	30	Stainless Steel V2A, matt brushed
01.139.3500.426	DIN left	35	Stainless Steel V2A, matt brushed
01.139.4000.426	DIN left	40	Stainless Steel V2A, matt brushed
01.139.4500.426	DIN left	45	Stainless Steel V2A, matt brushed

Further options:

- 01) prepared for KABA-/KESO cylinder
- 02) Latch and dead bolt 5 mm protruding
- 11) Flat front plate 22 x 3 mm
- 16) Micro-switch for dead bolt control
- 17) Panic function inward (not according to DIN EN 179 + 1125)
- 50) With reinforced spring
- 51) Latch and dead bolt 3 mm protruding (only 35 mm backset)

Attention	Version 02) only for 30 - 40 mm backset Version 16) from 35 mm backset Version 50) from 2500 mm door height
-----------	---

with U-shape front plate



- Latch and dead bolt 1 mm protruding

Art.-No.	Direction	Back-set	U-shape front plate
01.138.3400.426	DIN right	34	Stainless Steel V2A, matt brushed
01.139.3400.426	DIN left	34	Stainless Steel V2A, matt brushed

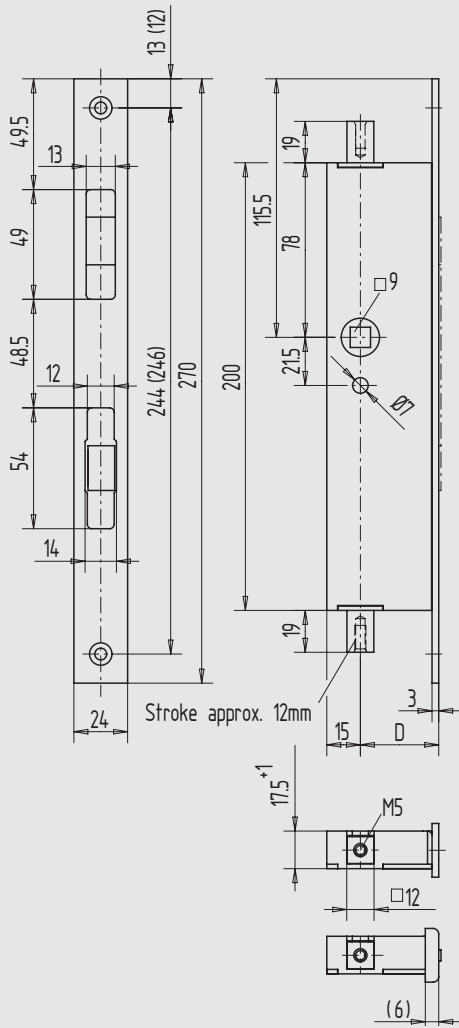
Further options:

- 01) prepared for KABA-/KESO cylinder
- 03) Latch and dead bolt 6 mm protruding
- 16) Micro-switch for dead bolt control
- 17) Panic function inward (not according to DIN EN 179 + 1125)
- 50) With reinforced spring
- 52) Latch and dead bolt 4 mm protruding (only 34 mm backset)

Attention	Version 50) from 2500 mm door height
-----------	--------------------------------------

Accessories:

- Panic-counter boxes **from page 48**
- Top lock with slide-plug **page 50**
- Strike plate, latch and accessories **page 62**



(...) = U-shape front plate

Panic counter box for double-leaf doors with flat front plate



- 9 mm follower
- right and left hand usable
- self-locking, for usage with top lock art.-no. 01.141.0000.010
- Angle of rotation 35°
- Connectors thread M5

Art.-No.	Backset	Flat front plate
01.144.3000.426	30	Stainless Steel V2A, matt brushed
01.144.3500.426	35	Stainless Steel V2A, matt brushed
01.144.4000.426	40	Stainless Steel V2A, matt brushed
01.144.4500.426	45	Stainless Steel V2A, matt brushed
01.144.5500.426	55	Stainless Steel V2A, matt brushed
01.144.6500.426	65	Stainless Steel V2A, matt brushed

Accessories:

- Rod guide [page 63](#)
- Locking hutch [page 65](#)
- Top lock [page 50](#)
- Locking pieces, top and bottom [page 65](#)
- Connection rod [page 64](#)

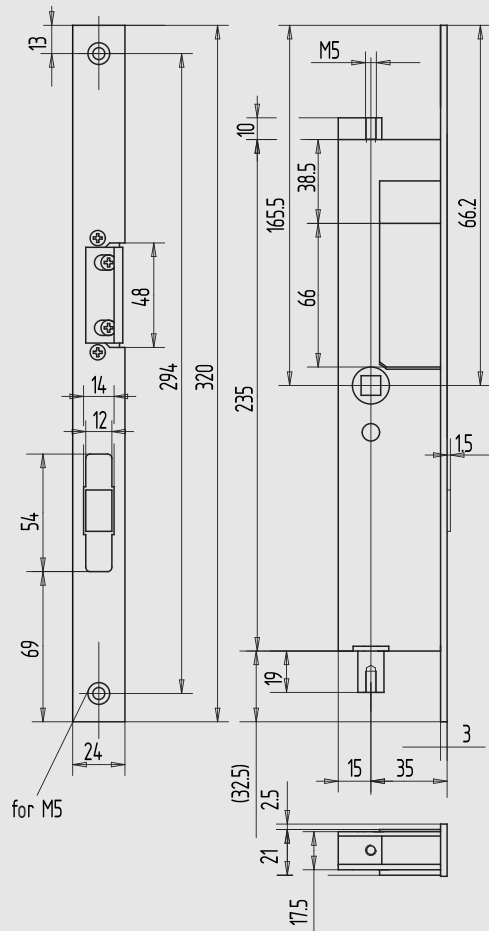
with U-shape front plate



Art.-No.	Backset	U-shape front plate
01.144.3400.426	34	Stainless Steel V2A, matt brushed

Accessories:

- Rod guide with U-shape front plate [page 63](#)
- Locking hutch [page 65](#)
- Top lock [page 50](#)
- Locking pieces, top and bottom [page 65](#)
- Connection rod [page 64](#)



(...) = U-shape front plate

Panic counter box with electric strike mod. 143 for double-leaf doors with flat front plate



- 9 mm follower
- self-locking, for usage with top lock art.-no. 01.141.0000.010
- Connectors thread M5

Art.-No.	Direction of active-leaf	Back-set	Flat front plate
01.146.3500.426	right	35	Stainless Steel V2A, matt brushed
01.146.4000.426	right	40	Stainless Steel V2A, matt brushed
01.146.5500.426	right	55	Stainless Steel V2A, matt brushed
01.146.6500.426	right	65	Stainless Steel V2A, matt brushed
01.147.3500.426	left	35	Stainless Steel V2A, matt brushed
01.147.4000.426	left	40	Stainless Steel V2A, matt brushed
01.147.5500.426	left	55	Stainless Steel V2A, matt brushed
01.147.6500.426	left	65	Stainless Steel V2A, matt brushed

Further option:

32) With feedback signal

Accessories:

- Rod guide [page 63](#)
- Locking hutch [page 65](#)
- Top lock (panic device 5) [page 50](#)
- Snap-in (panic device 6) [page 50](#)
- Locking pieces, top and bottom [page 65](#)
- Connection rod [page 64](#)

with U-shape front plate



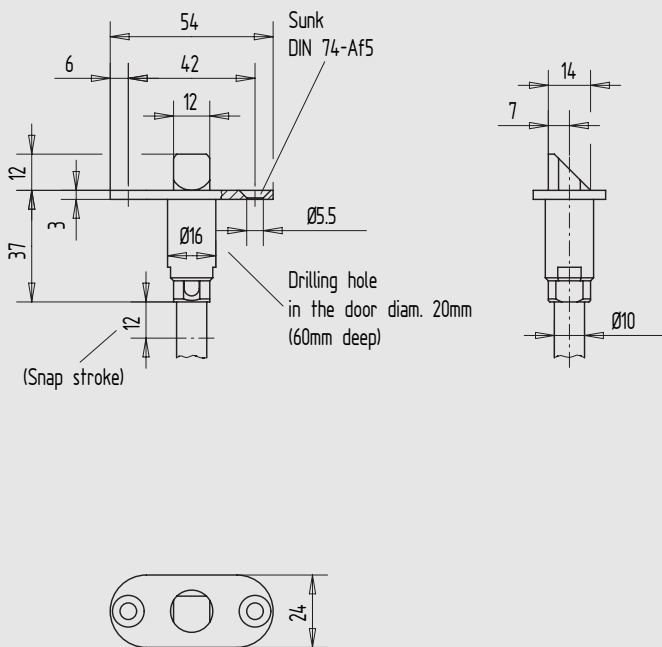
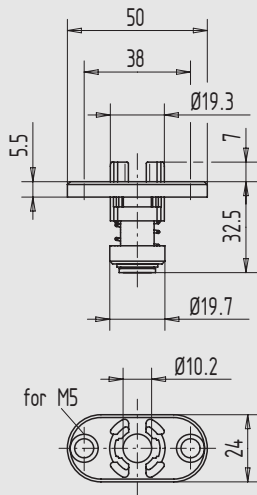
Art.-No.	Direction of active-leaf	Back-set	U-shape front plate
01.146.3400.426	right	34	Stainless Steel V2A, matt brushed
01.147.3400.426	left	34	Stainless Steel V2A, matt brushed

Further option:

32) With feedback signal

Accessories:

- Rod guide with U-shape front plate [page 63](#)
- Locking hutch [page 65](#)
- Top lock (panic device 5) [page 50](#)
- Snap-in (panic device 6) [page 50](#)
- Locking pieces, top and bottom [page 65](#)
- Connection rod [page 64](#)



Top lock



- for passive-leaf locking
- right and left hand usable

Art.-No.	Backset	Material/Surface
01.141.0000.010	variable	Steel, zinc-plated

Snap-in



- for passive-leaf locking
- right and left hand usable

Art.-No.	Backset	Material/Surface
01.141.1000.010	variable	Steel, zinc-plated



Self-locking panic lock, function E with flat front plate

- Function E (latch lever function)
- Dead bolt and latch lock automatically after shutting the door
- prepared for profile cylinder (1-turn), steel dead bolt 20 mm protruding
- 92 mm distance
- with transmission
- for single-leaf doors
- 9 mm follower
- persistent follower
- Latch 2 mm protruding, dead bolt flush
- Reversible latch
- Adjustable control latch 4,5 mm protruding (+2 mm)

Art.-No.	Direction	Back-set	Flat front plate
01.150.3500.426	DIN right	35	Stainless Steel V2A, matt brushed
01.150.4000.426	DIN right	40	Stainless Steel V2A, matt brushed
01.150.4500.426	DIN right	45	Stainless Steel V2A, matt brushed
01.151.3500.426	DIN left	35	Stainless Steel V2A, matt brushed
01.151.4000.426	DIN left	40	Stainless Steel V2A, matt brushed
01.151.4500.426	DIN left	45	Stainless Steel V2A, matt brushed

Further options:

01) prepared for KABA-/KESO cylinder
 112) SI-special function "long-term-open" by dead bolt arrester (by slider)

Accessories:

Strike plate for SI-panic locks **page 61**

with U-shape front plate



- Latch 3 mm protruding, dead bolt 1 mm protruding
- Adjustable control latch 5,5 mm protruding (+2 mm)

Art.-No.	Direction	Back-set	U-shape front plate
01.150.3400.426	DIN right	34	Stainless Steel V2A, matt brushed
01.151.3400.426	DIN left	34	Stainless Steel V2A, matt brushed

Further options:

01) prepared for KABA-/KESO cylinder
 112) SI-special function "long-term-open" by dead bolt arrester (by slider)

Accessories:

Strike plate for SI-panic locks **page 61**

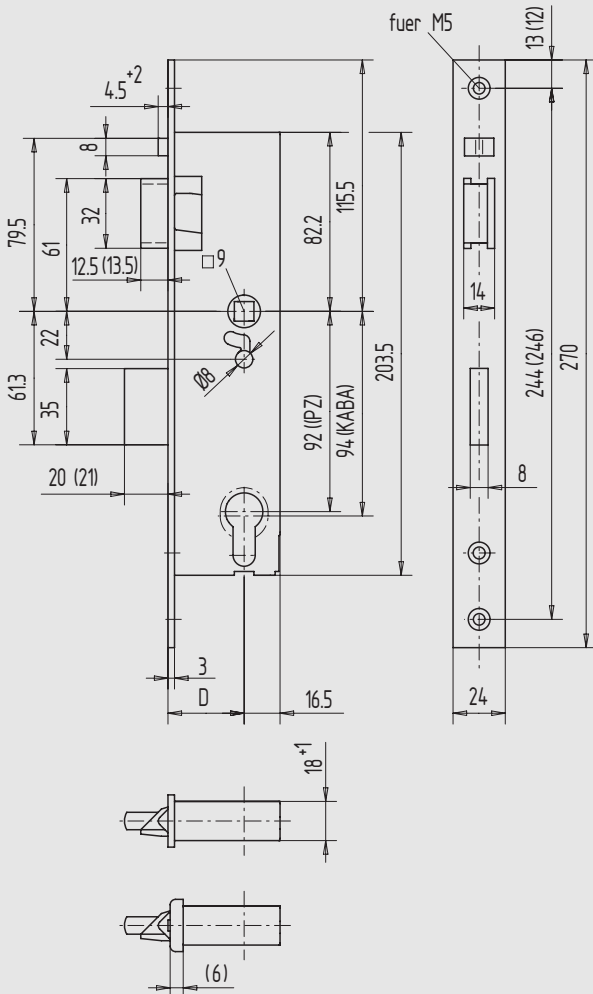
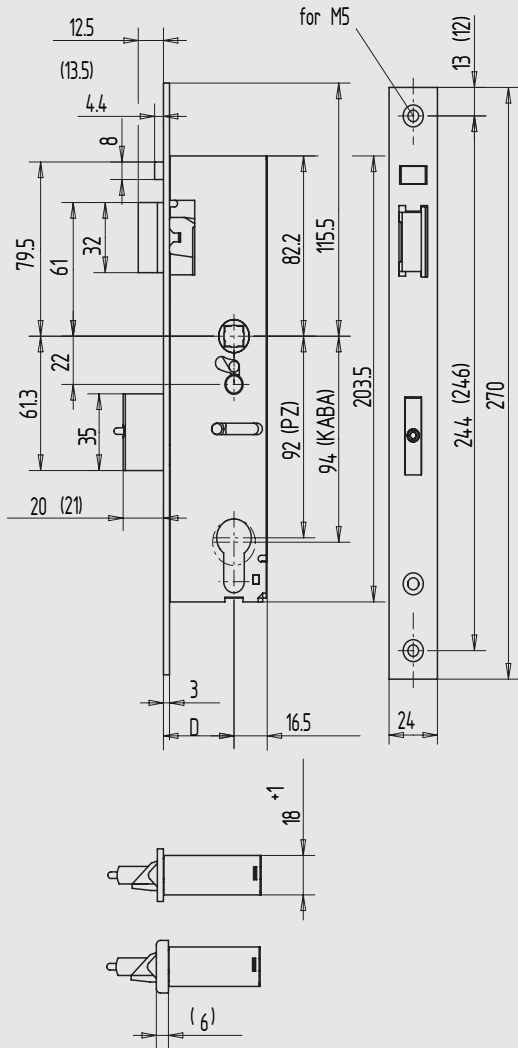


Illustration shows DIN right
 (...) = U-shape front plate



**Self-locking panic lock,
function E,
for double-leaf doors
with flat front plate**



- Function E (latch lever function)
- Dead bolt and latch lock automatically after shutting the door
- prepared for profile cylinder (1-turn), steel dead bolt 20 mm locking
- 92 mm distance
- with transmission
- for double-leaf doors
- 9 mm follower
- persistent follower
- Latch 2 mm protruding, dead bolt flush
- Reversible latch
- with latch 4,5 mm protruding

Art.-No.	Direction	Back-set	Flat front plate
01.152.3500.426	DIN right	35	Stainless Steel V2A, matt brushed
01.152.4000.426	DIN right	40	Stainless Steel V2A, matt brushed
01.152.4500.426	DIN right	45	Stainless Steel V2A, matt brushed
01.153.3500.426	DIN left	35	Stainless Steel V2A, matt brushed
01.153.4000.426	DIN left	40	Stainless Steel V2A, matt brushed
01.153.4500.426	DIN left	45	Stainless Steel V2A, matt brushed

Further options:

- 01) prepared for KABA-/KESO cylinder
- 112) SI-special function "long-term-open" by dead bolt arrester (by slider)

with U-shape front plate



- Latch 3 mm, dead bolt 1 mm protruding

Art.-No.	Direction	Back-set	U-shape front plate
01.152.3400.426	DIN right	34	Stainless Steel V2A, matt brushed
01.153.3400.426	DIN left	34	Stainless Steel V2A, matt brushed

Further options:

- 01) prepared for KABA-/KESO cylinder
- 112) SI-special function "long-term-open" by dead bolt arrester (by slider)



Self-locking panic motor lock, function E with flat front plate

- Function E (latch lever function)
- Dead bolt and latch lock automatically after shutting the door (while locking process mechanical = independent of power supply), latch with locking function
- Electromotive or mechanical (by cylinder) release
- Activation by transponder or radio control
- prepared for profile cylinder (1-turn)
- 92 mm distance
- with transmission
- for single-leaf doors
- 9 mm follower
- persistent follower
- Latch 2 mm protruding, dead bolt flush
- Reversible latch
- Adjustable control latch 4,5 mm protruding (+2 mm)
- Voltage 12 V DC, power input 500 mA
- also usable with automatic door drives
- Long-term-open-function (disconnection of the motor)

Art.-No.	Direction	Back-set	Flat front plate
01.154.3500.426	DIN right	35	Stainless Steel V2A, matt brushed
01.154.4000.426	DIN right	40	Stainless Steel V2A, matt brushed
01.154.4500.426	DIN right	45	Stainless Steel V2A, matt brushed
01.155.3500.426	DIN left	35	Stainless Steel V2A, matt brushed
01.155.4000.426	DIN left	40	Stainless Steel V2A, matt brushed
01.155.4500.426	DIN left	45	Stainless Steel V2A, matt brushed

Further options:

01) prepared for KABA-/KESO cylinder

Accessories:

Strike plate for SI-panic locks [page 61](#)

Attention

Only with control unit [page 67](#)

with U-shape front plate



- Latch 3 mm protruding, dead bolt 1 mm protruding
- Adjustable control latch 5,5 mm protruding (+2 mm)

Art.-No.	Direction	Back-set	U-shape front plate
01.154.3400.426	DIN right	34	Stainless Steel V2A, matt brushed
01.155.3400.426	DIN left	34	Stainless Steel V2A, matt brushed

Further options:

01) prepared for KABA-/KESO cylinder

Accessories:

Strike plate for SI-panic locks [page 61](#)

Attention

Only with control unit [page 67](#)

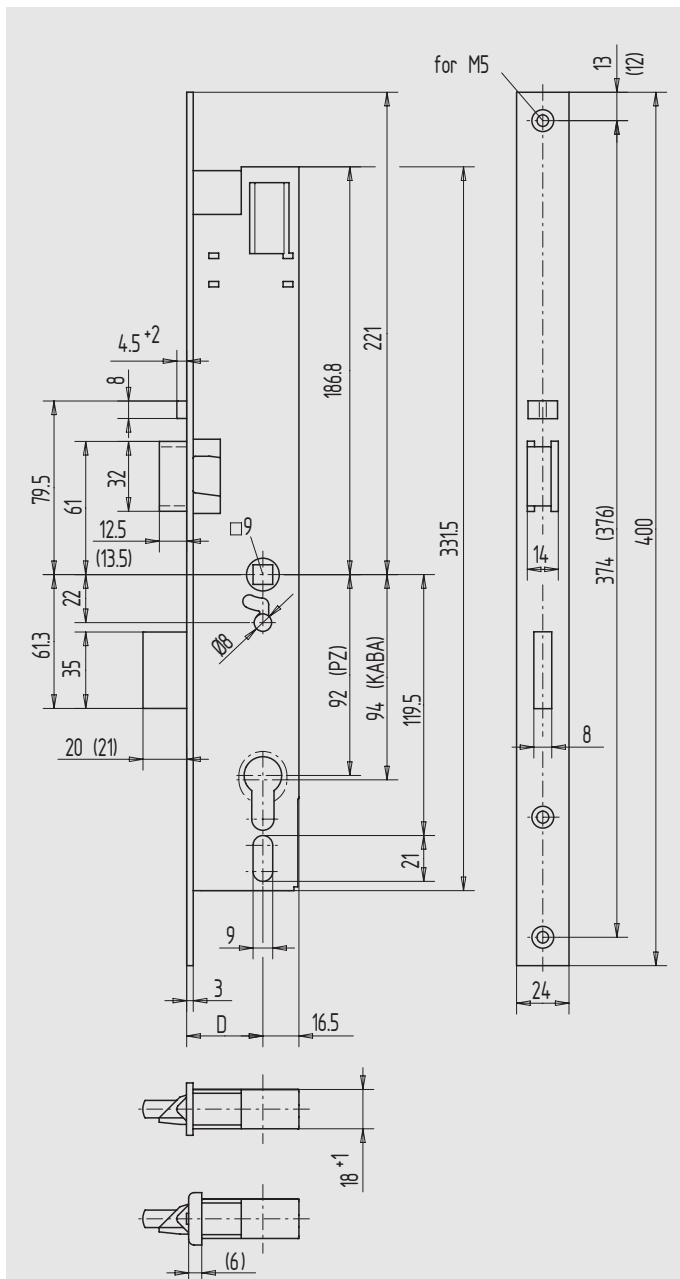
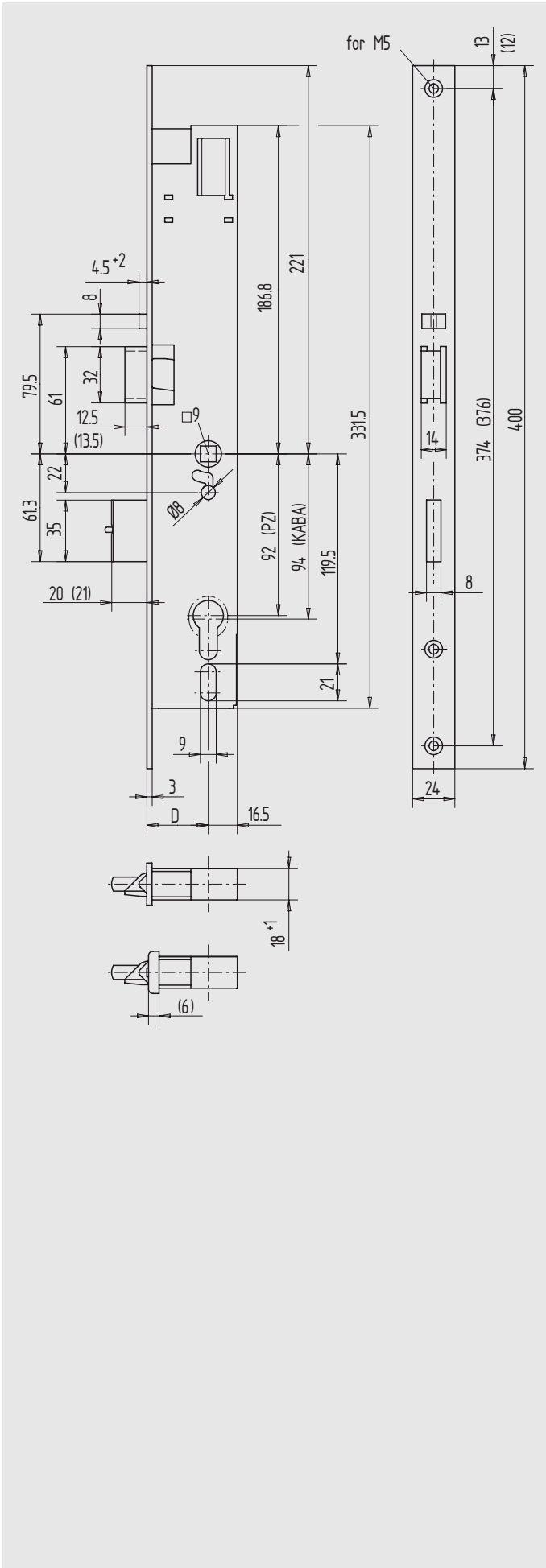


Illustration shows DIN right (...)= U-shape front plate



Self-locking panic motor lock, function E, for double-leaf doors with flat front plate



- Function E (latch lever function)
- Dead bolt and latch lock automatically after shutting the door (while locking process mechanical = independent of power supply), latch with locking function
- Electromotive or mechanical (by cylinder) release
- Activation by transponder or radio control
- prepared for profile cylinder (1-turn)
- 92 mm distance
- with transmission
- for double-leaf doors (special dead bolt)
- 9 mm follower
- persistent follower
- Latch 2 mm protruding, dead bolt flush
- Reversible latch
- with control latch 4,5 mm protruding
- Voltage 12 V DC, power input 500 mA
- Long-term-open-function (motor without power)

Art.-No.	Direction	Back-set	Flat front plate
01.156.3500.426	DIN right	35	Stainless Steel V2A, matt brushed
01.156.4000.426	DIN right	40	Stainless Steel V2A, matt brushed
01.156.4500.426	DIN right	45	Stainless Steel V2A, matt brushed
01.157.3500.426	DIN left	35	Stainless Steel V2A, matt brushed
01.157.4000.426	DIN left	40	Stainless Steel V2A, matt brushed
01.157.4500.426	DIN left	45	Stainless Steel V2A, matt brushed

Further options:

01) prepared for KABA-/KESO cylinder

Attention Only with control unit [page 67](#)

with U-shape front plate



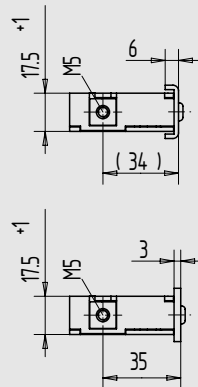
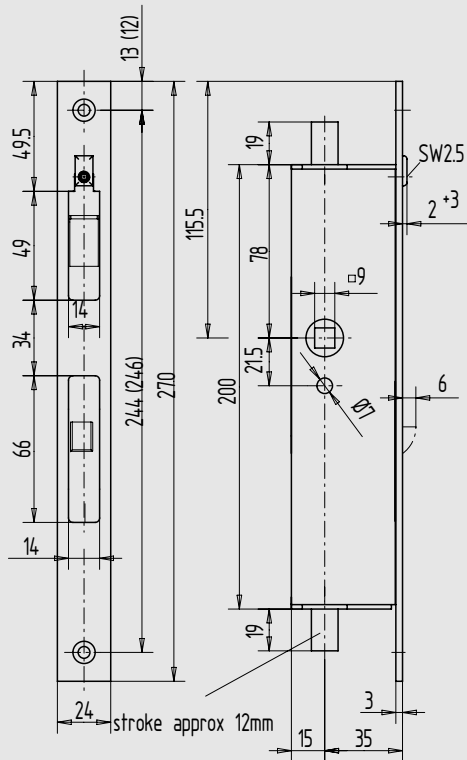
- Latch 3 mm, dead bolt 1 mm protruding

Art.-No.	Direction	Back-set	U-shape front plate
01.156.3400.426	DIN right	34	Stainless Steel V2A, matt brushed
01.157.3400.426	DIN left	34	Stainless Steel V2A, matt brushed

Further options:

01) prepared for KABA-/KESO cylinder

Attention Only with control unit [page 67](#)



(...) = U-shape front plate

Panic counter box for SI-locks with flat front plate



- for double-leaf doors
- 9 mm follower
- right and left hand usable

Art.-No.	Backset	Flat front plate
01.182.3500.426	35	Stainless Steel V2A, matt brushed
01.182.4000.426	40	Stainless Steel V2A, matt brushed
01.182.4500.426	45	Stainless Steel V2A, matt brushed

Accessories:

- Rod guide [page 63](#)
- Locking hutch [page 65](#)
- Top lock [page 50](#)
- Locking pieces, top and bottom [page 65](#)
- Connection rod [page 64](#)

with U-shape front plate



Art.-No.	Backset	U-shape front plate
01.182.3400.426	34	Stainless Steel V2A, matt brushed

Accessories:

- Rod guide with U-shape front plate [page 63](#)
- Locking hutch [page 65](#)
- Top lock [page 50](#)
- Locking pieces, top and bottom [page 65](#)
- Connection rod [page 64](#)

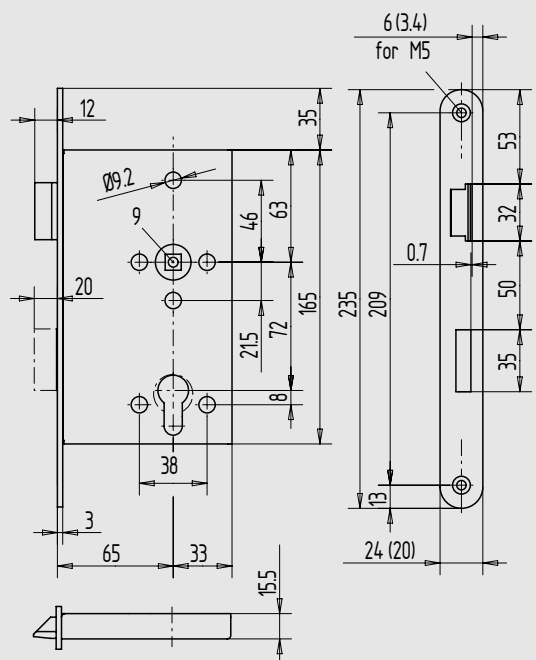
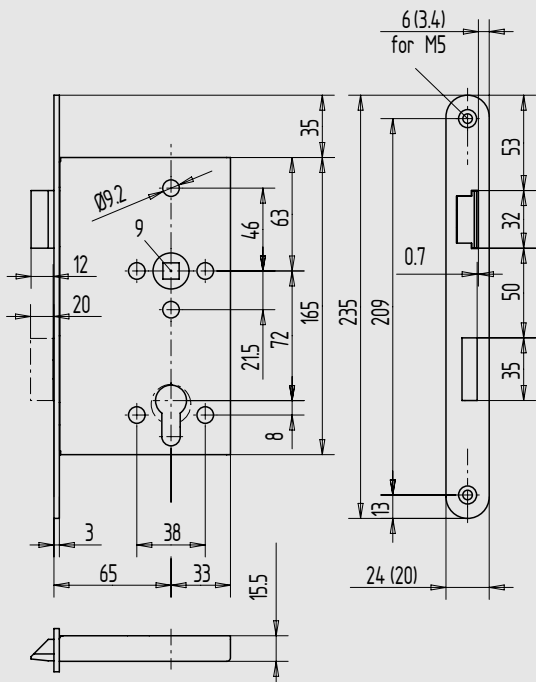


Illustration shows DIN right

Panic lock, function E, for single-leaf doors with flat front plate



- Function E (latch lever function)
- prepared for profile cylinder (1-turn), steel dead bolt 20 mm locking
- 72 mm distance
- with transmission
- for single-leaf doors
- 9 mm follower
- persistent follower

Art.-No.	Direction	Back-set	Flat front plate
01.508.6500.426	DIN right	65	Stainless Steel V2A, matt brushed
01.509.6500.426	DIN left	65	Stainless Steel V2A, matt brushed

Panic lock, function D, for single-leaf doors with flat front plate



- Function D (passage function)
- prepared for profile cylinder (1-turn), steel dead bolt 20 mm locking
- 72 mm distance
- with transmission
- for single-leaf doors
- 9 mm follower
- divided follower

Art.-No.	Direction	Back-set	Flat front plate
01.510.6500.426	DIN right	65	Stainless Steel V2A, matt brushed
01.511.6500.426	DIN left	65	Stainless Steel V2A, matt brushed

Panic lock, function B, for single-leaf doors with flat front plate



- Function B (switching function)
- prepared for profile cylinder (1-turn), steel dead bolt 20 mm locking
- 72 mm distance
- with transmission
- for single-leaf doors
- 9 mm follower
- divided follower



Art.-No.	Direction	Back-set	Flat front plate
01.512.6500.426	DIN right	65	Stainless Steel V2A, matt brushed
01.513.6500.426	DIN left	65	Stainless Steel V2A, matt brushed

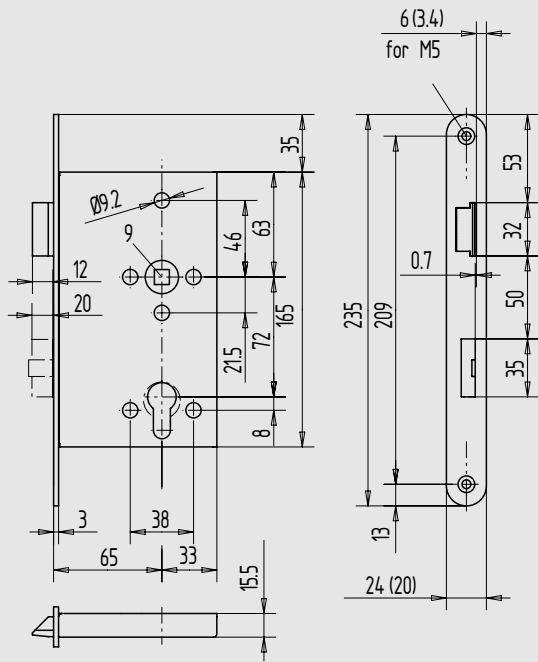


Illustration shows DIN right

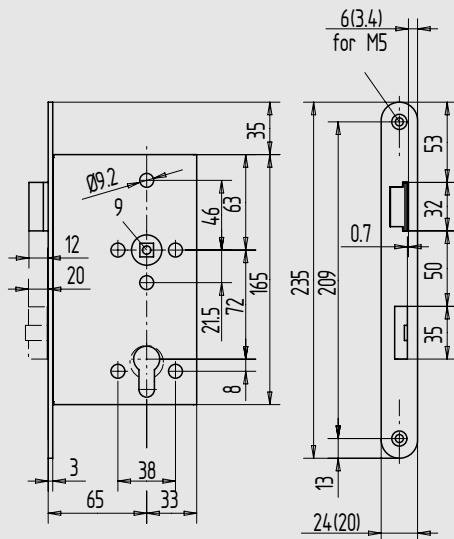


Illustration shows DIN right

Panic lock, function E, for double-leaf doors with flat front plate



- Function E (latch lever function)
- prepared for profile cylinder (1-turn), steel dead bolt 20 mm locking
- 72 mm distance
- with transmission
- for double-leaf doors
- 9 mm follower
- persistent follower

Art.-No.	Direction	Back-set	Flat front plate
01.516.6500.426	DIN right	65	Stainless Steel V2A, matt brushed
01.517.6500.426	DIN left	65	Stainless Steel V2A, matt brushed

Panic lock, function D, for double-leaf doors with flat front plate



- Function D (passage function)
- prepared for profile cylinder (1-turn), steel dead bolt 20 mm locking
- 72 mm distance
- with transmission
- for double-leaf doors
- 9 mm follower
- divided follower

Art.-No.	Direction	Back-set	Flat front plate
01.518.6500.426	DIN right	65	Stainless Steel V2A, matt brushed
01.519.6500.426	DIN left	65	Stainless Steel V2A, matt brushed

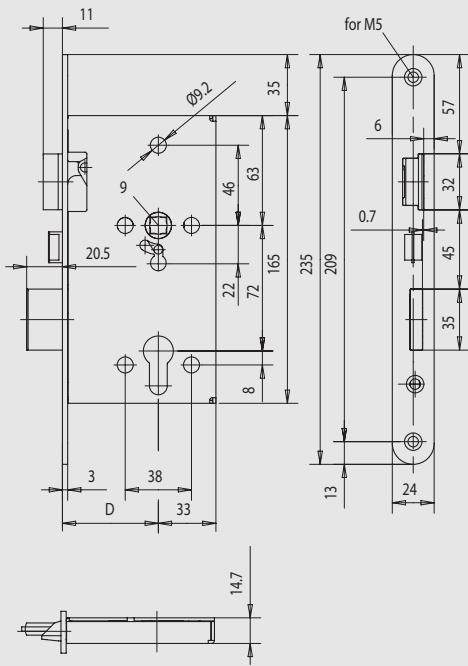
Panic lock, function B, for double-leaf doors with flat front plate



- Function B (switching function)
- prepared for profile cylinder (1-turn), steel dead bolt 20 mm locking
- 72 mm distance
- with transmission
- for double-leaf doors
- 9 mm follower
- divided follower

Available 08/2008 

Art.-No.	Direction	Back-set	Flat front plate
01.520.6500.426	DIN right	65	Stainless Steel V2A, matt brushed
01.521.6500.426	DIN left	65	Stainless Steel V2A, matt brushed



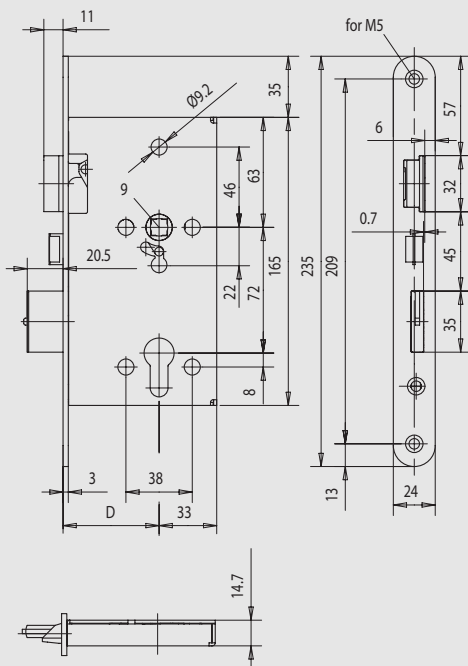
SI-Panic lock, function E, for single-leaf doors with flat front plate



- Function E (latch lever function)
- Dead bolt and latch lock automatically after shutting the door
- prepared for profile cylinder (1-turn), steel dead bolt 20,5 mm locking
- 72 mm distance
- with transmission
- for single-leaf doors
- 9 mm follower
- persistent follower
- Latch 1 mm protruding, dead bolt flush
- with control latch 4,5 mm protruding

Available 08/2008

Art.-No.	Direction	Back-set	Flat front plate
01.522.6500.426	DIN right	65	Stainless Steel V2A, matt brushed
01.523.6500.426	DIN left	65	Stainless Steel V2A, matt brushed



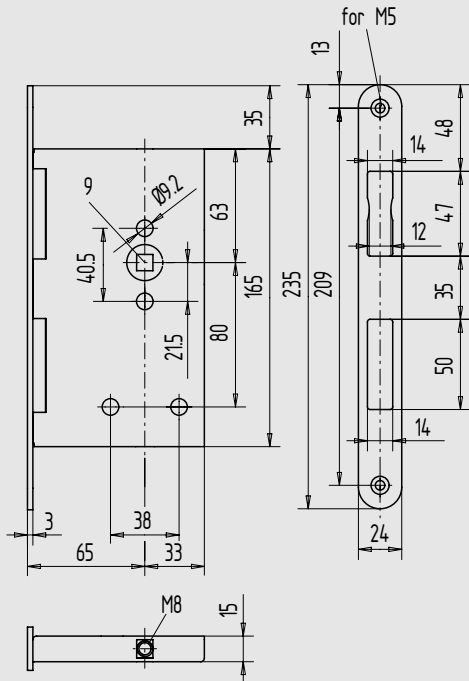
SI-Panic lock, function E, for double-leaf doors with flat front plate



- Function E (latch lever function)
- Dead bolt and latch lock automatically after shutting the door
- prepared for profile cylinder (1-turn), steel dead bolt 20,5 mm locking
- 72 mm distance
- with transmission
- for double-leaf doors (special dead bolt)
- 9 mm follower
- persistent follower
- Latch 1 mm protruding, dead bolt flush
- with control latch 4,5 mm protruding

Available 08/2008

Art.-No.	Direction	Back-set	Flat front plate
01.530.6500.426	DIN right	65	Stainless Steel V2A, matt brushed
01.531.6500.426	DIN left	65	Stainless Steel V2A, matt brushed



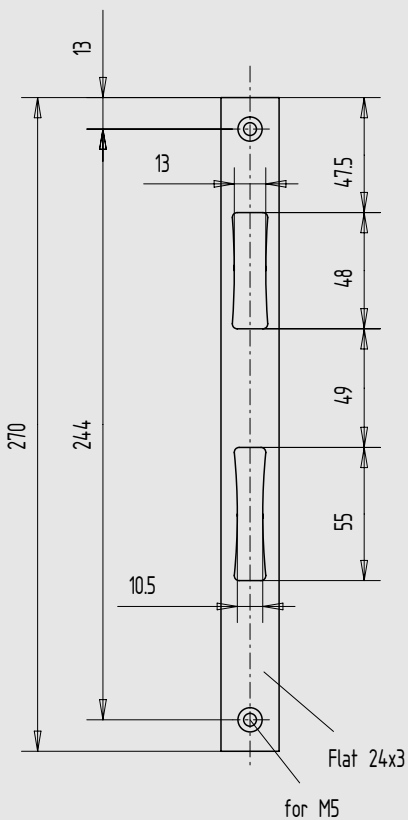
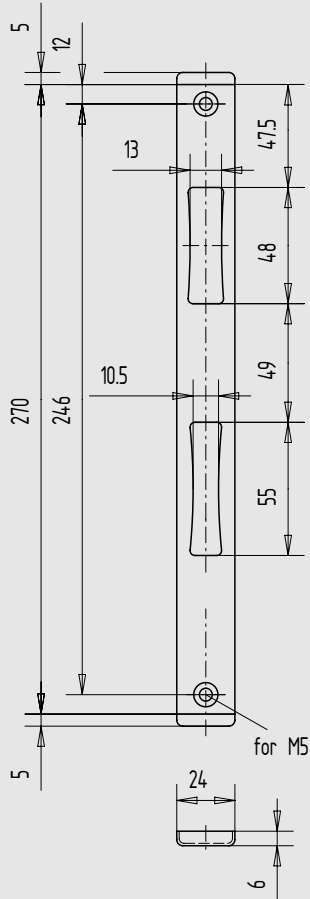
Panic counter box Standard + SI-panic for double-leaf doors with flat front plate



- 9 mm follower
- self-locking, for usage with top lock art.-no. 01.141.0000.010
- Connectors thread M8

Available
08/2008 

Art.-No.	Direction	Back-set	Flat front plate
01.536.6500.426	DIN right	65	Stainless Steel V2A, matt brushed
01.537.6500.426	DIN left	65	Stainless Steel V2A, matt brushed
265) Shifted rod-connectors to 30 mm backset			



Strike plate

- U-shape profile with PVC end caps
- right and left hand usable

Art.-No.	Size	Material/Surface
01.720.2401.426	24 x 6	Stainless Steel V2A, matt brushed

Strike plate

- Flat material
- right and left hand usable

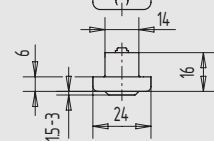
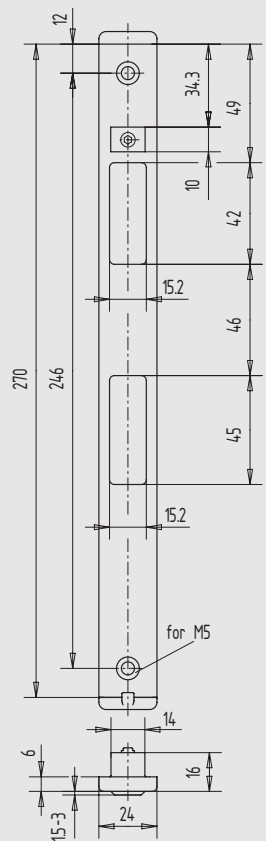
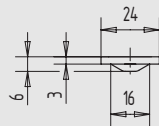
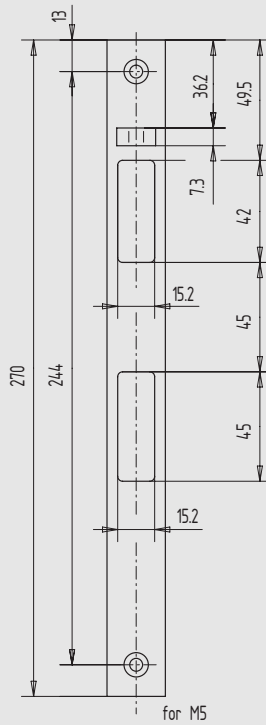
Art.-No.	Size	Material/Surface
01.724.2401.426	24 x 3	Stainless Steel V2A, matt brushed



Strike plate for SI-panic locks

- Flat material
- right and left hand usable

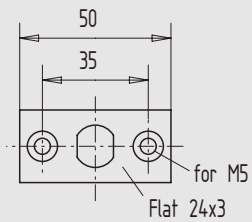
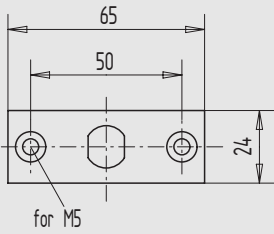
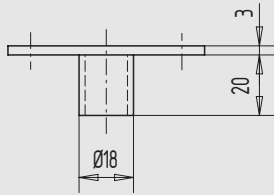
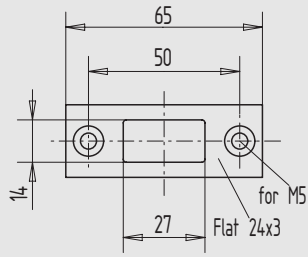
Art.-No.	Size	Material/Surface
01.730.2403.426	24 x 3	Stainless Steel V2A, matt brushed



Strike plate for SI-panic locks

- U-shape profile
- right and left hand usable

Art.-No.	Size	Material/Surface
01.730.2406.426	24 x 6	Stainless Steel V2A, matt brushed



Strike plate

Art.-No.	Material/Surface
01.820.2400.010	Steel, zinc-plated

Latch guide

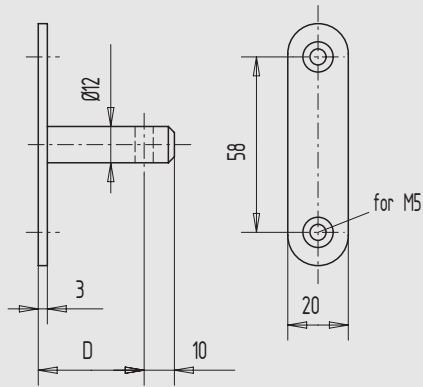
- from 35 mm backset

Art.-No.	Material/Surface
01.822.0000.010	Steel, zinc-plated

Latch guide

- for 30/34 mm backset

Art.-No.	Material/Surface
01.823.0000.010	Steel, zinc-plated



Rod guide

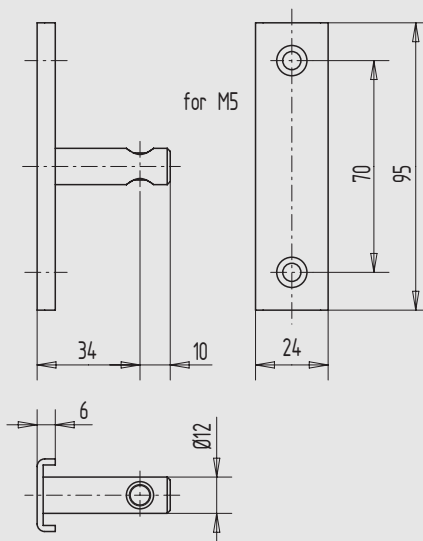
Art.-No.	B	Material/Surface
01.824.3000.010	30	Steel, zinc-plated
01.824.3500.010	35	Steel, zinc-plated
01.824.4000.010	40	Steel, zinc-plated
01.824.4500.010	45	Steel, zinc-plated

Rod guide, base plate 24 mm (without illustration)

Art.-No.	B	Material/Surface
01.824.3524.426	35	Stainless Steel V2A, matt brushed

Rod guide with U-shape front plate

Art.-No.	B	Material/Surface
01.824.3400.426	34	Stainless Steel V2A, matt brushed

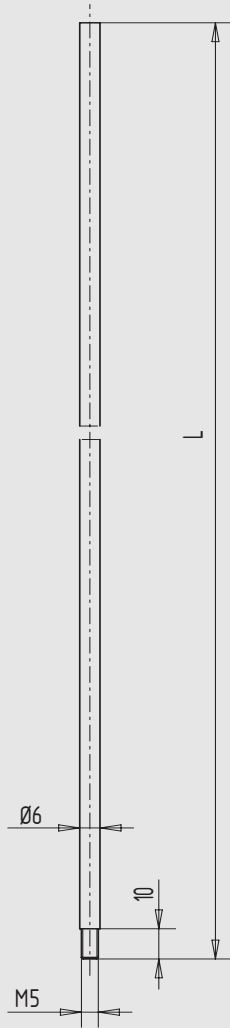


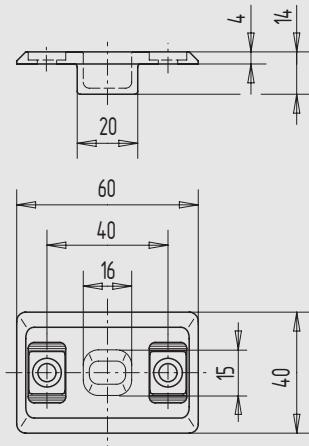


Connection rod

■ for customization

Art.-No.	Length	Material/Surface
01.825.1500.010	M5 x 1550	Steel, zinc-plated
01.825.2000.010	M5 x 2000	Steel, zinc-plated





Locking hutch

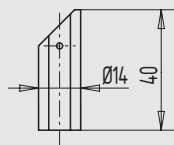
- with snap-in plates
- +/- 2,5 mm adjustable

Art.-No.	Material/Surface
01.830.0000.426	Stainless Steel V2A, matt brushed

Locking hutch (without illustration)

- with snap-in plates
- +/- 2,5 mm adjustable

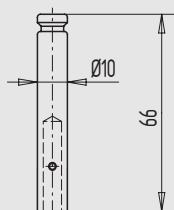
Art.-No.	Material/Surface
01.830.1000.426	Stainless Steel V2A, matt brushed



Latch

- hardened
- complete, with dowel pin

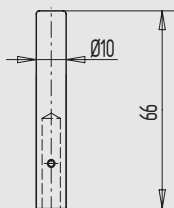
Art.-No.	Material/Surface
01.831.0000.010	Steel, zinc-plated



Locking piece, top

- complete, with dowel pin

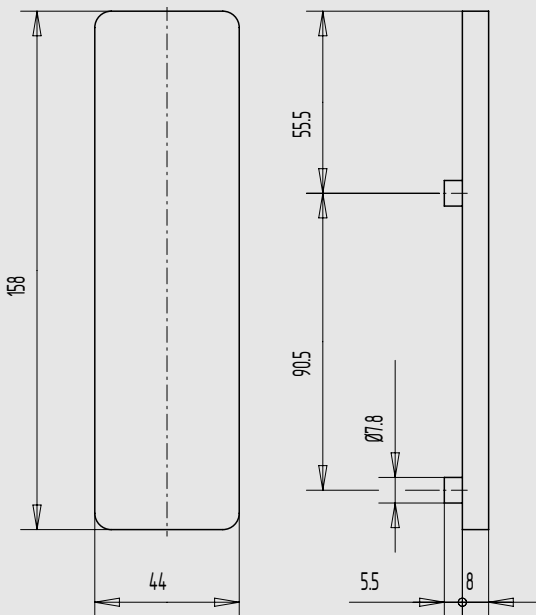
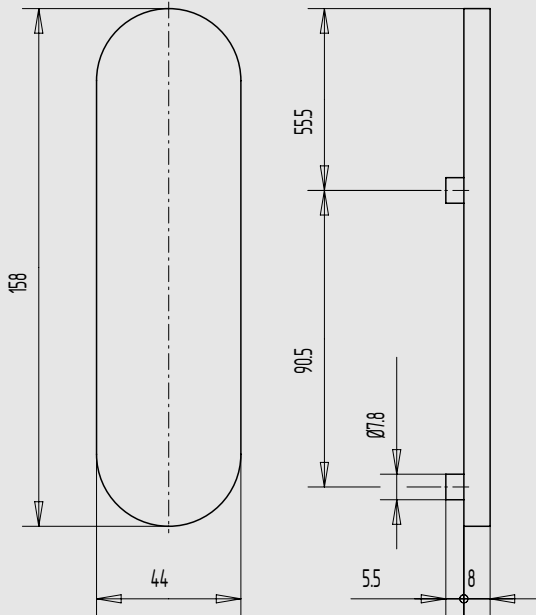
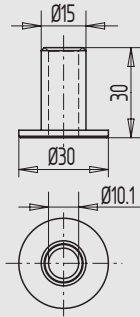
Art.-No.	Material/Surface
01.832.0000.010	Steel, zinc-plated



Locking piece, bottom

- complete, with dowel pin

Art.-No.	Material/Surface
01.833.0000.010	Steel, zinc-plated



Guiding bush

Art.-No.	Material/Surface
01.834.0000.405	Stainless Steel V2A, bright

Blind short plate

- for back-to-back screwing with panic-bar

Art.-Nr.	Material/Surface
02.518.0002.426	Stainless Steel V2A, matt brushed

Blind short plate

- for back-to-back screwing with panic-bar

Art.-Nr.	Material/Surface
02.519.0002.426	Stainless Steel V2A, matt brushed

One for all.

Many possibilities around one system.

Self-opening.

Doors need not to be opened by key, because they can be opened by the **transponder** in an area of approx. 1,2 meters.



Play safe.

Entrance control systems enable to give individual **numerically codes** and provide more security.



Let your finger scan.

SI-panic locks can be opened with a **fingerscan-system** for 100 % security.



Knowing who leaves.

The SI-panic locks enable the efficient **building management** with additional components. You permanent know who is located where.



Lasting open.

The SI-panic motor locks are equipped with a **long-term-open function**. Within this time anybody can enter the building.



Alarm.

Activation and deactivation of **alarm systems** is possible with additional components.



Come on!

Revolving door drives can be automatically activated by entering the the reaction area with a transponder.



There's something more.
There are even more individual solutions to activate the motor lock then shown.

Art-No.	Description	Quantity
01.190.1000.000	Control unit „LOC door terminal“	1 piece
05.840.0000.550	Reedcontact (concealed-/or on-lying)	1 piece
01.154...426	SI-panic motor lock	1 piece
01.190.3000.000	Connection cable 10 m with plug RJ45, loose	1 piece
Optional		
05.820...-on lying	Cable transition	1 piece
05.800...-concealed	(optional with pre-converted cable)	
01.190.4000.000	Power supply unit 230V/12V concealed	1 piece

WSS

**WILH. SCHLECHTENDAHL
& SÖHNE GMBH & CO. KG**

Mozartstraße 4-12
DE-42579 Heiligenhaus

Mail box 10 05 52/62
DE-42570 Heiligenhaus

Phone: +49 (0) 20 56/17-0
Fax: +49 (0) 20 56/51 42

Web: www.wss.de
E-Mail: export@wss.de