

Handles



Handles

Creative ideas for glass doors –
Highlights for every entrance.



CONTENTS



Technical details

344



Materials and surface finishes

345

Product information

Handles:

Bent form

346

Neck and mitred joint form

347



Glass preparation

344



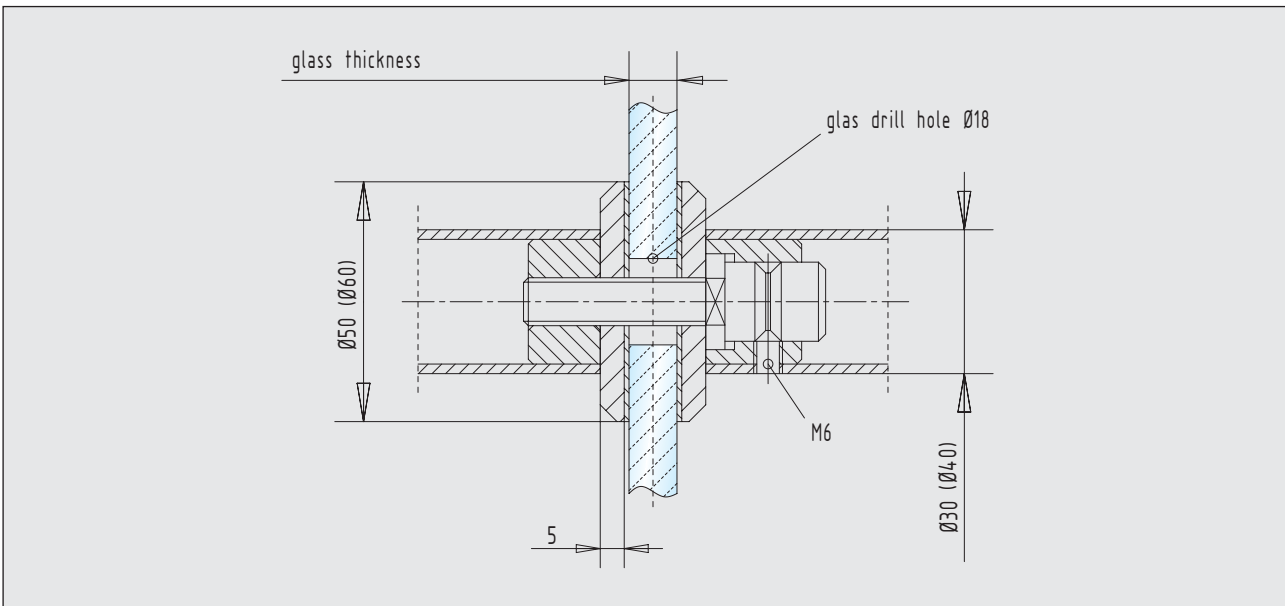
Technical details

Information:

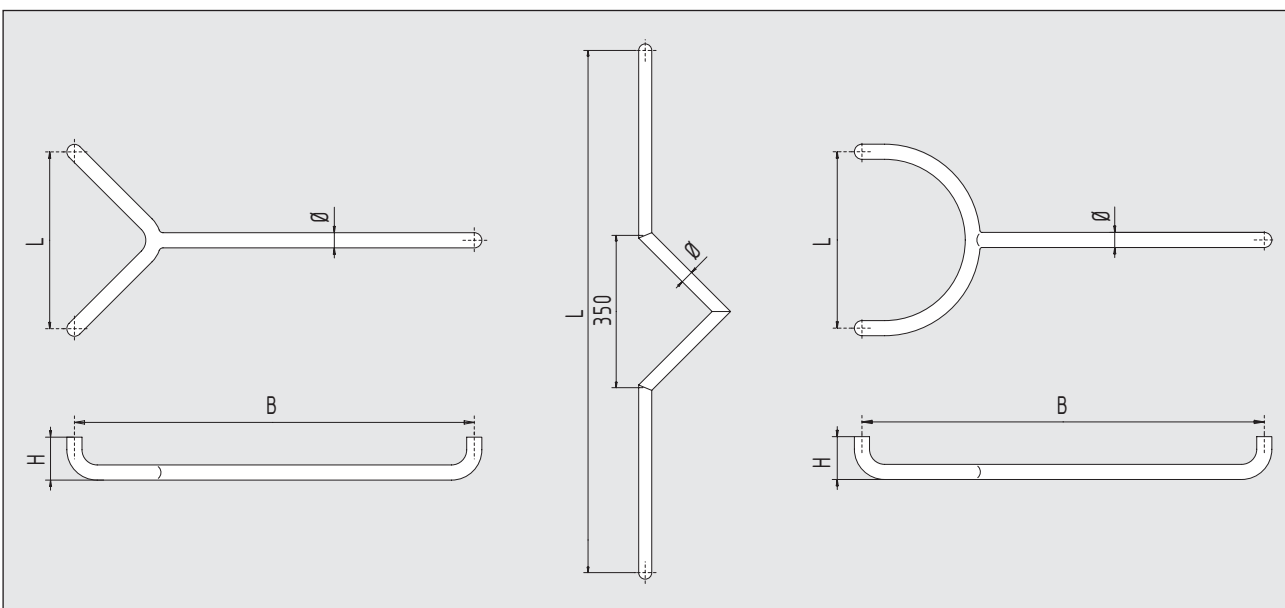
Handles with 30 mm and 40 mm diameter are available in the materials aluminium, brass and stainless steel and can be fixed on 8 - 19 mm thick glass.

Further design, materials and measures can also be delivered. Catalogues are available on request.

Glass preparation - handles with back to back fixing



Handles - individual design



Handles also manufactured to individual design. Please send us drawing or sketch.

Materials and surface finishes

Materials	Surface finishes code	Handles
Aluminium	E4/C-0 silver ... 112	●
	RAL 9010 pure white ... 250	●
	RAL 9016 traffic white ... 255	●
	E4/S5/EV 5 similar gold ... 132	●
	E4/C 34 dark bronze ... 152	●
	special anodized ... 199	●
	RAL coated ... 295	●
Brass	polished ... 316	●
	matt brushed ... 326	●
Stainless Steel	satin ... 426	●
	polished ... 416	●

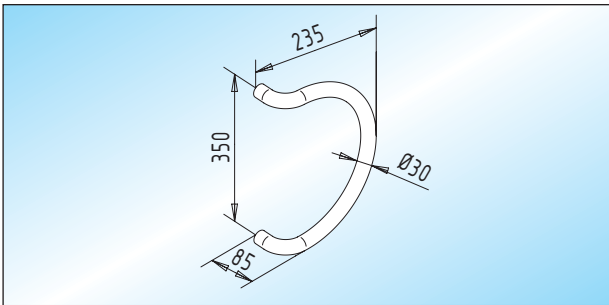
Information:

Handles in brass will be delivered without clear lacquer.
These handles need regular cleaning.



Bent form

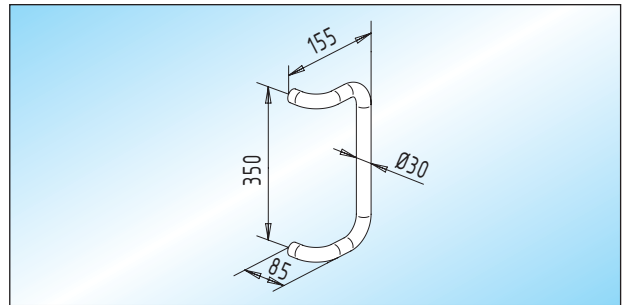
- handles with back to back fixings



Handles

handles / semicircle form, 350 mm fixing centres

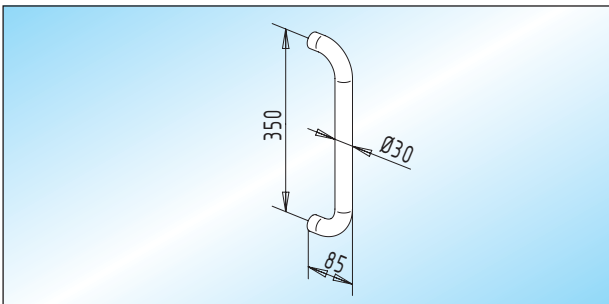
Ø	L	H	
30 mm	350 mm	85 mm	37.100.0800. ____
40 mm	350 mm	100 mm	37.102.0800. ____



Handles

handles / curved form, 350 mm fixing centres

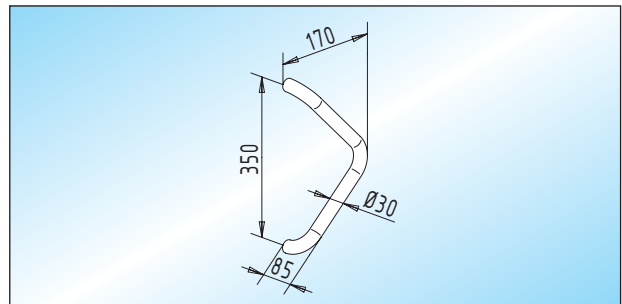
Ø	L	H	
30 mm	350 mm	85 mm	37.120.0800. ____
40 mm	350 mm	100 mm	37.122.0800. ____



Handles

handles / straight form, 350 mm fixing centres
fixed lengths: 300 - 2.300 mm! (dimension upon request)

Ø	H	max.	Standard	Fix
30 mm	85 mm	2.000 mm	37.110.0800. ____	37.112.0800. ____
40 mm	95 mm	2.300 mm	37.114.0800. ____	37.116.0800. ____



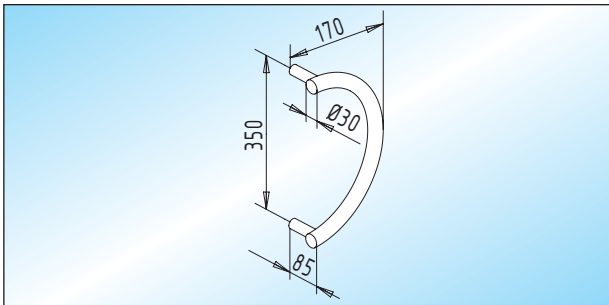
Handles

handles / triangle form, 350 mm fixing centres

Ø	L	H	
30 mm	350 mm	85 mm	37.130.0800. ____
40 mm	350 mm	100 mm	37.132.0800. ____

Neck and mitred joint form

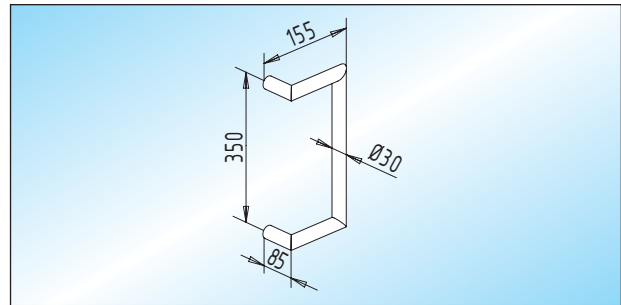
- handles with back to back fixings



Handles

handles / semicircle form, 350 mm fixing centres
Available in stainless steel!

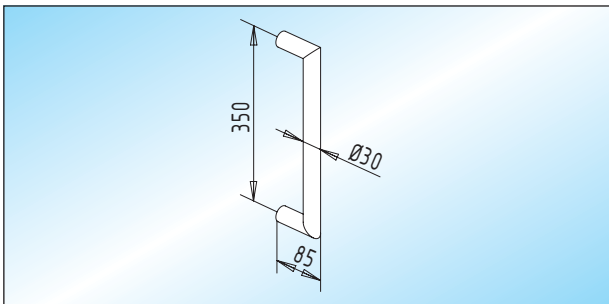
Ø	L	H	
30 mm	350 mm	85 mm	37.200.0800. ____
40 mm	350 mm	95 mm	37.202.0800. ____



Handles

handles / angled form, 350 mm fixing centres
Available in stainless steel!

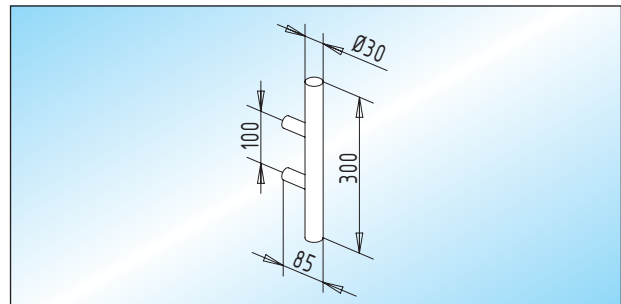
Ø	L	H	
30 mm	350 mm	85 mm	37.220.0800. ____
40 mm	350 mm	95 mm	37.222.0800. ____



Handles

handles / straight form, 350 mm fixing centres
fixed lengths: 300 - 2.300 mm! (dimension upon request)
Available in stainless steel!

Ø	H	max.	Standard	Fix
30 mm	85 mm	2.000 mm	37.210.0800. ____	37.212.0800. ____
40 mm	95 mm	2.300 mm	37.214.0800. ____	37.216.0800. ____



Handles

handles / straight form, 300 mm lengths overall
fixed lengths: 300 - 2.300 mm! (fixing distance upon request)
Available in stainless steel!

Ø	H	max.	Standard	Fix
30 mm	85 mm	2.000 mm	37.230.0800. ____	37.232.0800. ____
40 mm	95 mm	2.300 mm	37.234.0800. ____	37.236.0800. ____





Notes

