

Clamping fittings



Clamping fittings

Emphasis for a special material.



16



CONTENTS



Technical details 336



Materials and surface finishes 337

Product information

Clamping fittings:

Straight and round pipe 338 - 339

Security pin 339





Technical details

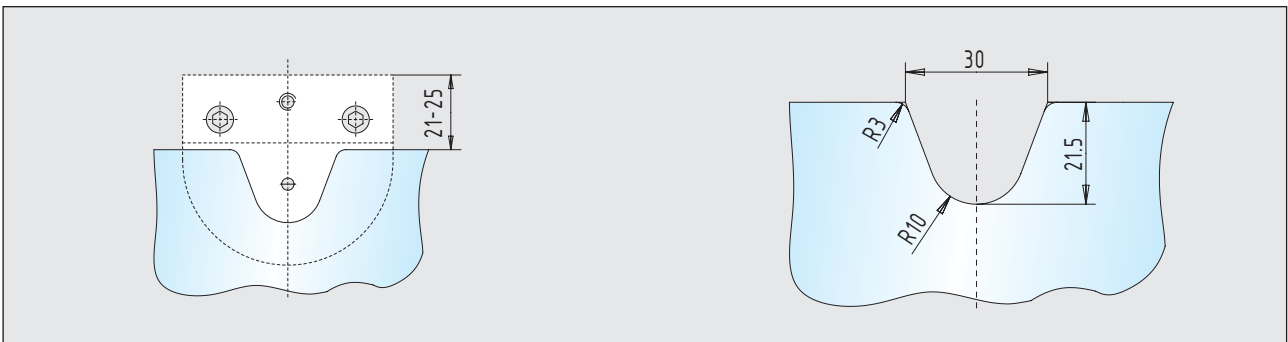
Clamping fittings - standard



Clamping fittings are available for use with straight and round pipe and can be used on stair rails, balcony glazing and balustrades.

With an additional security pin special security aspects will be considered (see below).

Glass preparation - clamping fittings with security pin



For safety reasons it is advisable to use a security pin for clamping fittings at side (overhead glazing).

The glass preparation is only necessary when using a security pin.

Technical Features

- Suitable for 6 - 12 mm thick glass
- Available with fixing hole alternatively with thread
- Stainless steel screws M6/M8 (torque settings 10/16 Nm)
- No glass preparation required (exception: security pin)
- TÜV tested and certified (technical control board - Germany)

Information:

It is the responsibility of the local regulatory authorities to approve the use of clamping fittings when used in conjunction with vertical overhead glazing.

Please refer to the German Institute for Building Technology (DIBt) for installation guidelines within the German market.

Materials and surface finishes

Materials	Surface finishes code	Clamping fittings
Zinc casting	silver coated ... 730	●
	RAL 9010 pure white ... 750	●
	RAL 9016 traffic white ... 755	●
	satin chrome ... 772	●
	polished chrome ... 774	●
	RAL coated ... 795	●
Brass	polished ... 318	●
	matt brushed ... 328	●
	satin chrome ... 372	●
	poliert verchromt ... 374	●
Stainless steel	satin ... 426	●
	polished ... 416	●

Information:

Clamping fittings 36.120.0200.____ up to 36.136.0200.____ are also available in aluminium.

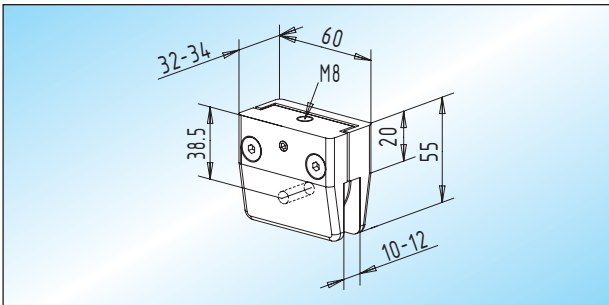
When using clamping fittings in conjunction with unsupported glass please ensure the glass is drilled to accept the additional security pin and the glass clamp is secured to an adjacent structure using a suitable fixing. Please refer to our customers sales department for further information.

The security pin is not supplied as standard, but can be ordered separately.



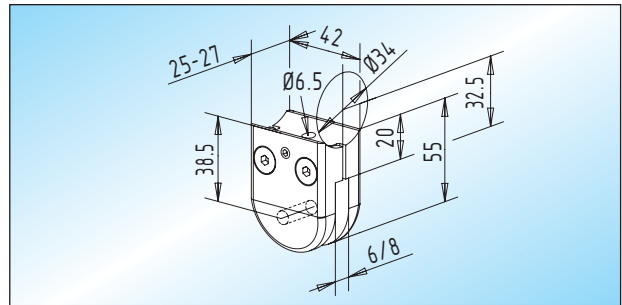


Straight and round pipe



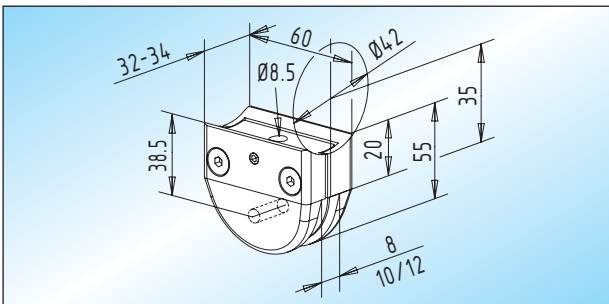
Clamping fitting
clamping fitting, 60 mm wide
Available in zinc casting!

Glass	support	M8
10 - 12 mm	straight	36.100.1000.



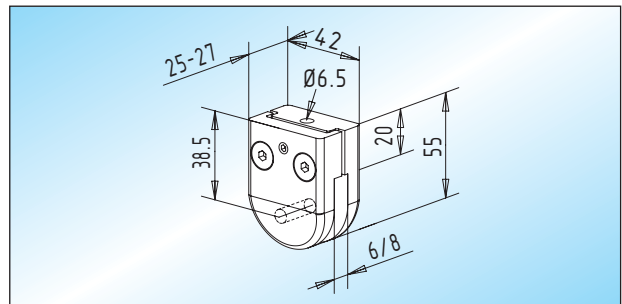
Clamping fitting
clamping fitting, 42 mm wide
Available in zinc casting!

Glass	support	Ø 6,5	M6
6 - 8 mm	Ø 34 mm pipe	36.120.0200.	36.122.0200.



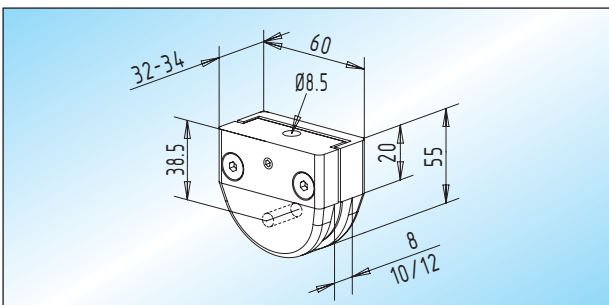
Clamping fitting
clamping fitting, 60 mm wide
Available in zinc casting!

Glass	support	Ø 8,5	M8
8 mm	Ø 42 mm pipe	36.110.0400.	36.112.0400.
10 - 12 mm	Ø 42 mm pipe	36.110.1000.	36.112.1000.



Clamping fitting
clamping fitting, 42 mm wide
Available in zinc casting!

Glass	support	Ø 6,5	M6
6 - 8 mm	straight	36.124.0200.	36.126.0200.

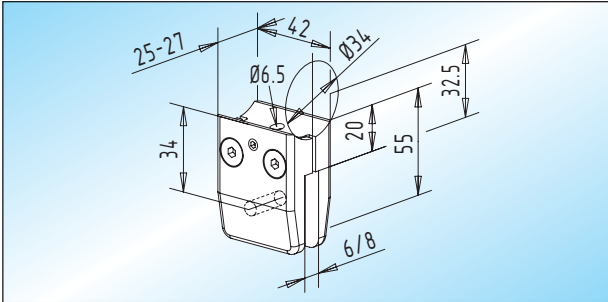


Clamping fitting
clamping fitting, 60 mm wide
Available in zinc casting!

Glass	support	Ø 8,5	M8
8 mm	straight	36.114.0400.	36.116.0400.
10 - 12 mm	straight	36.114.1000.	36.116.1000.

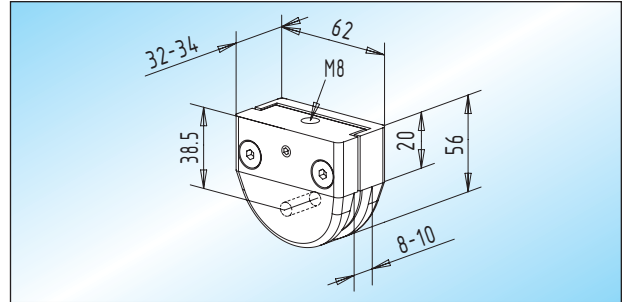
16

Straight and round pipe



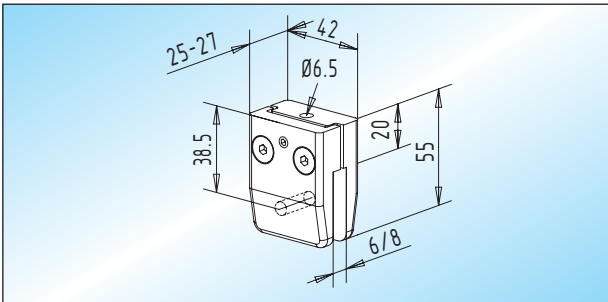
Clamping fitting
clamping fitting, 42 mm wide
Available in zinc casting!

Glass	support	ø 6,5	M6
6 - 8 mm	ø 34 mm pipe	36.130.0200.____	36.132.0200.____



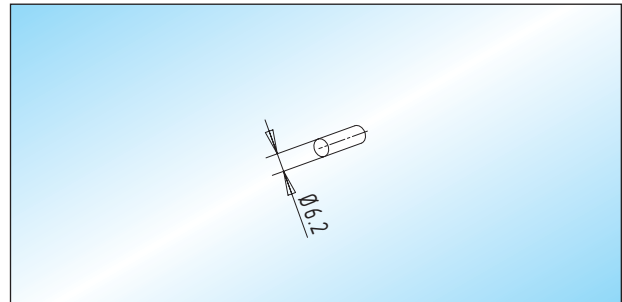
Clamping fitting
clamping fitting, 62 mm wide
Available in brass and stainless steel!

Glass	support	M8
8 - 10 mm	straight	36.142.0500.____



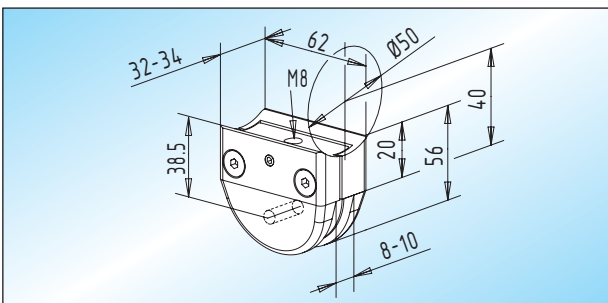
Clamping fitting
clamping fitting, 42 mm wide
Available in zinc casting!

Glass	support	ø 6,5	M6
6 - 8 mm	straight	36.134.0200.____	36.136.0200.____



Security pin
stainless steel security pin to suit clamping fittings
36.100.1000.____ to 36.142.0500.____

Glass	
6 - 12 mm	36.200.0300.405



Clamping fitting
clamping fitting, 62 mm wide
Available in brass and stainless steel!

Glass	support	M8
8 - 10 mm	ø 50 mm pipe	36.140.0500.____



Notes