

Single action door patch fittings



Single action door patch fittings

The flexible system for all installation situations.

11



CONTENTS



Technical details 232 - 235



Materials and surface finishes 236

Product information

Patch fittings /
none rebated frame 237 - 238

Patch fittings /
24 mm frame rebate depth 239

Patch fittings /
25 - 45 mm frame rebate depth 240

Accessories 241



Glass preparation 242 - 248

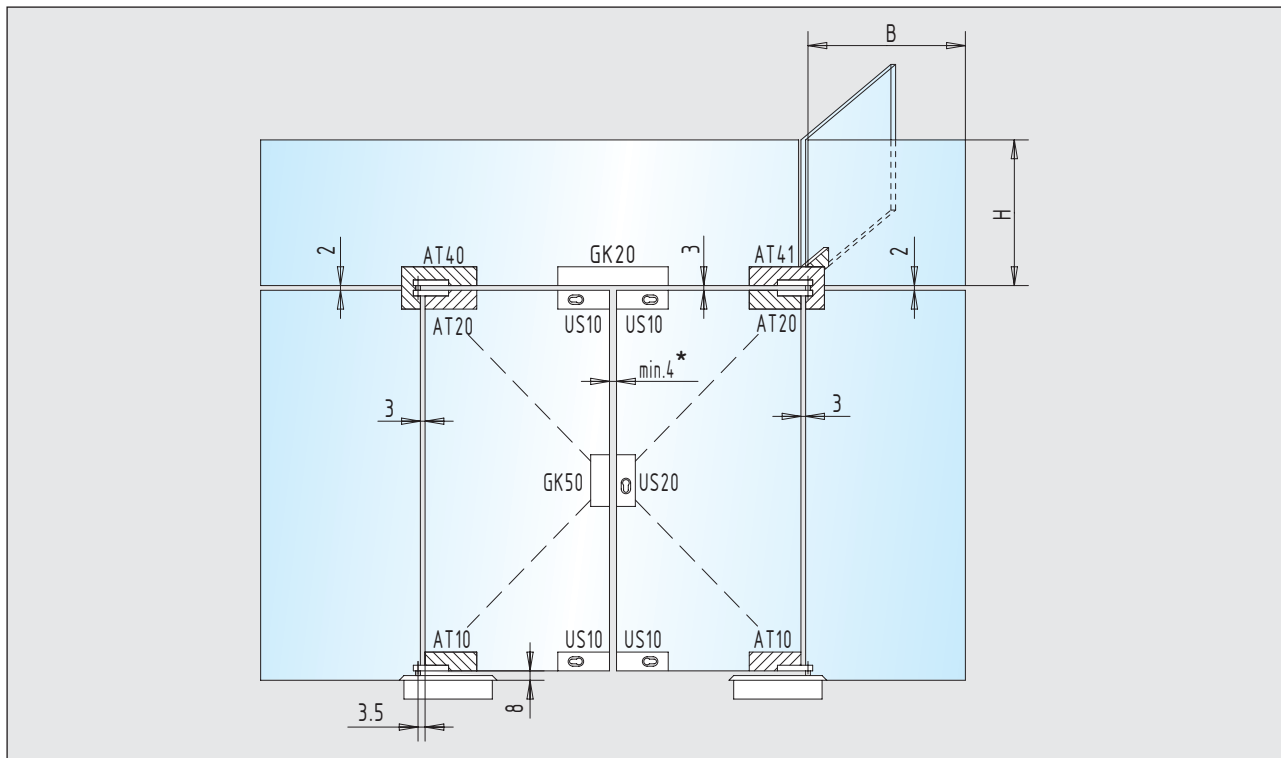




Technical details

Summary and position

11



Position	Description	Page
AT 10	bottom pivot patch fitting	237
AT 20	top pivot patch fitting	237
AT 40	transom / sidepanel pivot patch fitting	237
AT 41	transom / sidepanel pivot patch fitting with fin - right hand	238
US 10 - GK 50	locks and strike boxes	249 – 281

door width	*clearance
400 – 600 mm	11 mm
601 – 1.000 mm	8 mm
1.001 – 1.200 mm	6 mm

A minimum 3 mm clearance is required between door to sidepanel and minimum 4 mm between door to door.

All-glass constructions with stabilizing fins:

Stabilizing fins should be used on any all-glass assembly when the following conditions apply:

Formula:
 $B + H \geq 1.400 \text{ mm}$

For information regarding the correct size and installation of a stabilizing fin please refer to a specialist glazing contractor.

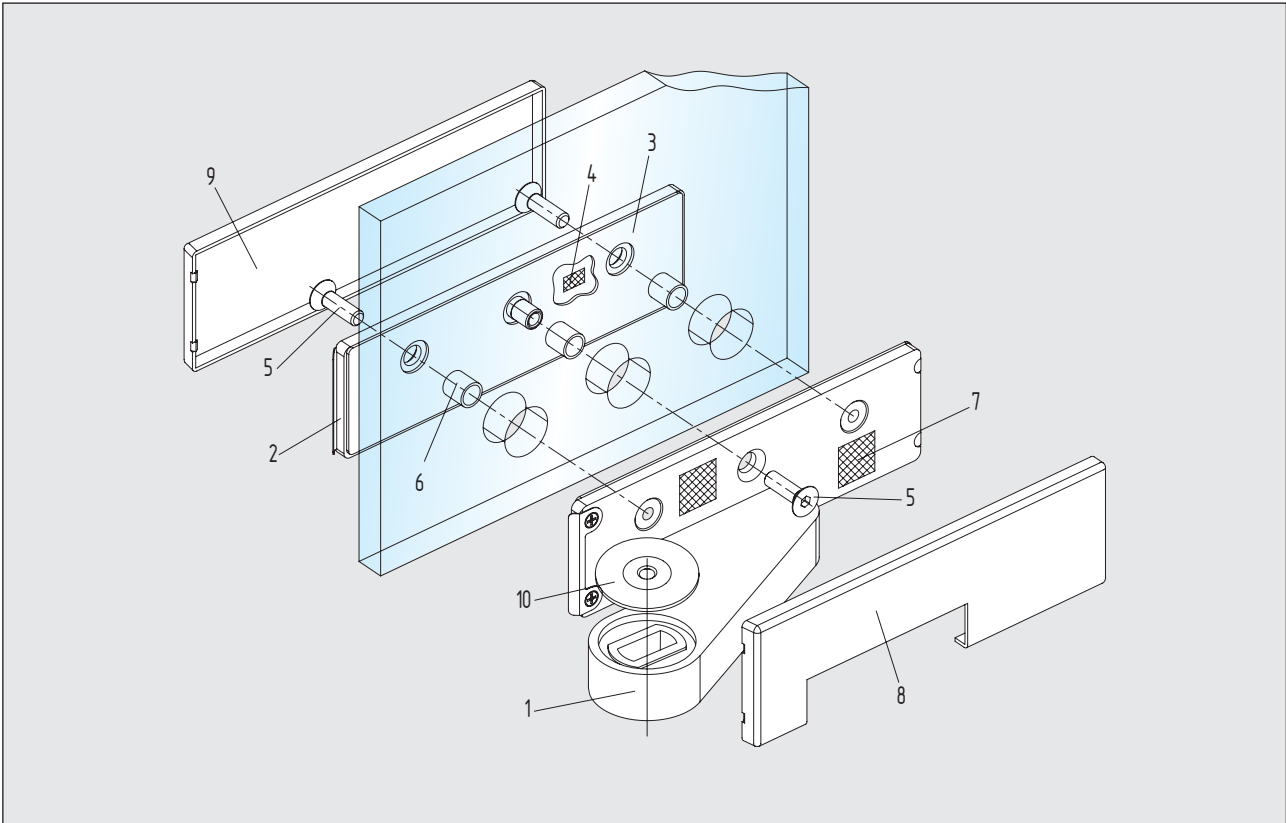
Information:

When specifying, installing patch fittings please ensure all local, national, international and manufactures regulations and guidelines are complied with.



Technical details

Pivot patch fittings



Assembly information

1. Glass and gaskets have to be dust- and grease free
 2. Select the appropriate gaskets according to glass thickness
 3. Assemble base fittings on glass door leaf
 4. Covers to be clipped on assembled base fittings
- Assembly instructions are enclosed with the fittings

Components

- | | |
|--------------------------|---------------------|
| 1 base fitting/lever arm | 6 isolation sleeves |
| 2 base fitting | 7 adhesive pads |
| 3 gaskets | 8 cover |
| 4 adhesive pads | 9 cover |
| 5 fixing screws | 10 cover plate |

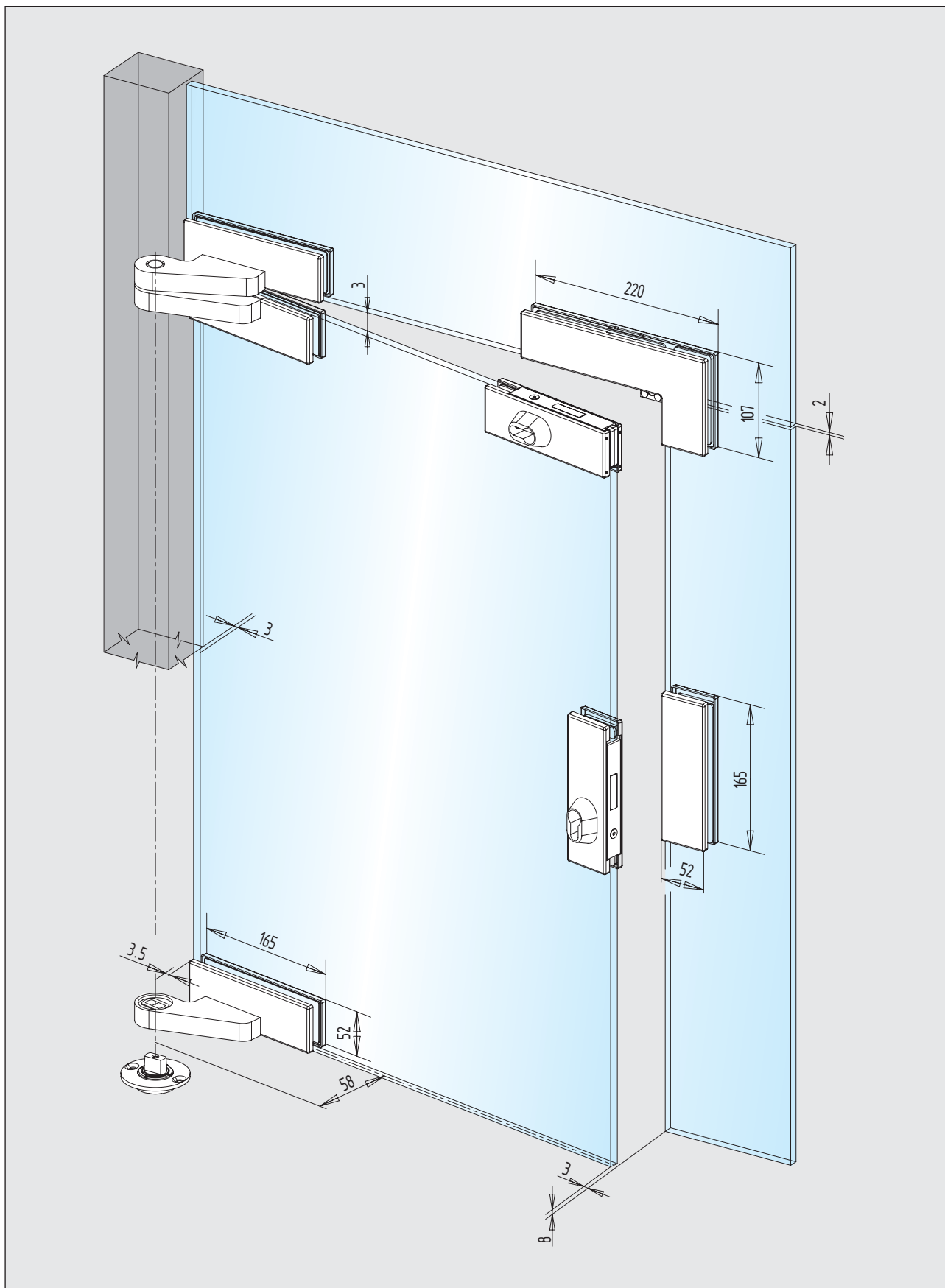
Technical Features

- Suitable for 8 - 15 mm thick glass as standard
- none rebated frame / 24 - 45 mm frame rebate depth available
- Standard glass preparation details
- Covers in aluminium, brass and stainless steel
- Lever arm in aluminium and brass
- Base fittings manufactured from solid steel - black coated
- Stainless steel screws M6 (torque setting 10 Nm)
- Tested to more than 500.000 closing cycles
- Patented innovation
- **max. size: 1.100 x 2.400 mm** (24 mm frame rebate depth)
max. weight: 100 kg (bottom and top pivot patch fitting)
- **max. size: 1.200 x 2.400 mm** (24 mm frame rebate depth)
max. weight: 120 kg (bottom door rail and top pivot patch fitting)

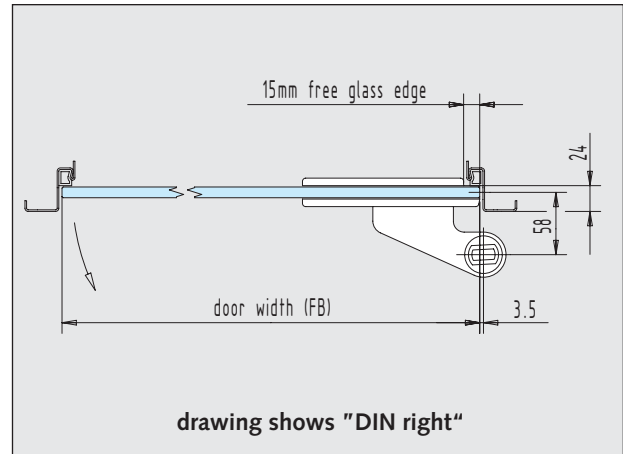
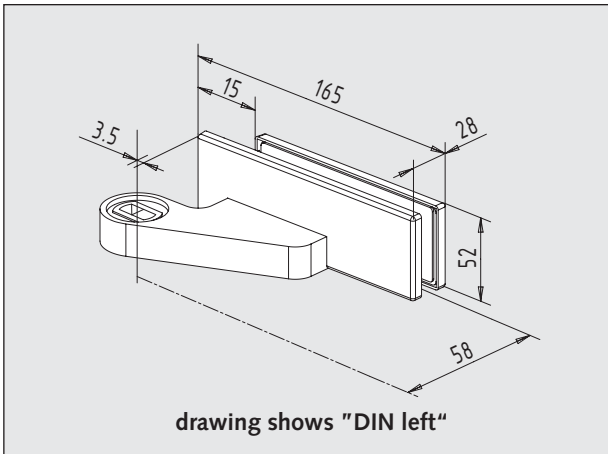


Technical details

11



Technical details



Offset and frame rebate depth

- patch fitting with standard 58 mm offset suitable for 24 mm frame rebate depth (see drawing)
- patch fittings suitable for 25 - 45 frame rebate depth are also available
- The offset is determined by measuring between the centre line of the glass to the pivot point centre.
- Formula: frame rebate depth - 24 mm + 58 mm = offset
 Example: 40 mm - 24 mm + 58 mm = 74 mm

Patch fittings widths

- using 8 mm glass: 26 mm wide
- using 10 mm glass: 28 mm wide (see drawing)
- using 12 mm glass: 28 mm wide (see drawing)
- using 15 mm glass: 31 mm wide



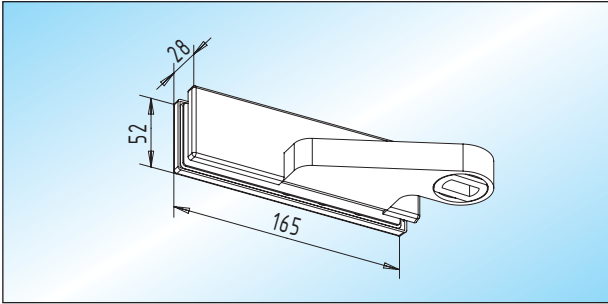
Materials and surface finishes

Materials	Surface finishes code	Single action door patch fittings
Aluminium	mill finish ... 105	●
	E4/C-0 silver ... 112	●
	RAL 9010 pure white ... 250	●
	RAL 9016 traffic white ... 255	●
	E4/S5/EV 5 similar gold ... 132	●
	E4/C 34 dark bronze ... 152	●
	E4/C 31 similar stainless steel ... 137	●
	special anodized ... 199	●
	RAL coated ... 295	●
Brass	polished ... 318	●
	matt brushed ... 328	●
	satin chrome ... 372	●
	polished chrome ... 374	●
	velour nickel plated ... 376	●
Stainless Steel	satin ... 426	●
	polished ... 416	●

Information:

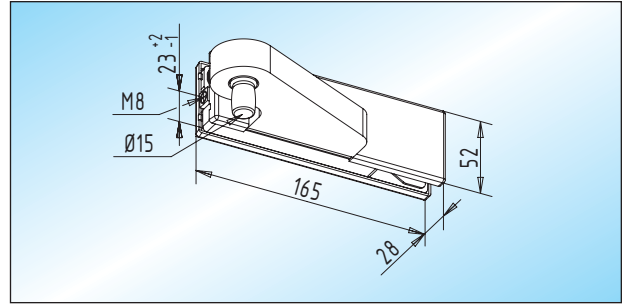
When using patch fittings with stainless steel covers the lever arms and fixing plate will be supplied in brass. These items will be supplied with a surface finish to match the main coverplates.

None rebated frame



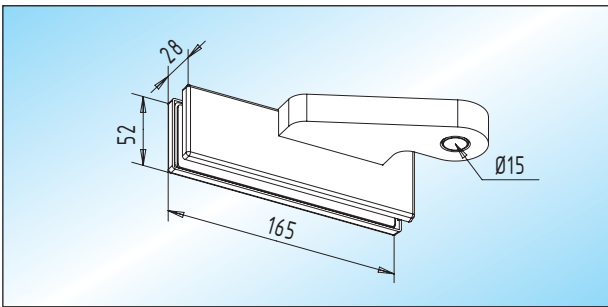
AT 10 - Bottom pivot patch fitting
bottom pivot patch fitting with lever arm
to suit flat-tapered floor spring spindle

Glass	DIN left	DIN right
8-15 mm	31.100.0710.____	31.100.0720.____



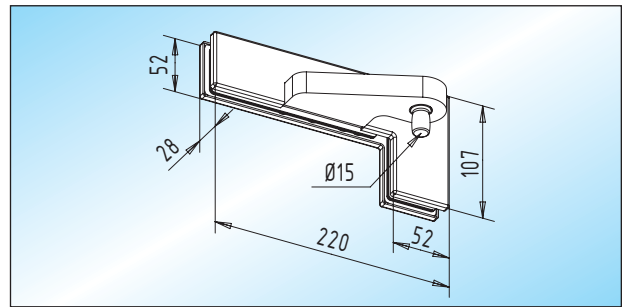
AT 30 - Transom pivot patch fitting
transom pivot patch fitting with lever arm
and Ø 15 mm pivot pin

Glass	DIN left	DIN right
8-12 mm	31.104.0610.____	31.104.0620.____
15 mm	31.104.1210.____	31.104.1220.____



AT 20 - Top pivot patch fitting
top pivot patch fitting with lever arm
for Ø 15 mm pivot pin

Glass	DIN left	DIN right
8-15 mm	31.102.0710.____	31.102.0720.____



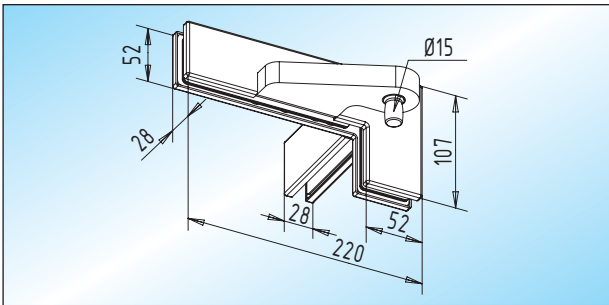
AT 40 - Transom / sidepanel pivot patch fitting
transom / sidepanel pivot patch fitting with lever arm
and Ø 15 mm pivot pin

Glass	DIN left	DIN right
8-15 mm	31.106.0710.____	31.106.0720.____



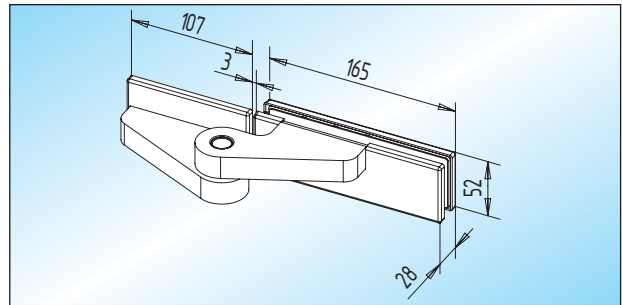
None rebated frame

11



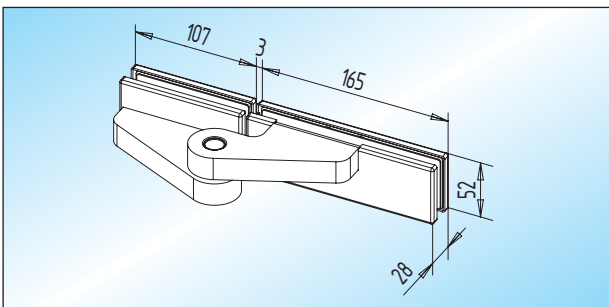
AT 41 - Transom / sidepanel pivot patch fitting / fin one-side
transom / sidepanel pivot patch fitting with lever arm and $\varnothing 15$ mm pivot pin, with fin one-side

Glass	DIN left	DIN right
8-15 mm	31.108.0710. ___	31.108.0720. ___



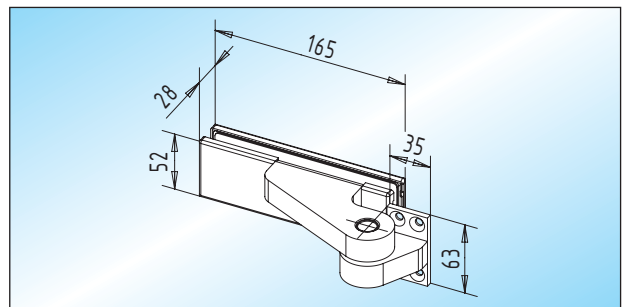
AT 29 - Top pivot patch fitting / glass-wall
top pivot patch fitting to suit Roman arch doors, with wall fixing plate, max. 35 kg door weight when used as a pair

Glass	DIN left	DIN right
8-15 mm	31.112.0710. ___	31.112.0720. ___



AT 28 - Top pivot patch fitting / glass-glass
top pivot patch fitting to suit Roman arch doors with glass sidepanel, max. 35 kg door weight when used as a pair

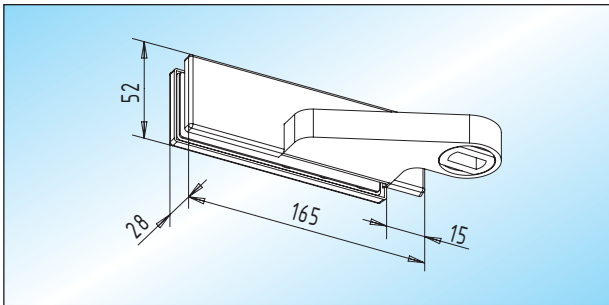
Glass	DIN left	DIN right
8-15 mm	31.110.0710. ___	31.110.0720. ___



AT 29.1 - Top pivot patch fitting / glass-frame
top pivot patch fitting to suit Roman arch doors, with frame fixing plate, max. 35 kg door weight when used as a pair

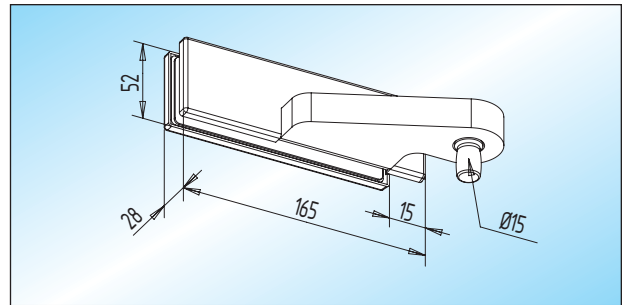
Glass	DIN left	DIN right
8-15 mm	31.114.0710. ___	31.114.0720. ___

24 mm frame rebate depth



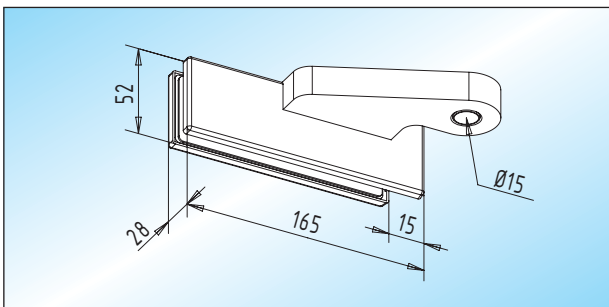
AT 10.1 - Bottom pivot patch fitting
bottom pivot patch fitting with **one** 15 mm free glass edge and lever arm to suit flat-tapered floor spring spindle

Glass	DIN left	DIN right
8-15 mm	31.200.0710. ___	31.200.0720. ___



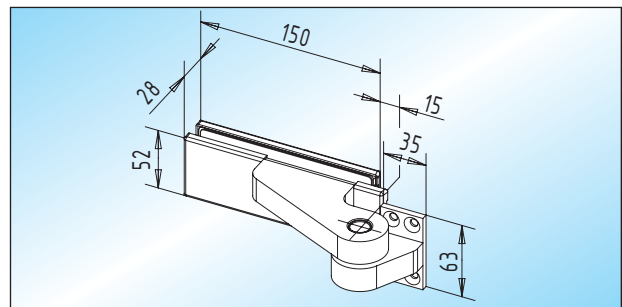
AT 30.1 - Transom pivot patch fitting
transom pivot patch fitting with **one** 15 mm free glass edge and lever arm with Ø 15 mm pivot pin

Glass	DIN left	DIN right
8-15 mm	31.206.0710. ___	31.206.0720. ___



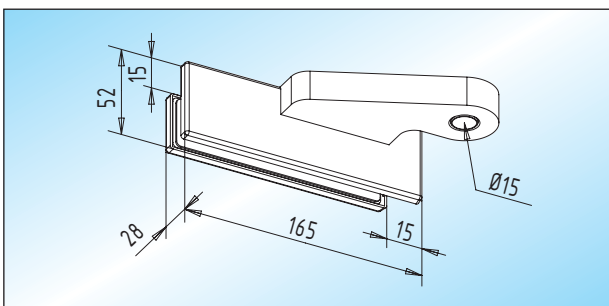
AT 20.1 - Top pivot patch fitting
top pivot patch fitting with **one** 15 mm free glass edge and lever arm for Ø 15 mm pivot pin

Glass	DIN left	DIN right
8-15 mm	31.202.0710. ___	31.202.0720. ___



AT 29.2 - Top pivot patch fitting / glass-frame
top pivot patch fitting with **one** 15 mm free glass edge to suit Roman arch doors, with frame fixing plate, max. 35 kg door weight when used as a pair

Glass	DIN left	DIN right
8-15 mm	31.208.0710. ___	31.208.0720. ___



AT 20.2 - Top pivot patch fitting
top pivot patch fitting with **two** 15 mm free glass edges and lever arm for Ø 15 mm pivot pin

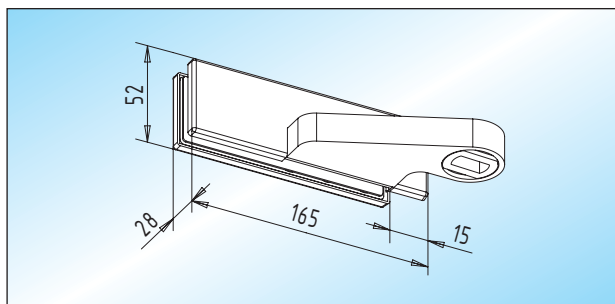
Glass	DIN left	DIN right
8-15 mm	31.204.0710. ___	31.204.0720. ___



25 – 45 mm frame rebate depth

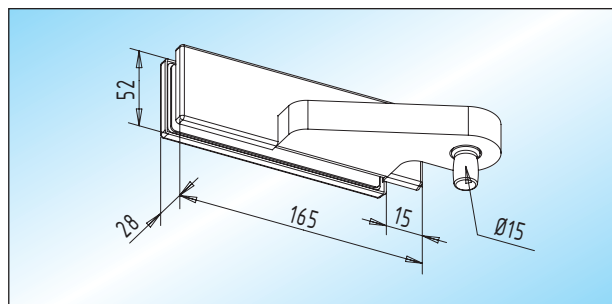
■ Please specify frame rebate depth!

11



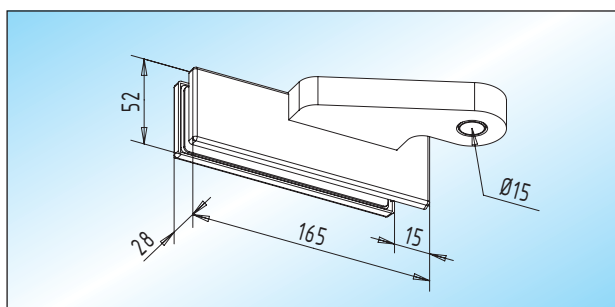
AT 10.3 - Bottom pivot patch fitting
bottom pivot patch fitting with **one** 15 mm free glass edge and lever arm to suit flat-tapered floor spring spindle

Glass	DIN left	DIN right
8-15 mm	31.300.0710.____	31.300.0720.____



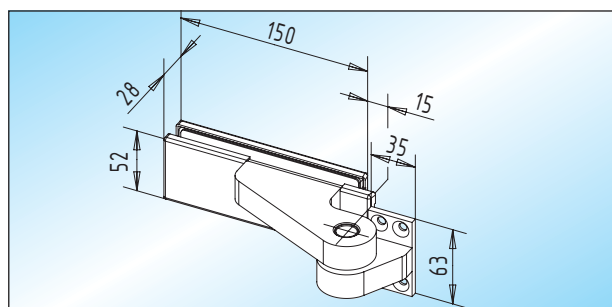
AT 30.3 - Transom pivot patch fitting
transom pivot patch fitting with **one** 15 mm free glass edge and lever arm with Ø 15 mm pivot pin

Glass	DIN left	DIN right
8-15 mm	31.306.0710.____	31.306.0720.____



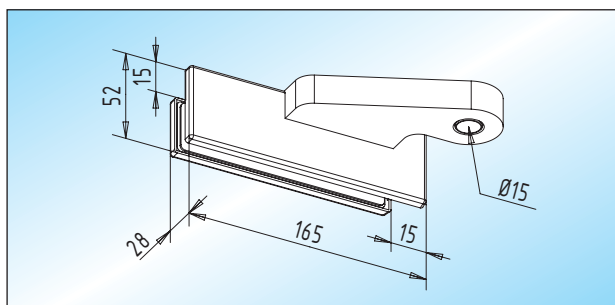
AT 20.3 - Top pivot patch fitting
top pivot patch fitting with **one** 15 mm free glass edge and lever arm for Ø 15 mm pivot pin

Glass	DIN left	DIN right
8-15 mm	31.302.0710.____	31.302.0720.____



AT 29.3 - Top pivot patch fitting / glass-frame
top pivot patch fitting with **one** 15 mm free glass edge to suit Roman arch doors, with frame fixing plate, max. 35 kg door weight when used as a pair

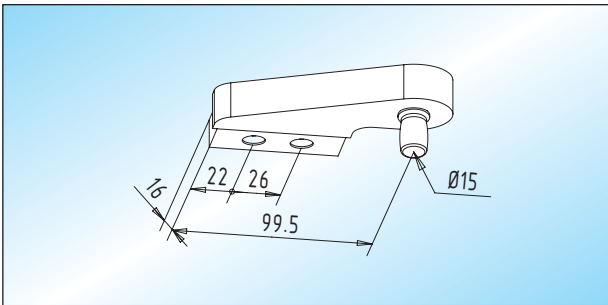
Glass	DIN left	DIN right
8-15 mm	31.308.0710.____	31.308.0720.____



AT 20.4 - Top pivot patch fitting
top pivot patch fitting with **two** 15 mm free glass edges and lever arm for Ø 15 mm pivot pin

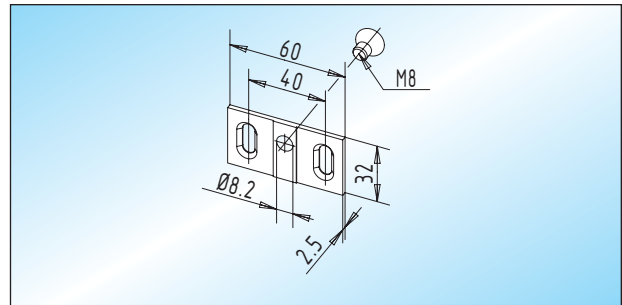
Glass	DIN left	DIN right
8-15 mm	31.304.0710.____	31.304.0720.____

Accessories



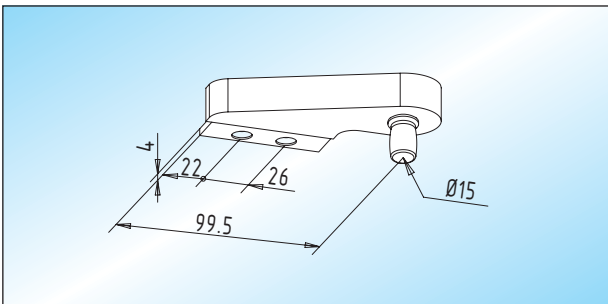
AT 24 - Top lever arm
top lever arm with \varnothing 15 mm pivot pin and fixing block for timber and metal frames

Glass	
8-12 mm	31.400.0600.
15 mm	31.400.1200.



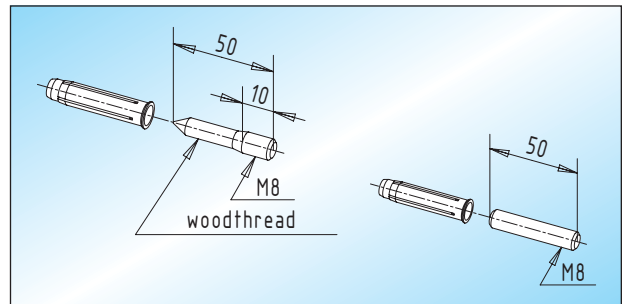
PT 30.3 - Fixing plate
wall fixing plate for use with transom pivot patch fitting AT 30

30.116.0000.



AT 24.1 - Top lever arm
top lever arm with \varnothing 15 mm pivot pin and angle bracket for timber frames

Glass	
8-12 mm	31.402.0600.
15 mm	31.402.1200.

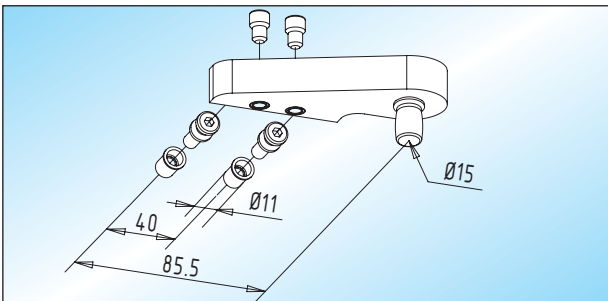


PT 30.4 - Fixing screw
galvanized wall fixing screw and plug for use with transom pivot patch fitting AT 30

30.118.0000.010

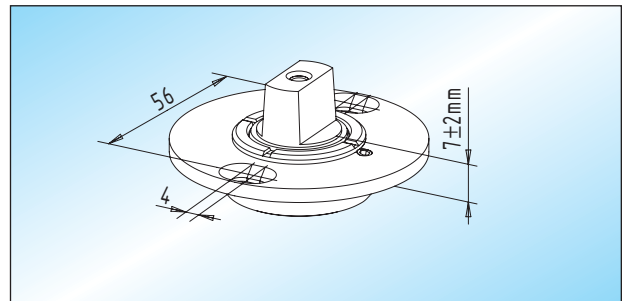
PT 30.5 - Threaded bolt
stainless steel threaded bolt and plug for use with transom pivot patch fitting AT 30

30.120.0000.405



AT 24.2 - Top lever arm
top lever arm with \varnothing 15 mm pivot pin and fixing screws for metal frames

Glass	
8-12 mm	31.404.0600.
15 mm	31.404.1200.



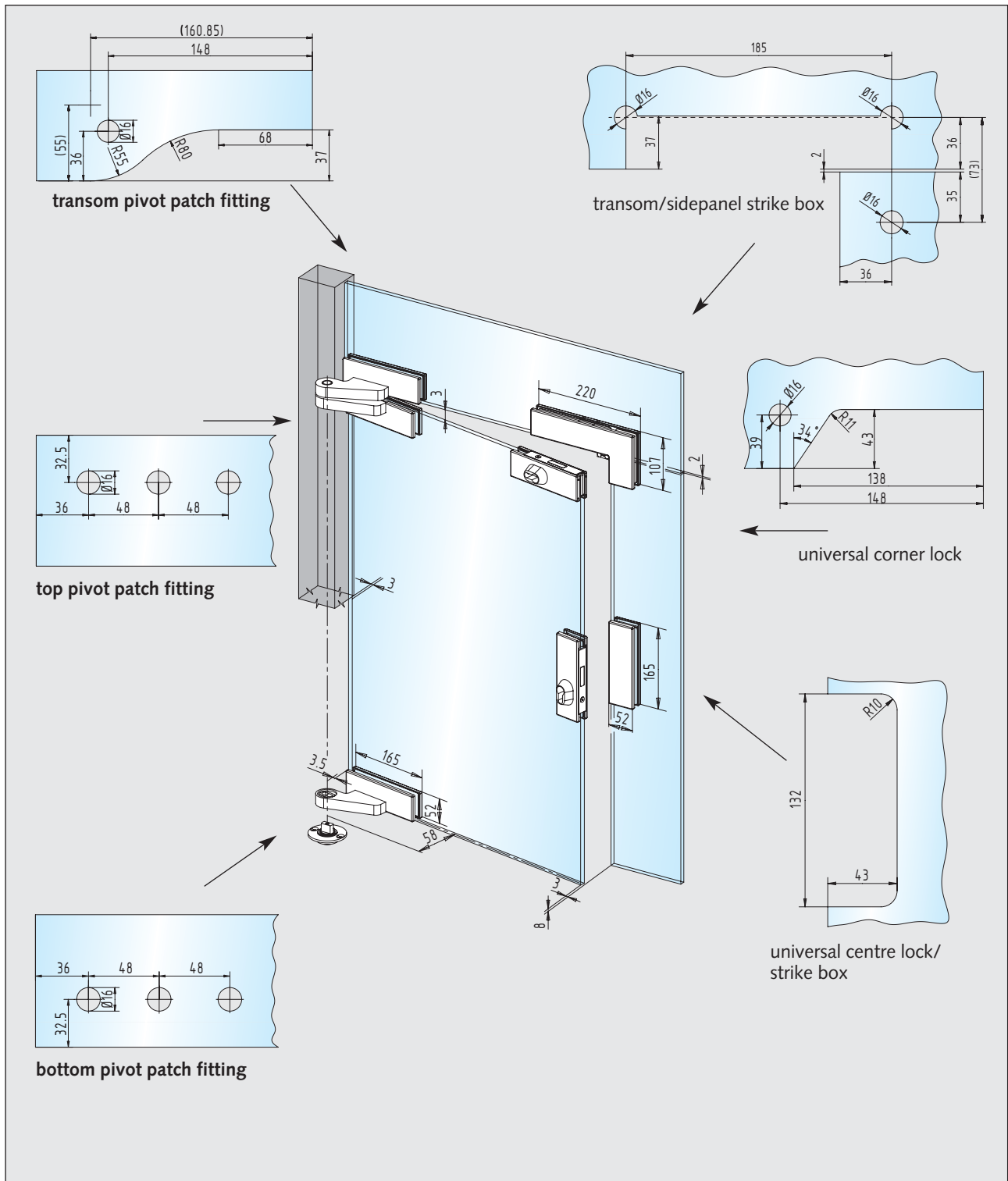
PT 11 - Free swing floor pivot
height-adjustable, galvanized free swing floor pivot

30.122.0000.010



Glass preparation

11



Information:

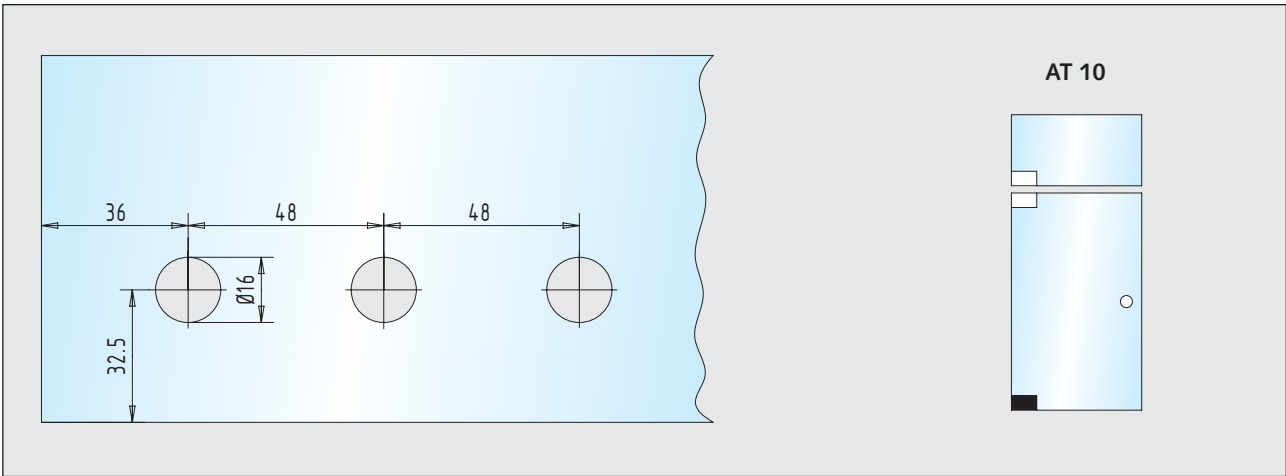
The glass preparation shown applies to 8-12 mm toughened glass.

When using 15 mm thick glass it is advisable to slot the glass hole and to increase the diameter to 20 mm.

Glass preparation

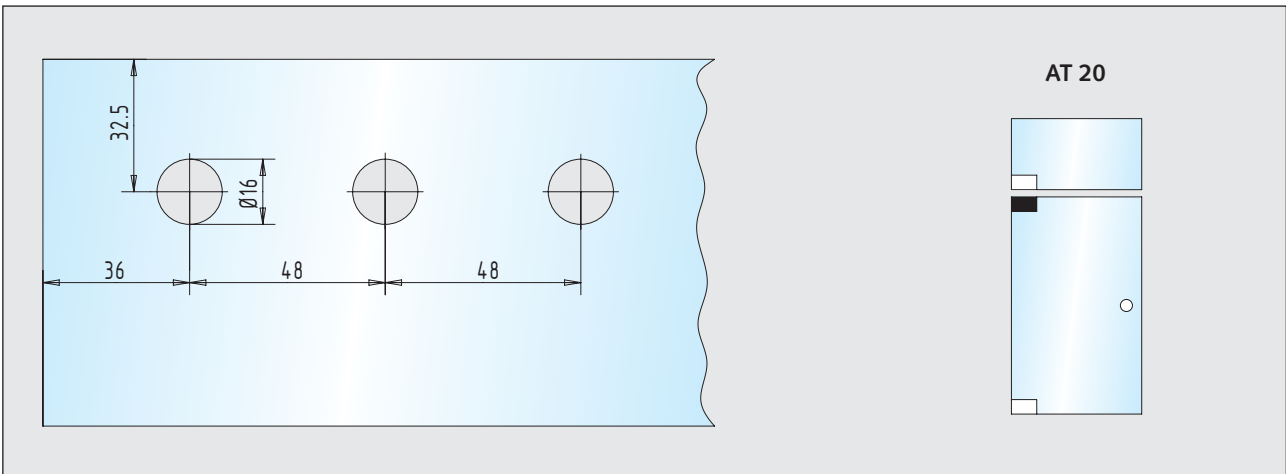
■ patch fittings none rebated frame

Page 237



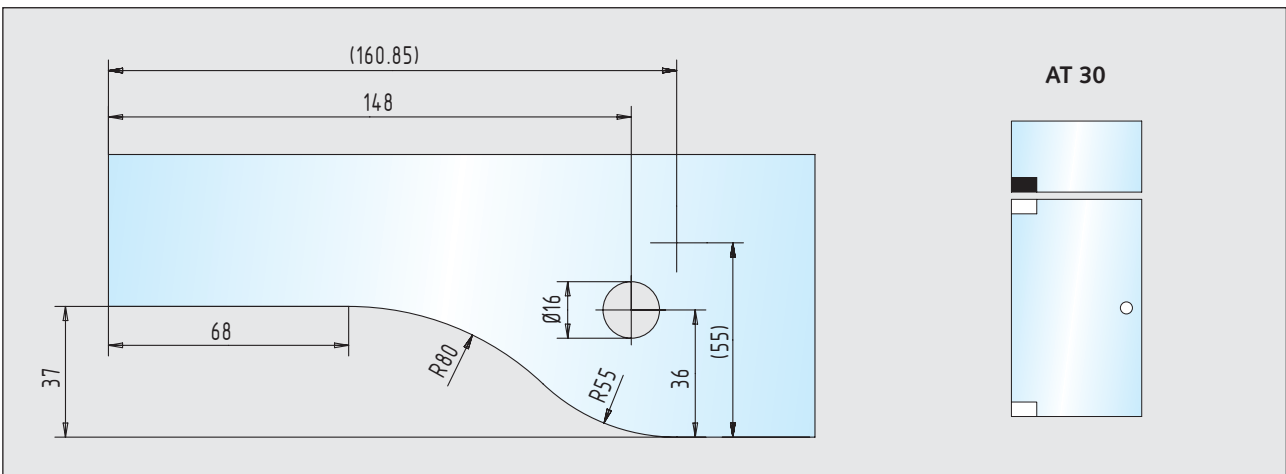
bottom pivot patch fitting

31.100.0710.____ + 31.100.0720.____



top pivot patch fitting

31.102.0710.____ + 31.102.0720.____



transom pivot patch fitting

31.104.0610.____ - 31.104.1220.____

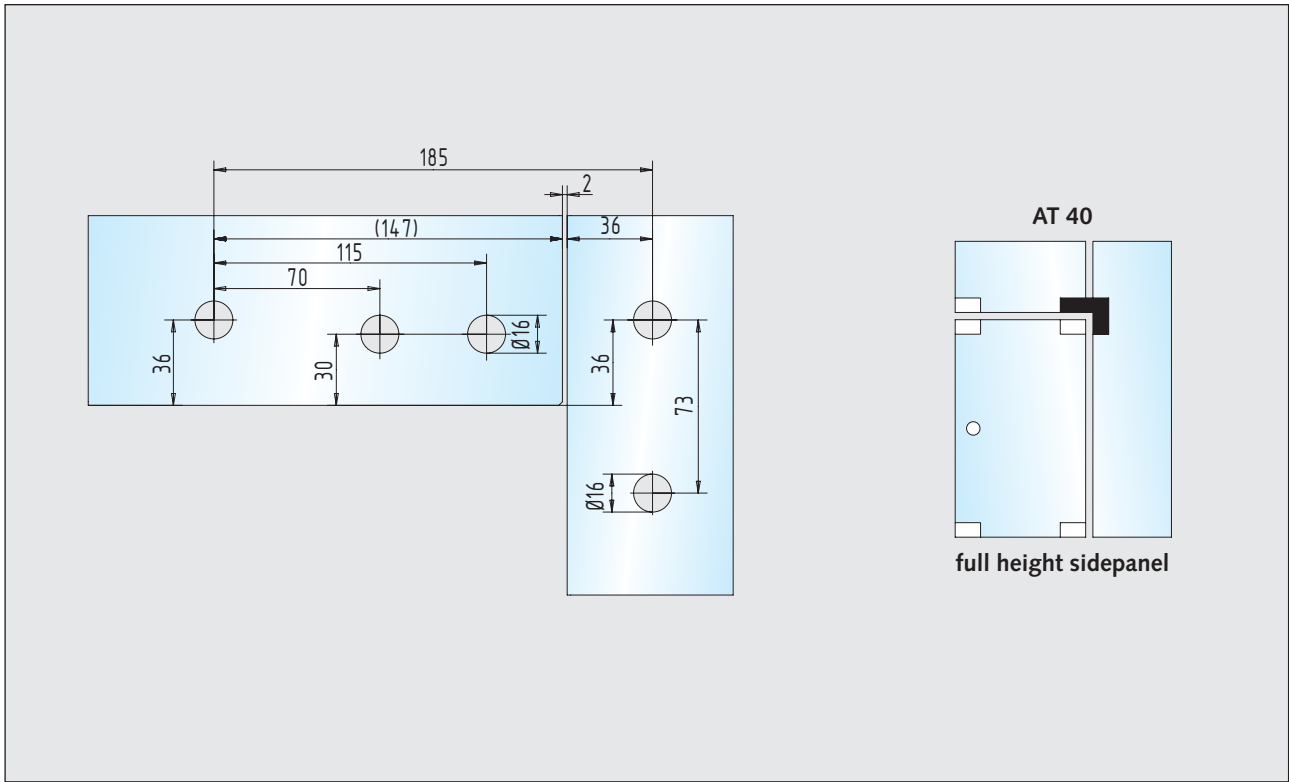


Glass preparation

■ patch fittings none rebated frame

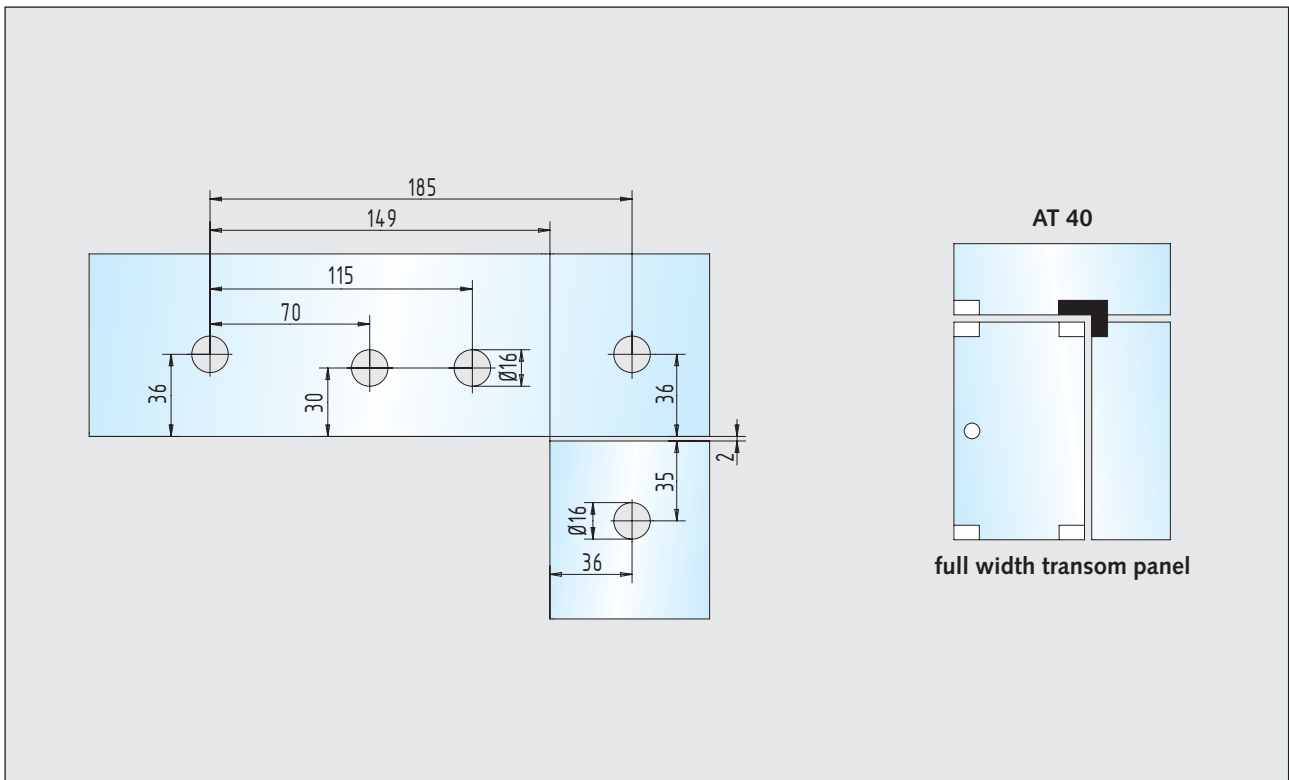
Page 237

11



transom / sidepanel pivot patch fitting

31.106.0710.____ + 31.106.0720.____



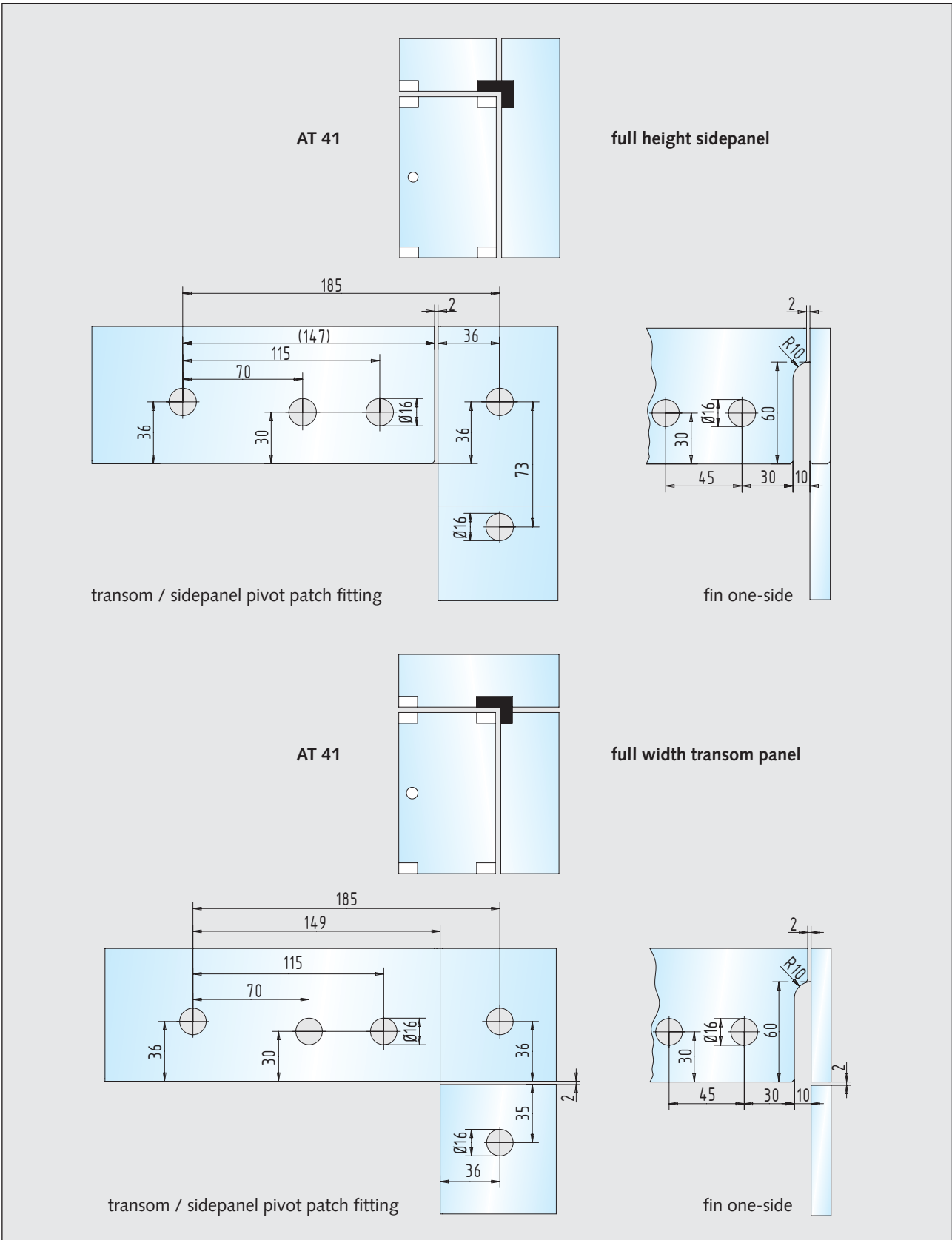
transom / sidepanel pivot patch fitting

31.106.0710.____ + 31.106.0720.____

Glass preparation

■ patch fittings none rebated frame

Page 238



transom / sidepanel pivot patch fitting / fin one-side

31.108.0710.____ + 31.108.0720.____

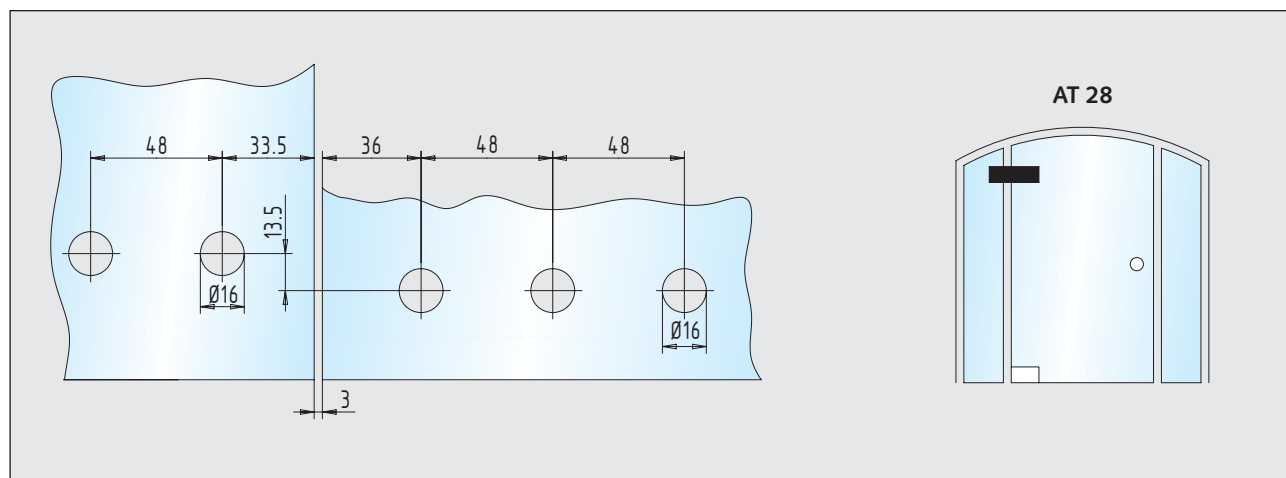


Glass preparation

■ patch fittings none rebated frame

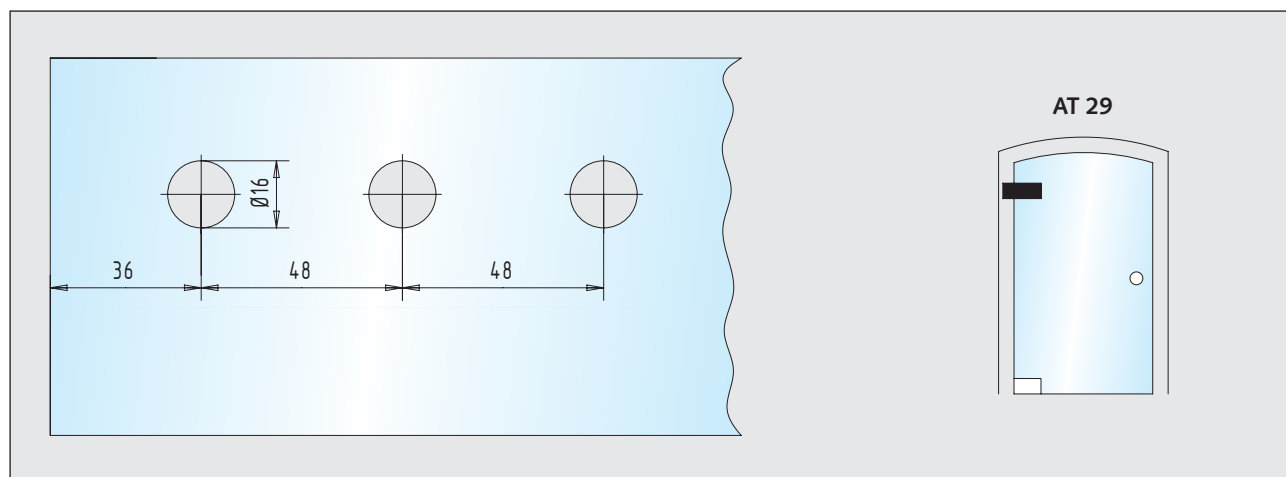
Page 238

11



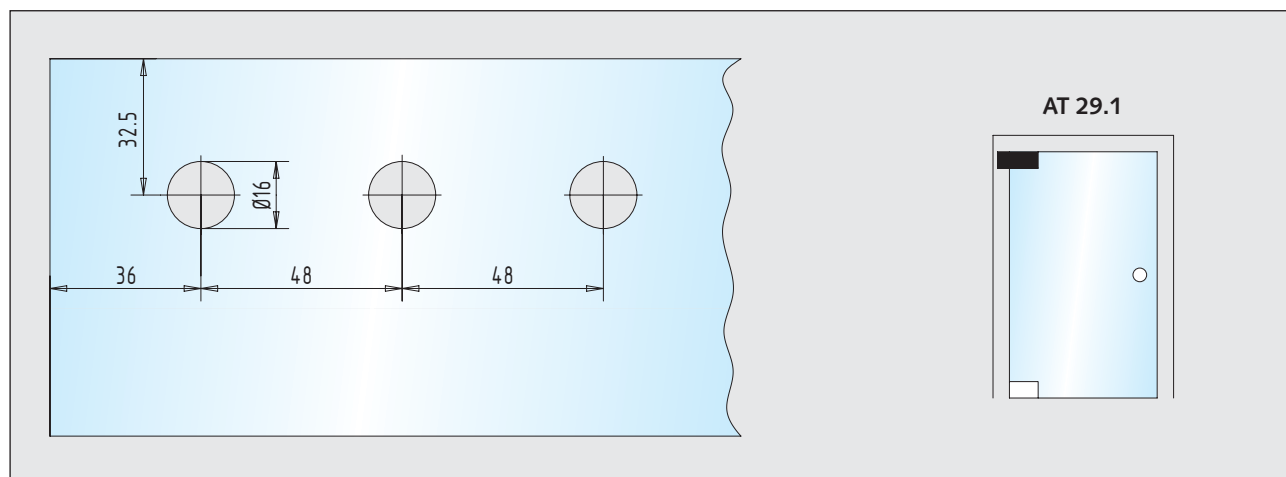
top pivot patch fitting / glass-glass

31.110.0710.____ + 31.110.0720.____



top pivot patch fitting / glass-wall

31.112.0710.____ + 31.112.0720.____

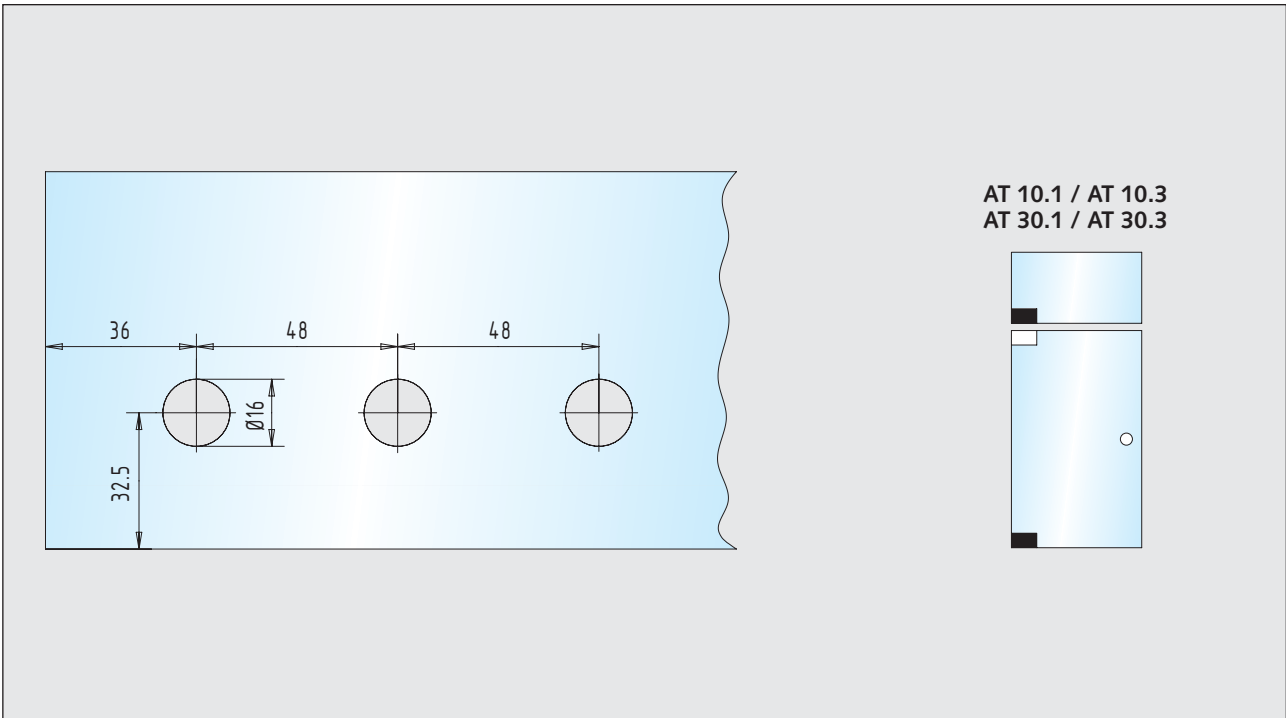


top pivot patch fitting / glass-frame

31.114.0710.____ + 31.114.0720.____

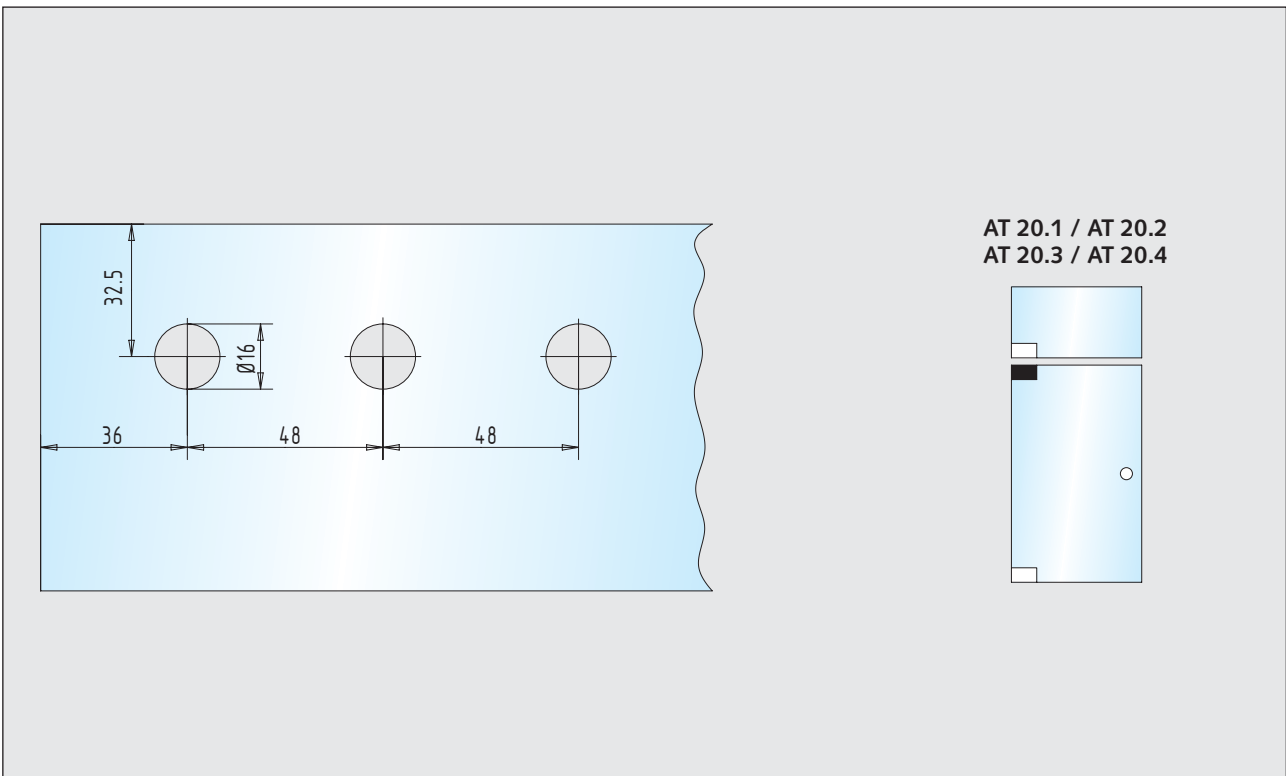
Glass preparation

■ patch fittings 24 - 45 mm frame rebate depth Page 239 – 240



bottom pivot patch fitting / 24 mm
 bottom pivot patch fitting / 25 – 45 mm
 transom pivot patch fitting / 24 mm
 transom pivot patch fitting / 25 – 45 mm

31.200.0710.____ + 31.200.0720.____
 31.300.0710.____ + 31.300.0720.____
 31.206.0710.____ + 31.206.0720.____
 31.306.0710.____ + 31.306.0720.____



top pivot patch fitting / 24 mm
 top pivot patch fitting / 25 – 45 mm

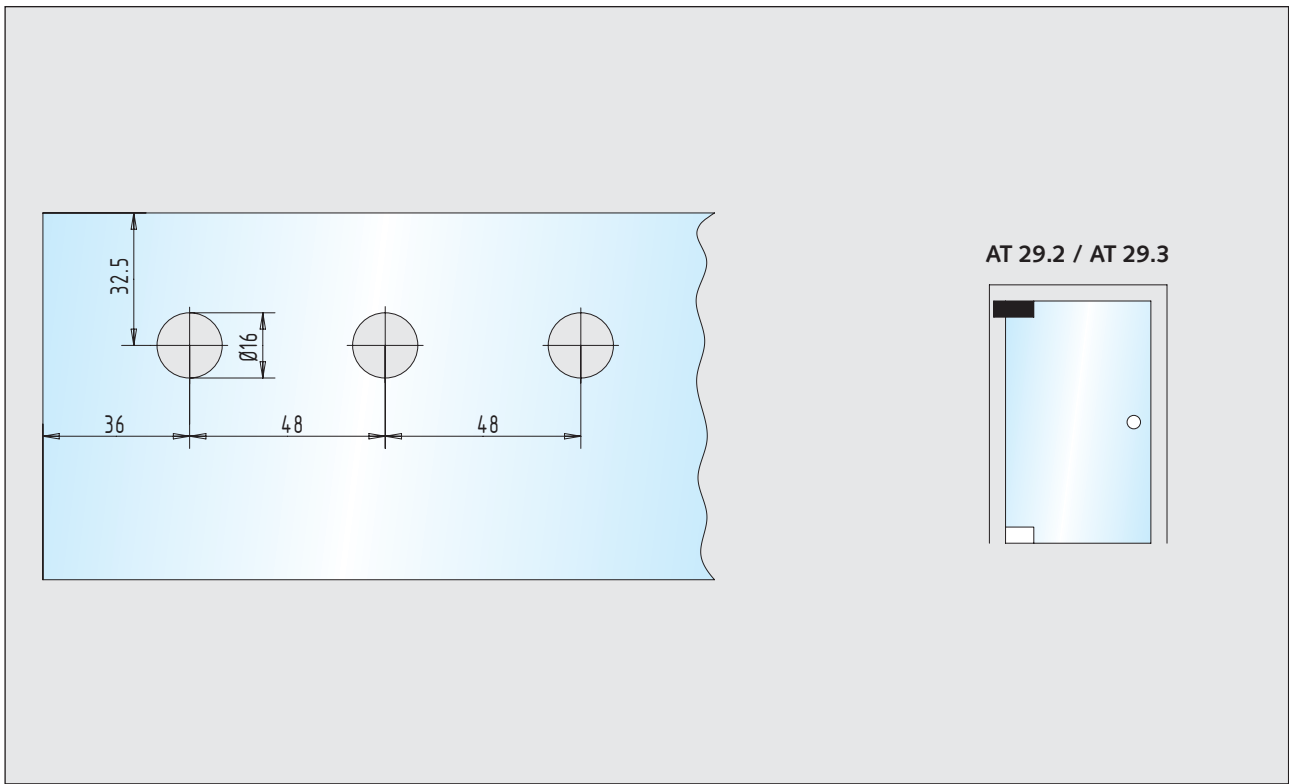
31.202.0710.____ – 31.204.0720.____
 31.302.0710.____ – 31.304.0720.____



Glass preparation

■ patch fittings 24 - 45 mm frame rebate depth Page 239 – 240

11



top pivot patch fitting / glass-frame / 24 mm
top pivot patch fitting / glass-frame / 25 – 45 mm

31.208.0710.____ + 31.208.0720.____
31.308.0710.____ + 31.308.0720.____