

OCEAN - Wellness Line



OCEAN - Wellness Line

Modern and functional:
The range for shower and sauna doors.



CONTENTS



Technical details 150 - 151



Materials and surface finishes 152

Product information

Shower hinges 153

Connectors and shower door knobs 154

Shower stabilizing bars 155

Shower door seals 156

Shower corner hinges /

Sauna fittings 157



Glass preparation 158 - 159





Technical details

The elegant solution for a sophisticated bathroom.

Shower hinge:

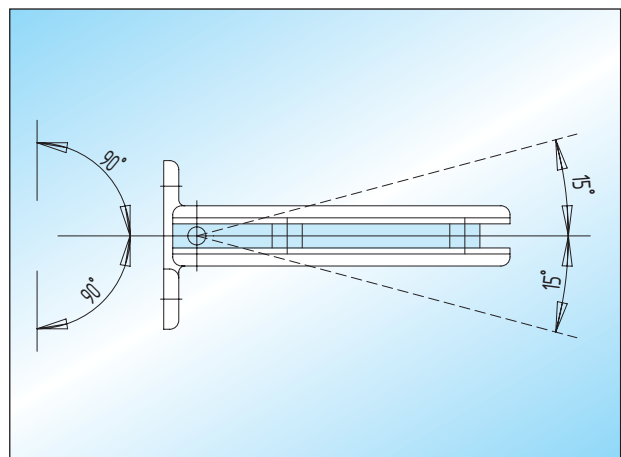
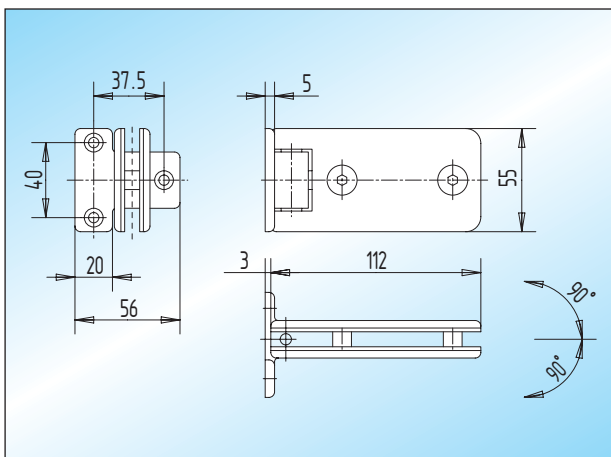
- suitable for left or right hand installation
- suitable for 8 - 10 mm single sheet toughened glass
- brass fixing screws M8 (torque setting 12 Nm)
- screws for fixing plate included
- door width: max. 1.000 mm / door weight: max. 40 kg

The "**standard**" hinge version provides for a variety of sophisticated solutions for shower door installations.

The shower hinge self closing function is only available 15° either side of the closed position.

The "**adjustable**" hinge version provides the additional feature of a zero adjustment when installed on the wall.

Minor inaccuracies in the wall construction can be accommodated for within the hinge design.



Assembly information

1. Glass and gaskets have to be dust- and grease free
2. Install shower hinge on door leaf
3. Assemble fixing plate on wall

Technical details

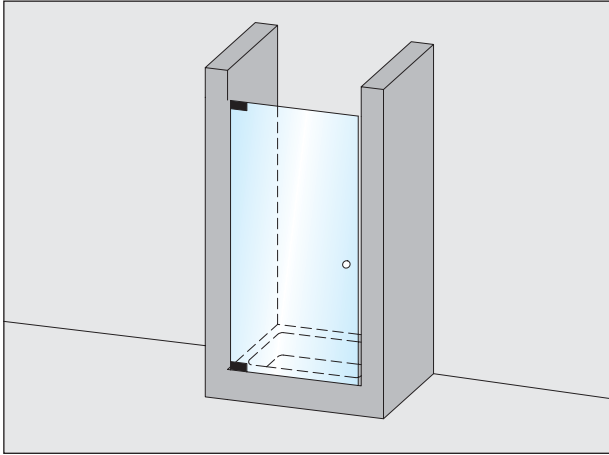
Typical applications for „adjustable“ shower fittings with 8 mm glass

■ shower door knobs

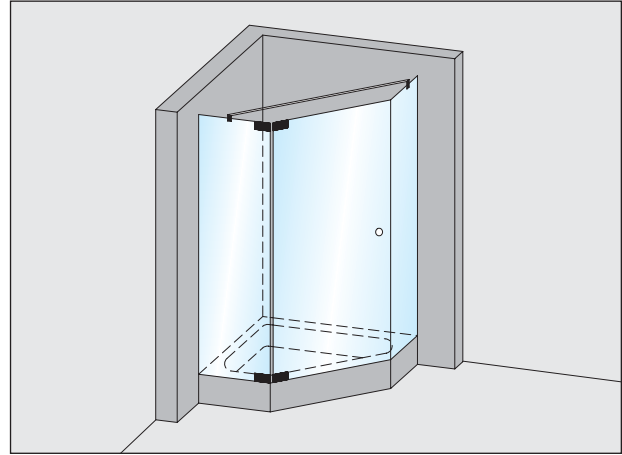
Page 154

■ seals

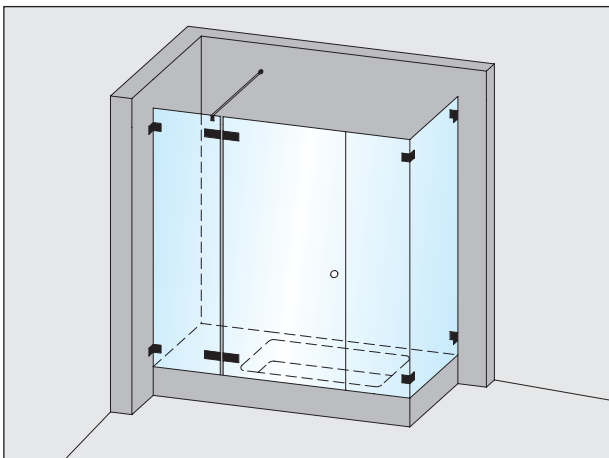
Page 156



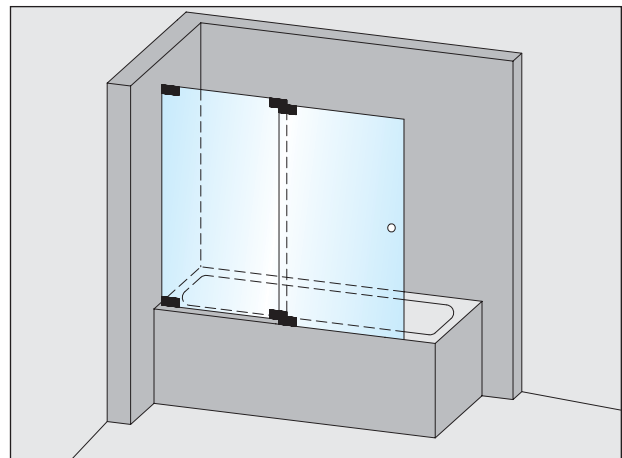
shower hinge / **glass-wall**
with fixing plate **one-side** 27.102.0400.____
or
shower hinge / **glass-wall**
with fixing plate on **both sides** 27.106.0400.____



shower hinge / **glass-glass 135°** 27.114.0400.____
stabilizing bar 27.400.0000.____
glass holder / adjustable 27.404.0400.____



shower hinge / **glass-glass in-line** 27.110.0400.____
connector / **glass-wall** 27.200.0500.____
corner connector / **glass-glass** 27.202.0500.____
stabilizing bar 27.400.0000.____
glass holder / fix 27.402.0400.____
fixing point 27.406.0000.____



shower hinge / **glass-glass offset** 27.118.0400.____
shower hinge / **glass-wall**
with fixing plate **one-side** 27.102.0400.____
or
shower hinge / **glass-wall**
with fixing plate on **both sides** 27.106.0400.____



Materials and surface finishes

Materials	Surface finishes code	Shower fittings	Connectors	Sauna fittings
Brass	polished ... 318	●		
	satin chrome ... 372	●		
	polished chrome ... 374	●		
	RAL 9010 pure white ... 350	●		
Zinc	similar polished gold ... 799		●	
	satin chrome ... 772		●	
	polished chrome ... 774		●	
	RAL 9010 pure white ... 750		●	
Aluminium	E4/C-0 silver ... 112			●
	RAL 9010 pure white ... 250			●
	RAL 9016 traffic white ... 255			●
	RAL 8014 sepia brown ... 295			●

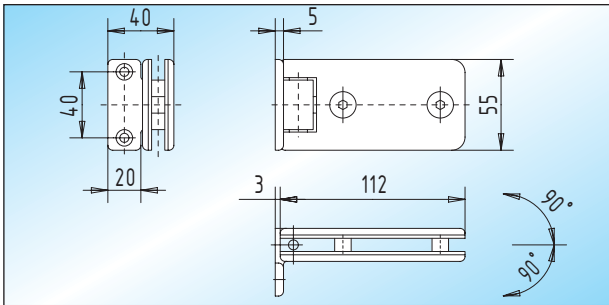
Information:

The sauna handle is available in RAL 9010 pure white, RAL 9016 traffic white and RAL 8014 sepia brown.



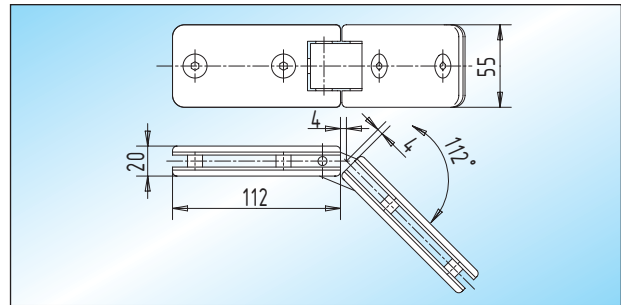
Shower hinges

■ suitable for 8 - 10 mm glass



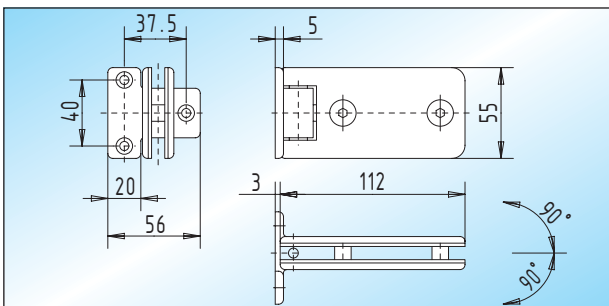
OCEAN - Shower hinge / glass-wall
shower hinge glass-wall with **fixing plate one-side**
and 2 fixing points, 90° opening angle both sides

Glass	standard	adjustable
8 mm	27.100.0400. ___	27.102.0400. ___
10 mm	27.100.0900. ___	27.102.0900. ___



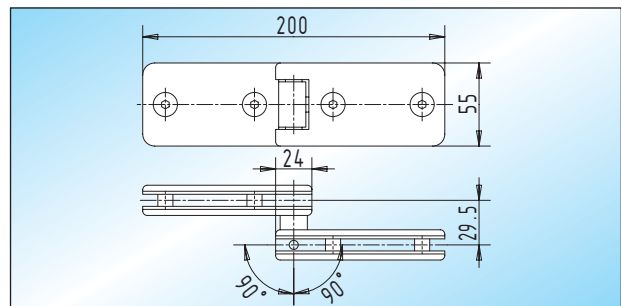
OCEAN - 135° Shower hinge / glass-glass
shower hinge glass-glass 135° angled,
112° opening angle one-side

Glass	standard	adjustable
8 mm	27.112.0400. ___	27.114.0400. ___
10 mm	27.112.0900. ___	27.114.0900. ___



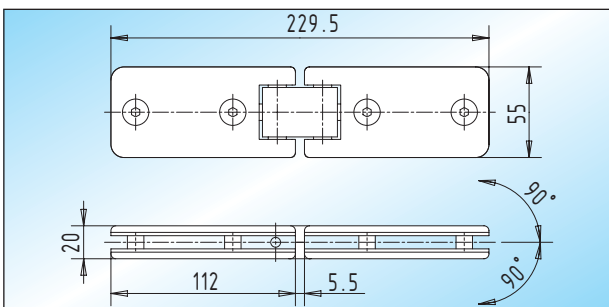
OCEAN - Shower hinge / glass-wall
shower hinge glass-wall with **fixing plate on both sides**
and 3 fixing points, 90° opening angle both sides

Glass	standard	adjustable
8 mm	27.104.0400. ___	27.106.0400. ___
10 mm	27.104.0900. ___	27.106.0900. ___



OCEAN - Shower hinge / glass-glass offset
shower hinge glass-glass offset (folding hinge),
90° opening angle one-side

Glass	standard	adjustable
8 mm	27.116.0400. ___	27.118.0400. ___
10 mm	27.116.0900. ___	27.118.0900. ___



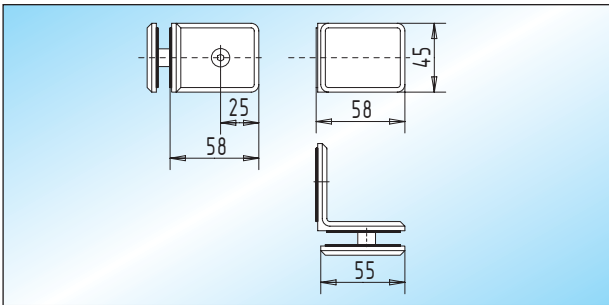
OCEAN - Shower hinge / glass-glass in-line
shower hinge glass-glass in-line,
90° opening angle both sides

Glass	standard	adjustable
8 mm	27.108.0400. ___	27.110.0400. ___
10 mm	27.108.0900. ___	27.110.0900. ___



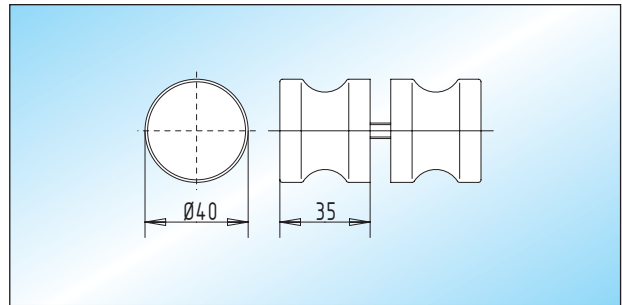
Connectors and shower door knobs

■ suitable for 8 - 10 mm glass



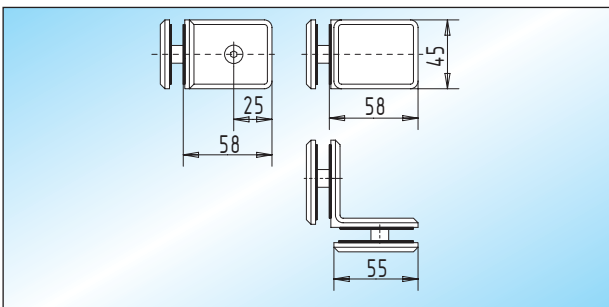
OCEAN - Connector / glass-wall
connector glass-wall

Glass	
8 - 10 mm	27.200.0500.



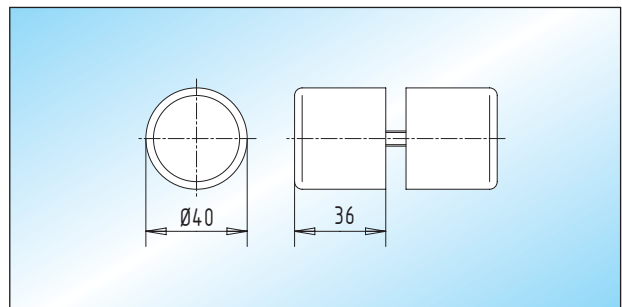
OCEAN - Shower door knob
shower door knob / 40 mm ø, with grip

Glass	
8 - 10 mm	27.302.0500.



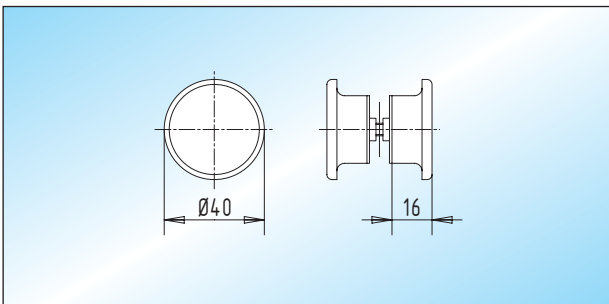
OCEAN - Corner connector / glass-glass
corner connector glass-glass

Glass	
8 - 10 mm	27.202.0500.



OCEAN - Shower door knob
glass shower door knob / clear, 40 mm ø

Glass	
8 - 10 mm	27.304.0500.805

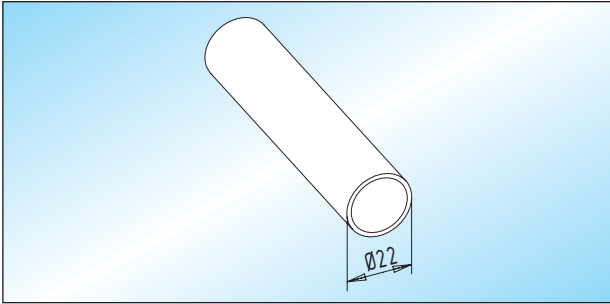


OCEAN - Shower door knob
shower door knob / 40 mm ø

Glass	
8 - 10 mm	27.300.0500.

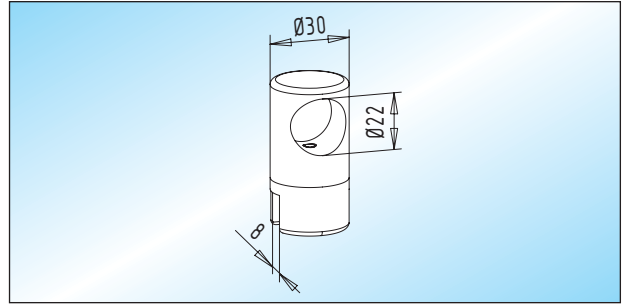
Shower stabilizing bars

- suitable for 8 mm glass



OCEAN - Stabilizing bar
stabilizing bar, 1.200 mm length, can be shortened

27.400.0000. ____

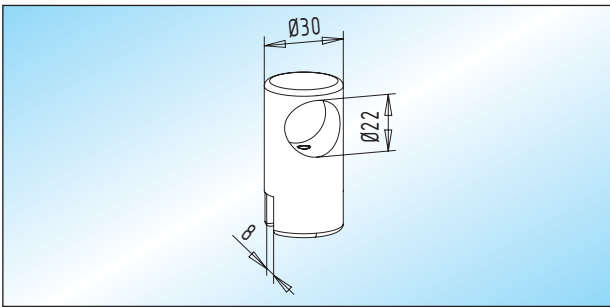


OCEAN - Glass holder / adjustable
glass holder / adjustable with opening one-side for stabilizing bar, to assemble glass sidepanels in all positions

Glass

8 mm

27.404.0400. ____

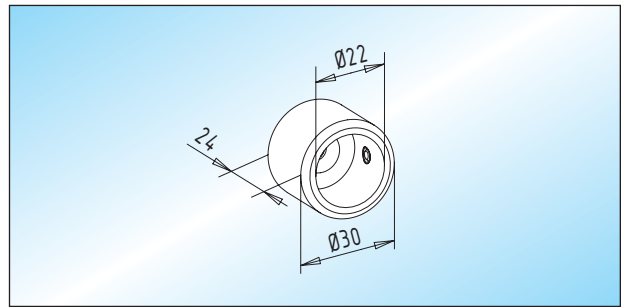


OCEAN - Glass holder / fix
glass holder / fix with opening one-side for stabilizing bar, to assemble glass sidepanels

Glass

8 mm

27.402.0400. ____



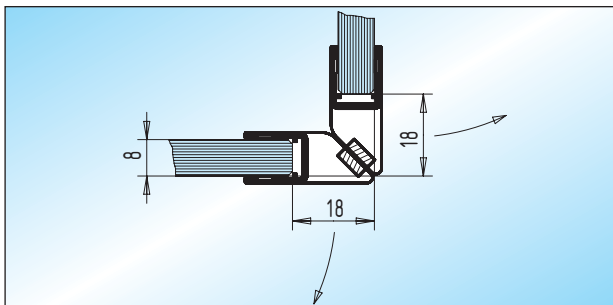
OCEAN - Fixing point
fixing point for stabilizing bar

27.406.0000. ____



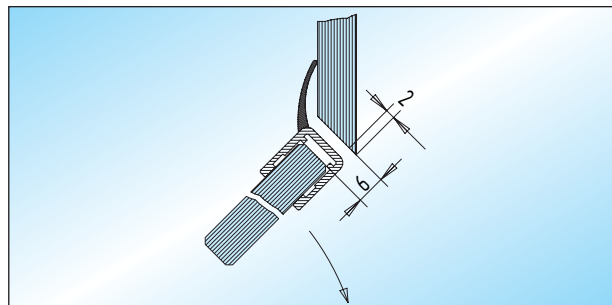
Shower door seals

■ suitable for 8 mm glass



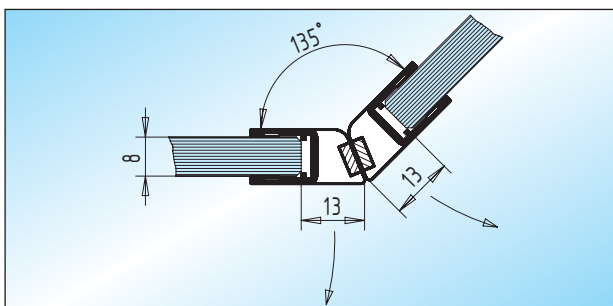
OCEAN - 90° Magnetic seal
plastic magnetic seal, 90° angled, 2.000 mm length, can be shortened

Glass
8 mm
27.500.0400.505



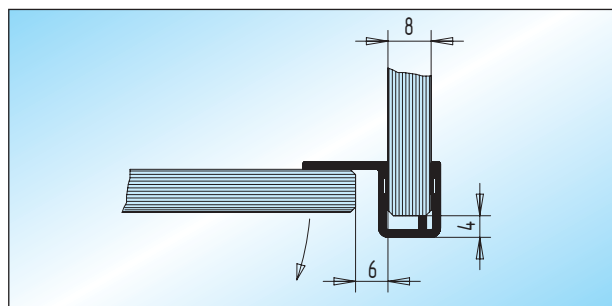
OCEAN - Lip seal
plastic lip seal, 2.000 mm length, can be shortened

Glass
8 mm
27.510.0400.505



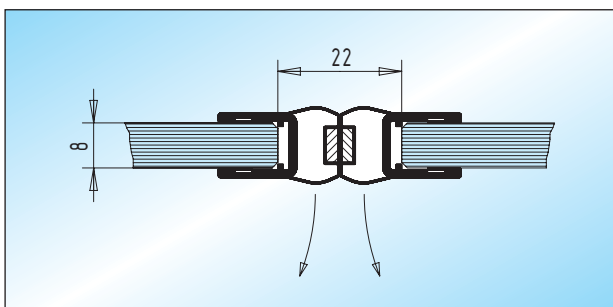
OCEAN - 135° Magnetic seal
plastic magnetic seal, 135° angled, 2.000 mm length, can be shortened

Glass
8 mm
27.502.0400.505



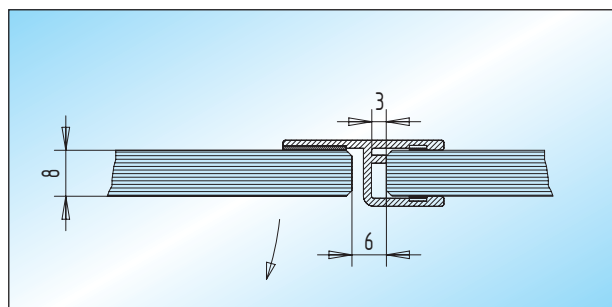
OCEAN - Corner seal
plastic corner seal, 2.000 mm length, can be shortened

Glass
8 mm
27.512.0400.505



OCEAN - Magnetic seal / in-line
plastic magnetic seal, 180° in-line, 2.000 mm length, can be shortened

Glass
8 mm
27.504.0400.505



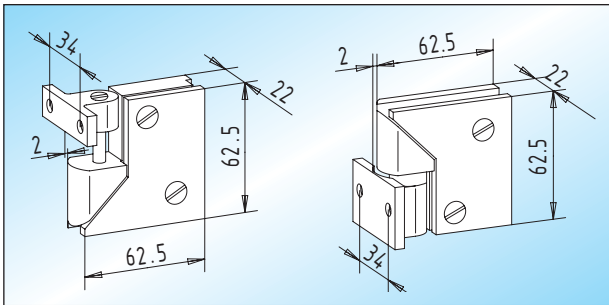
OCEAN - Centre seal
plastic centre seal, 2.000 mm length, can be shortened

Glass
8 mm
27.514.0400.505



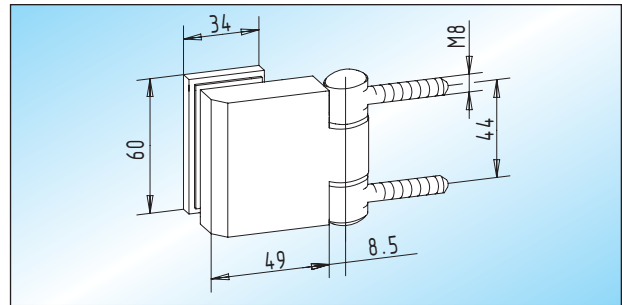
Shower corner hinges / sauna fittings

■ suitable for 6 - 8 mm glass



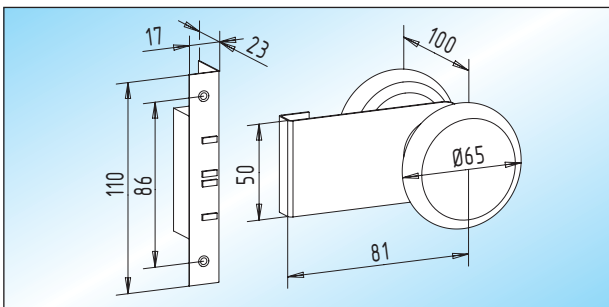
OCEAN - Shower corner hinges
shower corner hinges for top and bottom installation,
with screw on wall bracket, max. 40 kg door weight
Available in brass polished chrome!

Glass	
6 - 8 mm	27.600.0200.374



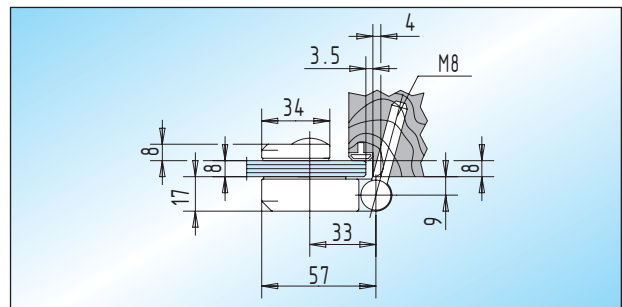
OCEAN - Sauna hinge
sauna hinge with frame pivots for timber block frame,
max. 30 kg door weight

Glass	
6 - 8 mm	27.702.0200.____



OCEAN - Sauna handle
sauna handle with beech knob and magnetic catch

Glass	
8 mm	27.700.0400.____



installation details for sauna hinge
timber block frame pilot drilled 6,8 mm \varnothing
and 40 mm depth

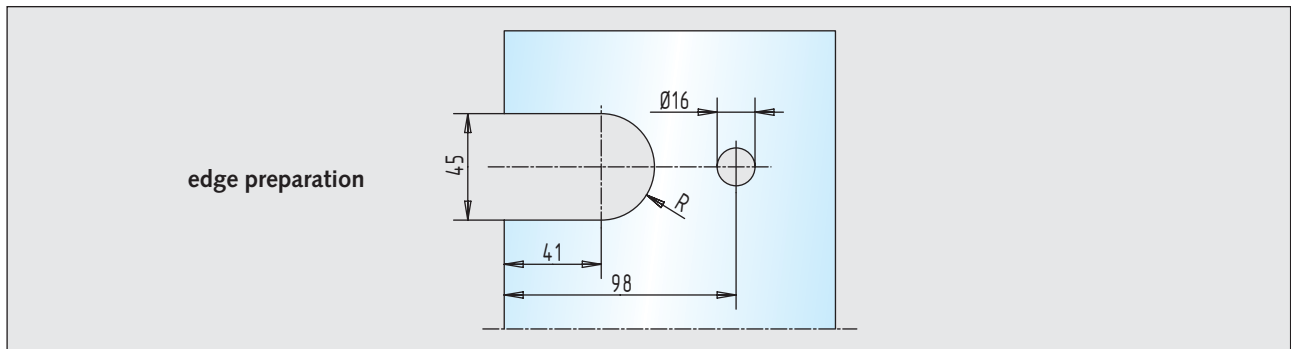
	27.702.0200.____
--	------------------



Glass preparation

■ suitable for 8 - 10 mm glass

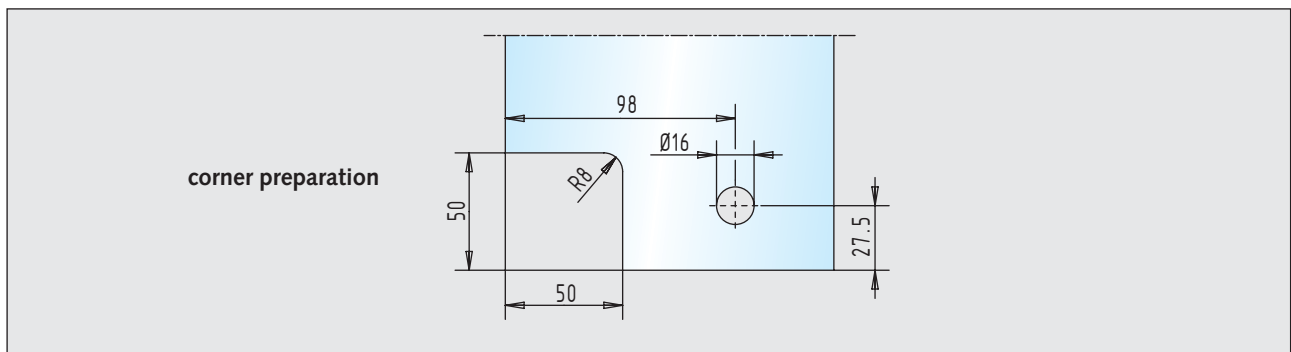
■ shower hinges



edge preparation

shower hinge / glass-wall

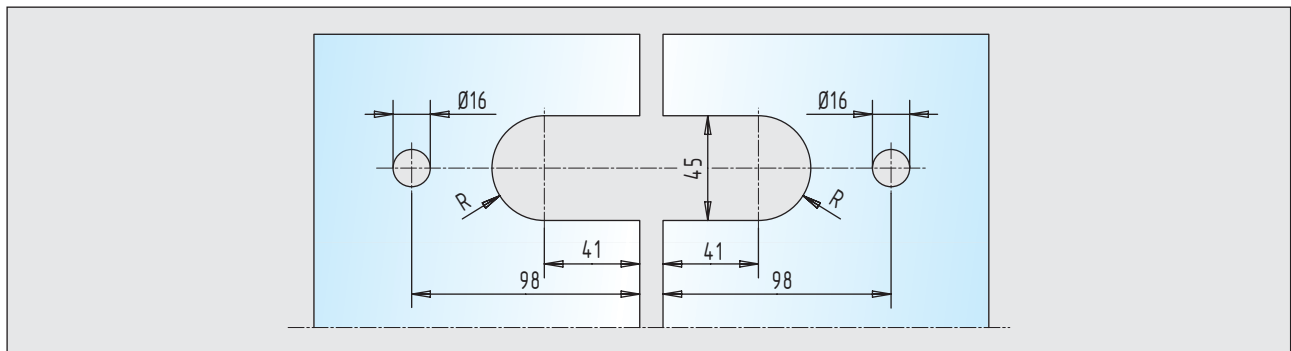
27.100.0400.____ - 27.106.0900.____



corner preparation

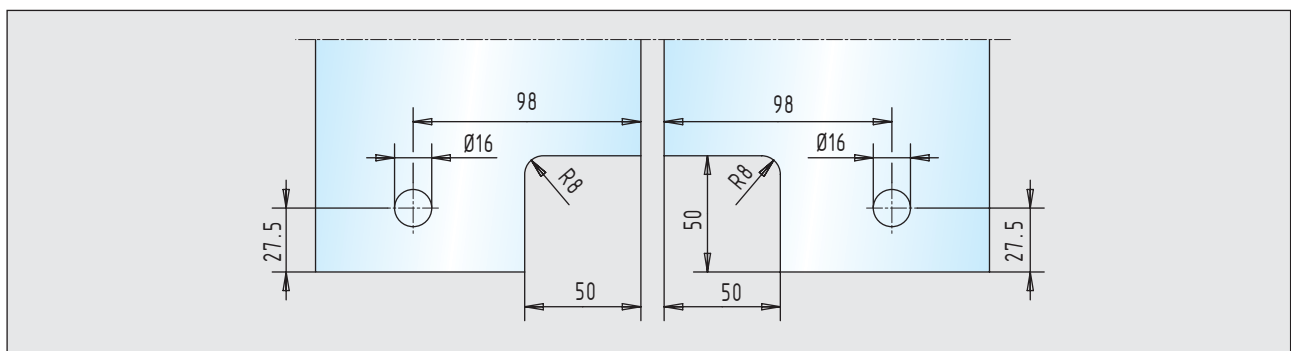
shower hinge / glass-wall

27.100.0400.____ - 27.106.0900.____



shower hinge / glass-glass

27.108.0400.____ - 27.118.0900.____



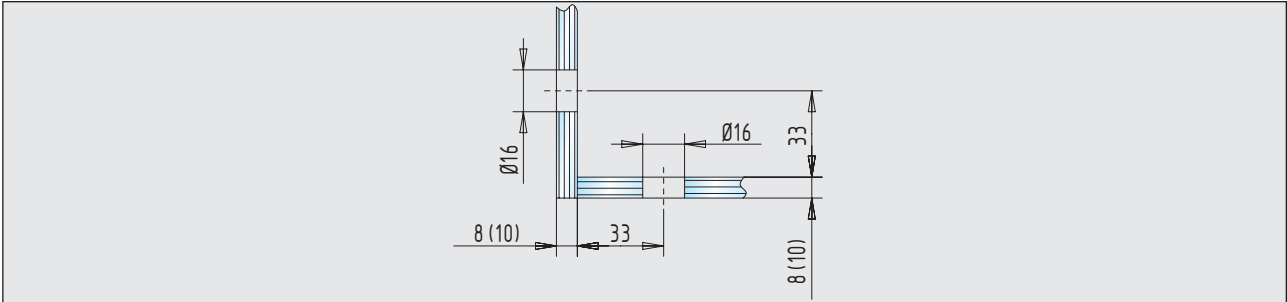
shower hinge / glass-glass

27.108.0400.____ - 27.118.0900.____

Glass preparation

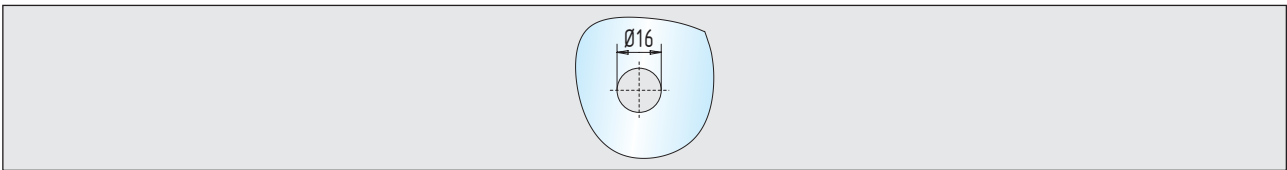
■ shower and sauna fittings

Page 154 and 157



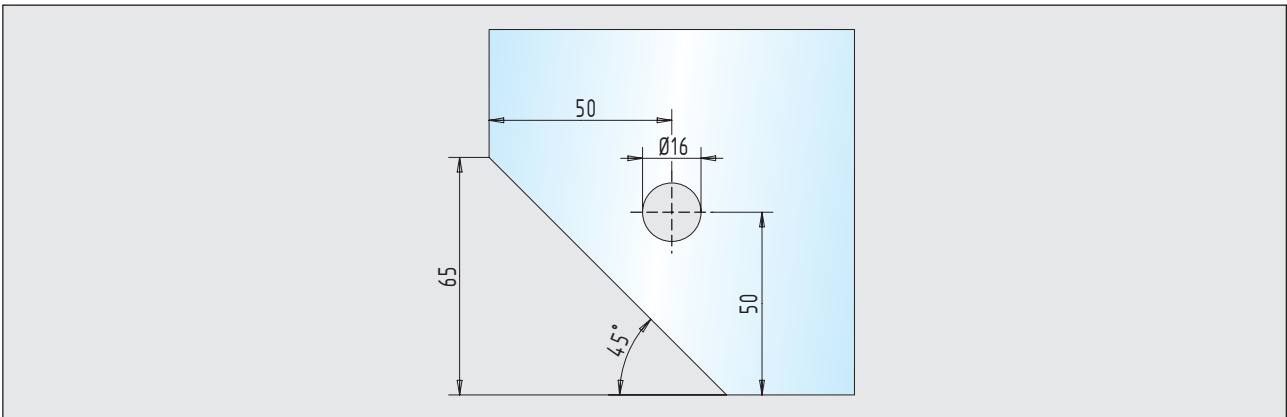
connector / corner connector

27.200.0500.____ + 27.202.0500.____



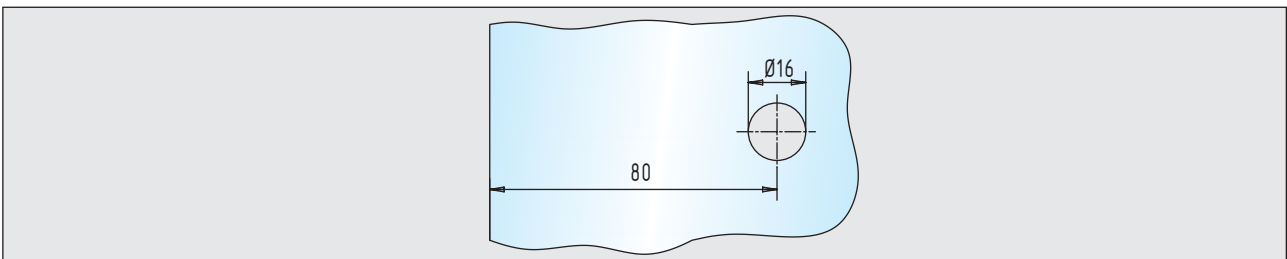
shower door knob

27.300.0500.____ - 27.304.0500.805



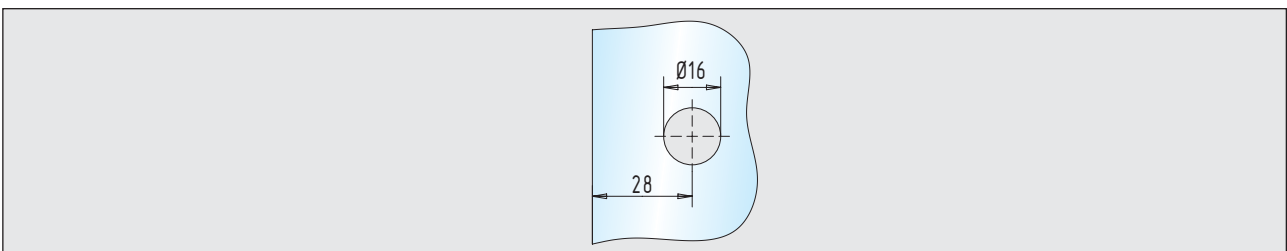
corner shower hinges

27.600.0200.374



sauna handle

27.700.0400.____



sauna hinge

27.702.0200.____



Notes