

Accessories



Accessories

The extensive accompaniment
for glass doors.



CONTENTS



Materials and surface finishes 138

Product information

Door rails 139 - 140

Door holders 141

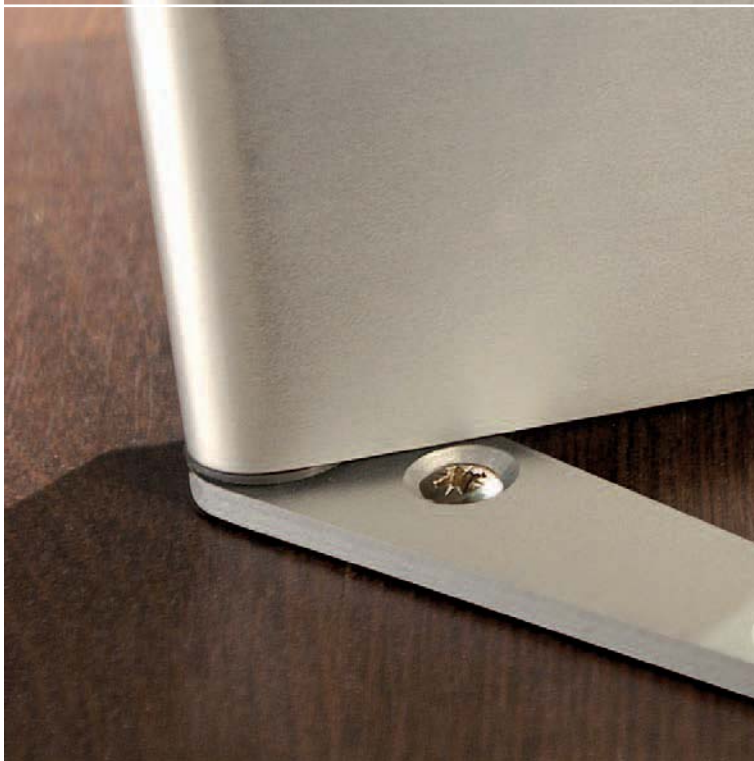
Hinges - special applications 142

Door stop and strike plates 143

Profile cylinders 144



Glass preparation 145

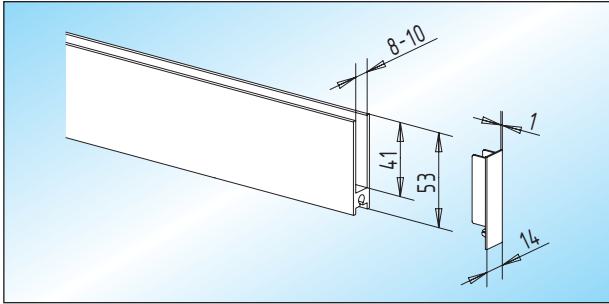


Materials and surface finishes

Materials	Surface finishes code	Door rails hinges	Door bolt strike box	Door stop
Aluminium	E4/C-0 silver ... 112	●	●	●
	E4/EV 2 champagne ... 122	●	●	
	RAL 9010 pure white ... 250	●	●	●
	RAL 9016 traffic white ... 255	●	●	●
	E4/S5/EV 5 similar gold ... 132	●	●	
	E4/C 31 similar stainless steel ... 137	●	●	
	E4/C 34 dark bronze ... 152	●	●	
	special anodized ... 199	●	●	
	RAL coated ... 295	●	●	
Brass	polished ... 318		●	●
	matt brushed ... 328		●	●
	satin chrome ... 372		●	
	polished chrome ... 374		●	
	velour nickel plated ... 376		●	●
Stainless Steel	satin ... 426			●
	polished ... 416			●

Door rails

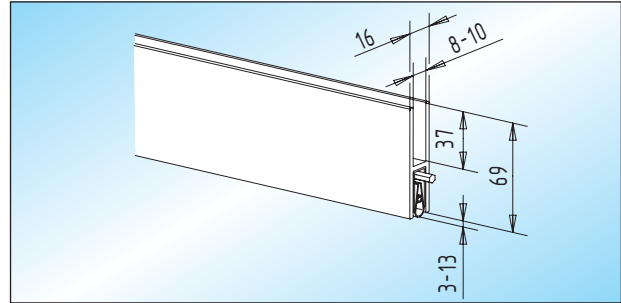
- with 8 mm glass: door rails with PVC gaskets
- with 10 mm glass: door rails without PVC gaskets (must be siliconed to glass door leaf)



Door rail / 53 mm high

door rail with plastic endcaps on both sides, 53 mm high

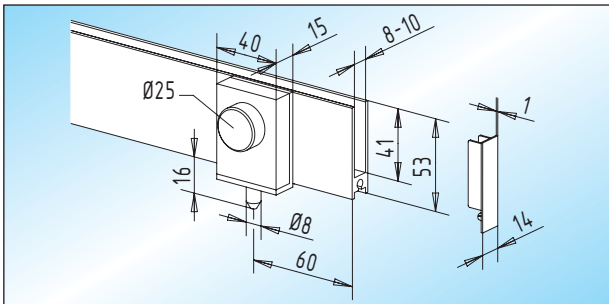
lengths	8 mm glass	10 mm glass
standard: 709 mm	26.100.0400.____	26.100.0900.____
standard: 834 mm	26.102.0400.____	26.102.0900.____
standard: 959 mm	26.104.0400.____	26.104.0900.____
fix: ≤ 1.200 mm	26.106.0400.____	26.106.0900.____



Door rail / 69 mm high

door rail with automatic drop down seal, 69 mm high. Suitable for smooth floors only!

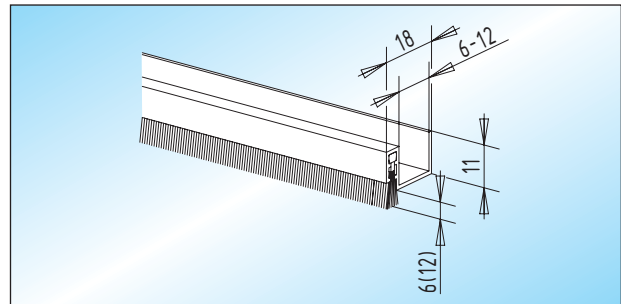
lengths	8 mm glass	10 mm glass
standard: 709 mm	26.130.0400.____	26.130.0900.____
standard: 834 mm	26.132.0400.____	26.132.0900.____
standard: 959 mm	26.134.0400.____	26.134.0900.____
fix: ≤ 1.200 mm	26.136.0400.____	26.136.0900.____



Door rail / 53 mm high / with bolt

door rail with plastic endcaps on both sides, 53 mm high, with bolt

lengths	DIN	8 mm glass	10 mm glass
709 mm	left	26.110.0410.____	26.110.0910.____
834 mm	left	26.112.0410.____	26.112.0910.____
959 mm	left	26.114.0410.____	26.114.0910.____
≤ 1.200 mm	left	26.116.0410.____	26.116.0910.____
709 mm	right	26.118.0420.____	26.118.0920.____
834 mm	right	26.120.0420.____	26.120.0920.____
959 mm	right	26.122.0420.____	26.122.0920.____
≤ 1.200 mm	right	26.124.0420.____	26.124.0920.____



Door rail / 11 mm high

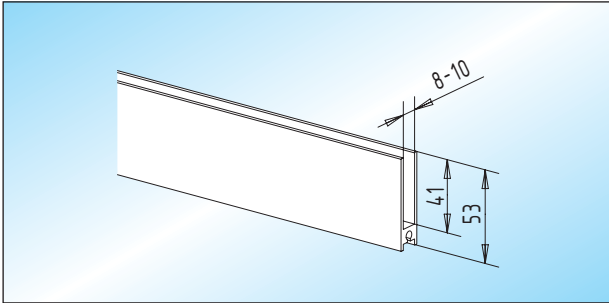
door rail with adjustable brush seal, can be shortened, 11 mm high

length	6 - 12 mm glass
2.200 mm	26.140.0300.____



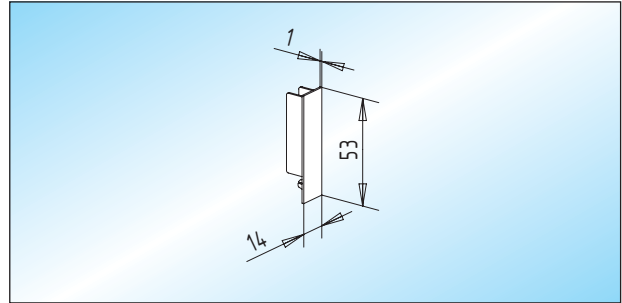
Door rails

- with 8 mm glass: door rails with PVC gaskets
- with 10 mm glass: door rails without PVC gaskets (must be siliconed to glass door leaf)



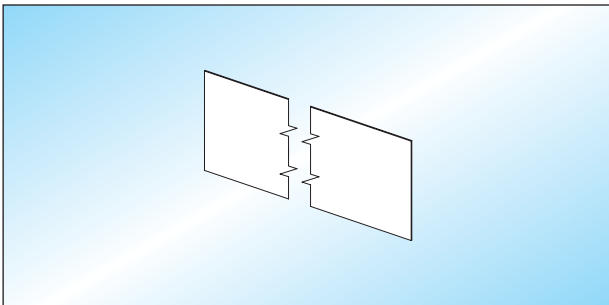
Door rail / 53 mm high
door rail, 53 mm high, **without accessories**

stock length	
5.000 mm	26.150.0500.____



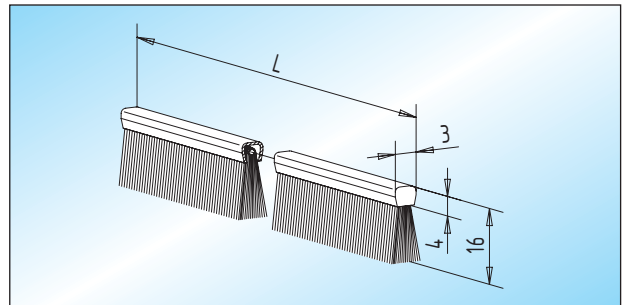
Endcap
plastic endcap, black, for door rail / 53 mm high

26.154.0000.565



PVC-gasket
PVC-gasket, 100 x 1 mm for door rail / 53 mm high

stock length	
50 m	26.152.0000.505



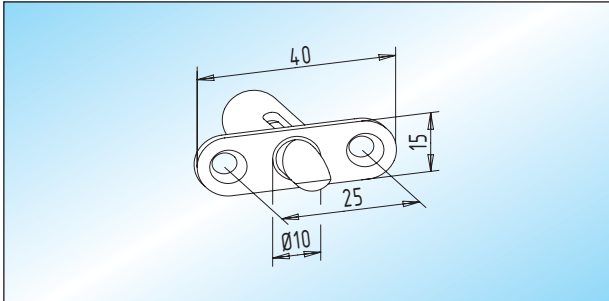
Brush seal
brush seal for door rail / 53 mm high

lengths		
standard:	709 mm	26.160.0000.505
standard:	834 mm	26.162.0000.505
standard:	959 mm	26.164.0000.505
fix:	≤ 1.200 mm	26.166.0000.505



Door holders

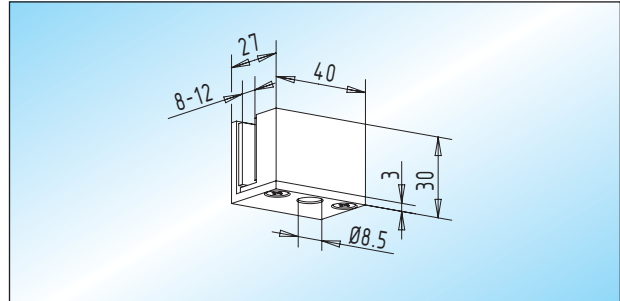
- with 8 - 10 mm glass: door bolt/strike box with gaskets
- with 12 mm glass: door bolt/strike box without gaskets
(must be siliconed to glass door leaf)



Door catch

top door catch, E6/C-0 silver

26.200.0000.114

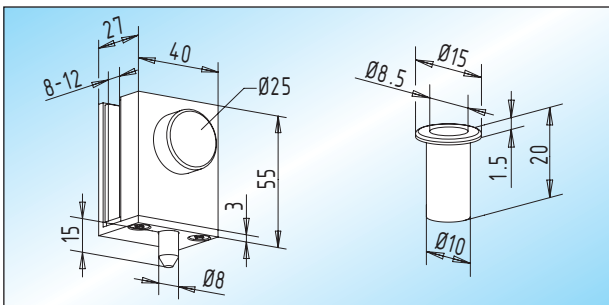


Slide over strike box

slide over strike box for slide over door bolt
Available in aluminium and brass!

Glass

8 mm	26.204.0400. ___
10 mm	26.204.0900. ___
12 mm	26.204.1100. ___

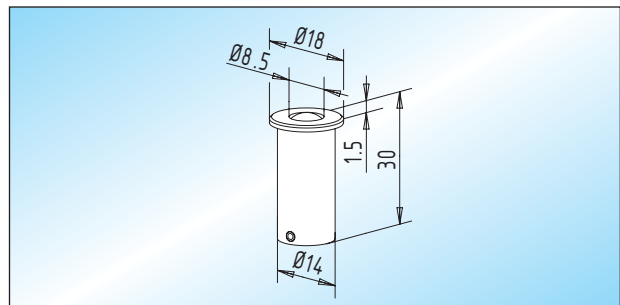


Slide over door bolt

slide over door bolt with matt nickel plated brass
floor socket. **Available in aluminium and brass!**

Glass

8 mm	26.202.0400. ___
10 mm	26.202.0900. ___
12 mm	26.202.1100. ___



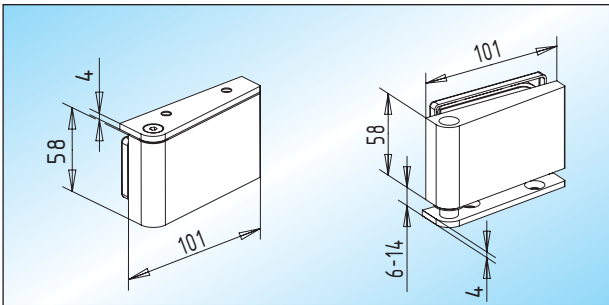
Floor socket / dust protector

galvanized steel spring loaded floor socket with dust
protector to suit \varnothing 8 mm round bolt

26.206.0000.010



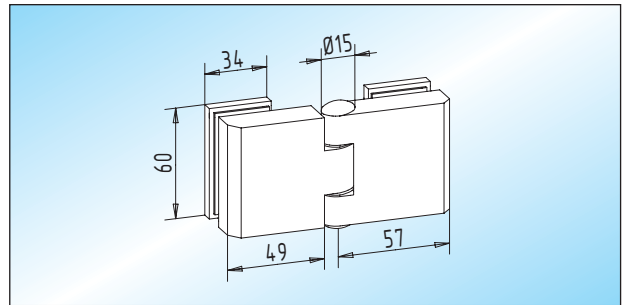
Hinges - special applications



Corner hinges

corner hinges with pivots for bottom and top to screw on, max. 80 kg door weight

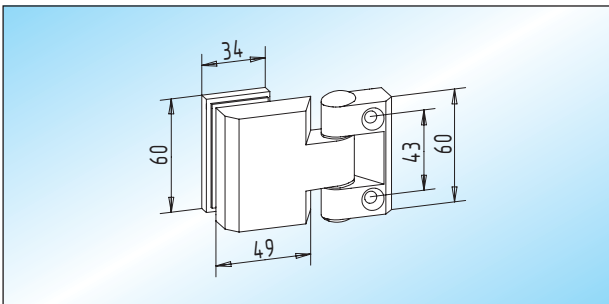
Glass	DIN left	DIN right
8 - 12 mm	26.300.0610. ___	26.300.0620. ___



Hinge / glass-glass

hinge for assembly on glass sidepanels, max. 35 kg door weight

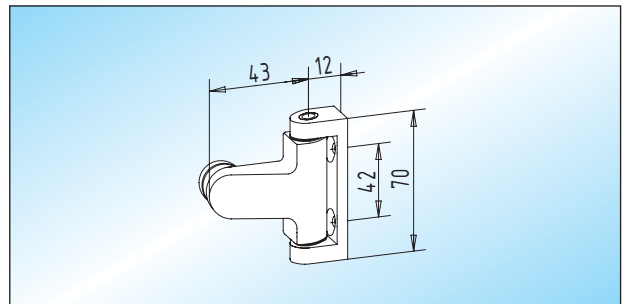
Glass	
6 - 8 mm	26.304.0200. ___



Hinge

hinge with fixing plate, max. 35 kg door weight

Glass	
6 - 8 mm	26.302.0200. ___

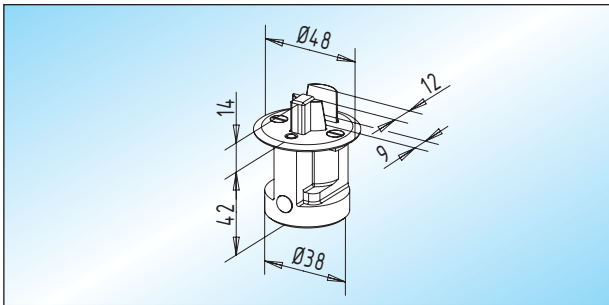


Hinge for showcase

hinge for showcase, max. 20 kg door weight

Glass	
6 mm	26.306.0100. ___
8 mm	26.306.0400. ___

Door stop and strike plates

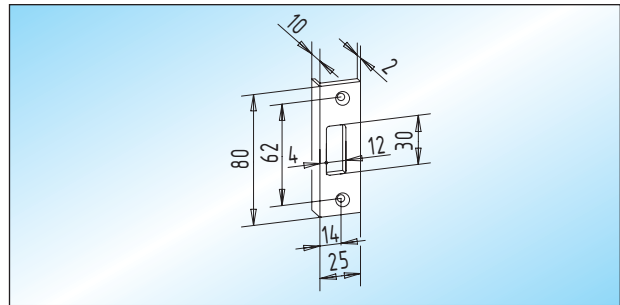


Floor door catch

floor door catch with satin stainless steel cover plate
Please press the release button to locate the glass door.
When pressing the locking pin down the door will be released again.

8 - 10 mm glass

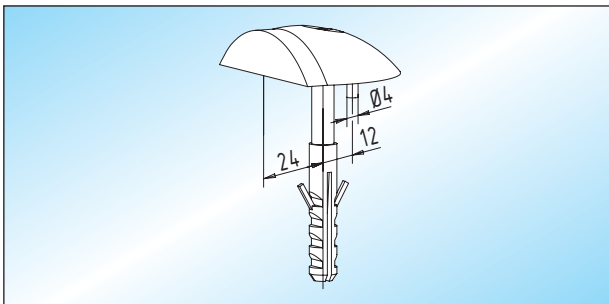
26.400.0500.426



Strike plate

strike plate for locks **STUDIO, HCS and ATELIER**
Available in brass and stainless steel!

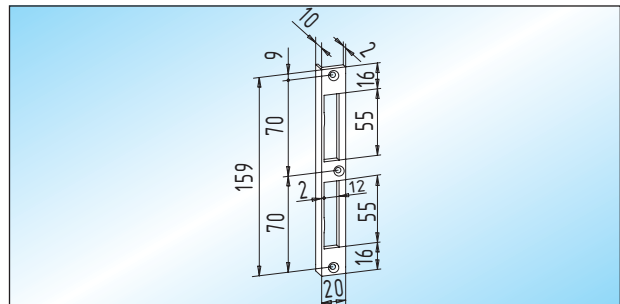
26.404.0000.____



Door stop

door stop with screw and plug
The door stop must be floor mounted. Stop must be positioned at the doors leading edge.

26.402.0000.____



Strike plate

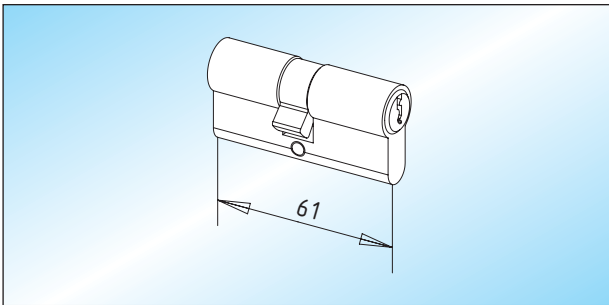
strike plate for locks **ATELIER F/R**
Available in brass and stainless steel!

26.406.0000.____



Profile cylinders

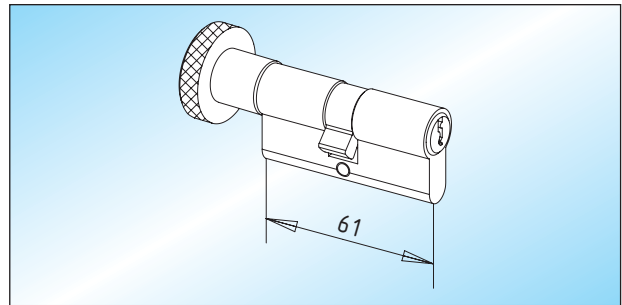
- suitable for 8 - 10 mm glass



Profile cylinder

matt nickel plated brass profile cylinder / DIN 18252,
61 mm length, with 3 keys

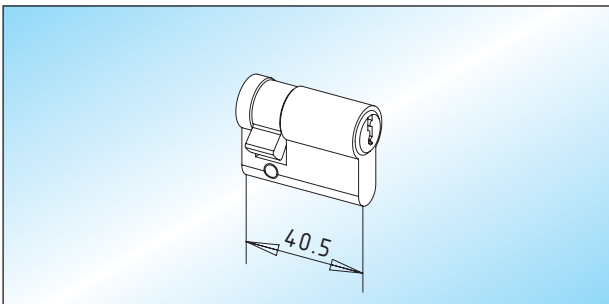
keying	
key to differ	26.500.0000.325
keyed alike	26.502.0000.325



Thumb turn profile cylinder

matt nickel plated brass thumb turn profile cylinder /
DIN 18252, 61 mm length, with 3 keys

keying	
key to differ	26.520.0000.325
keyed alike	26.522.0000.325



Profile half cylinder

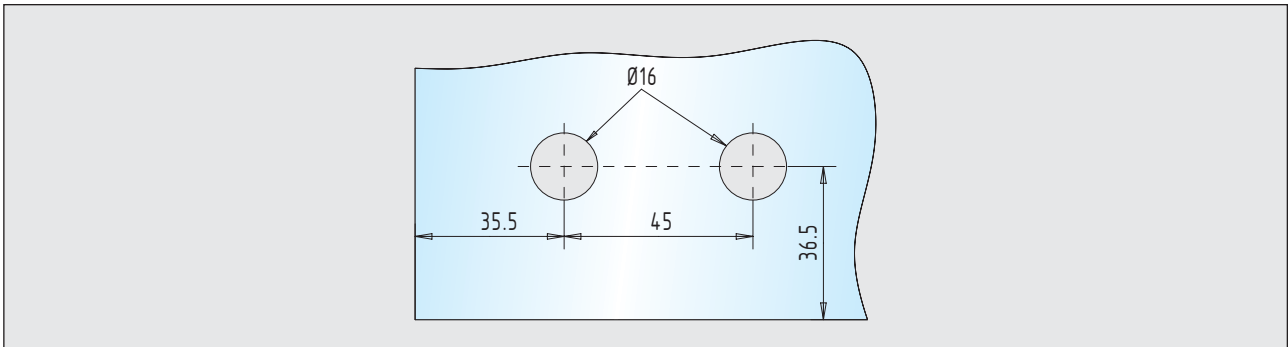
matt nickel plated brass profile half cylinder / DIN 18252,
40,5 mm length, with 3 keys

keying	
key to differ	26.510.0000.325
keyed alike	26.512.0000.325

Glass preparation

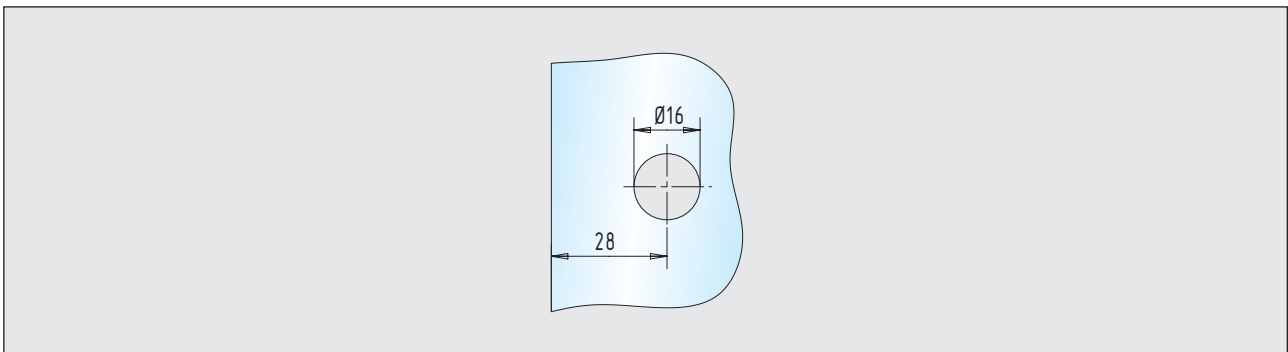
■ hinges

Page 142



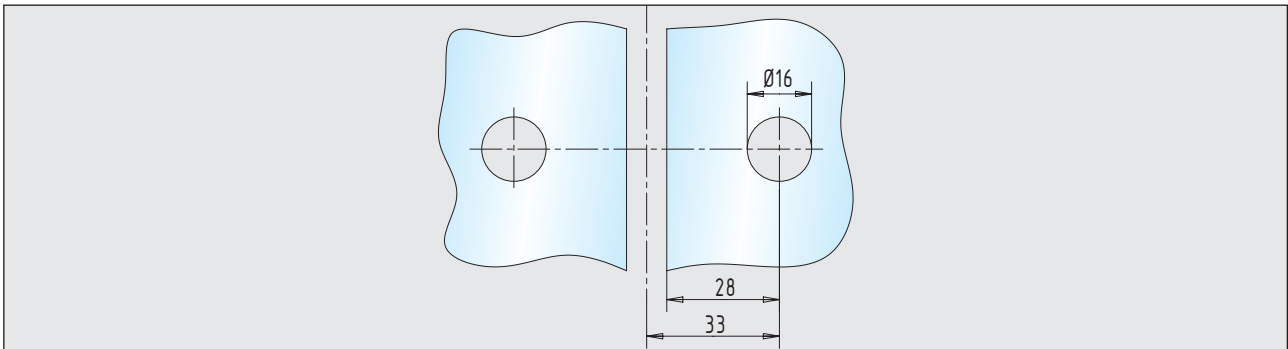
corner hinges

26.300.0610.____ + 26.300.0620.____



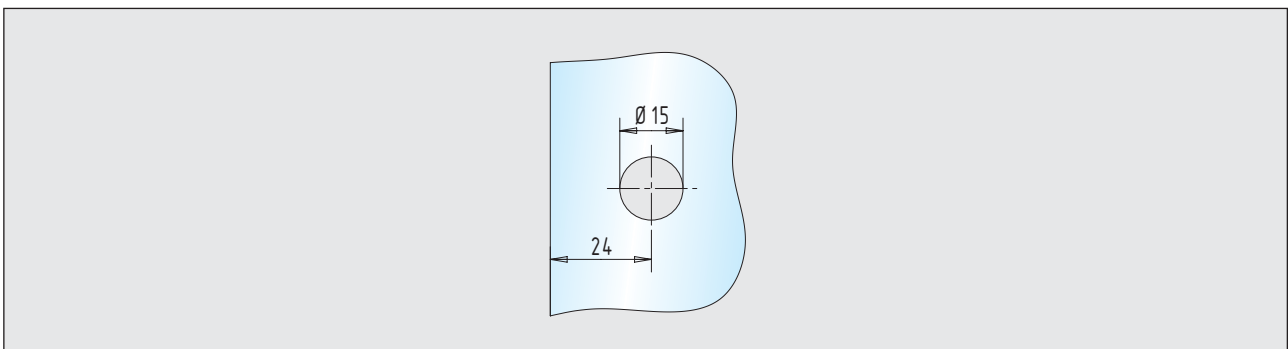
hinge with fixing plate

26.302.0200.____



hinge / glass-glass

26.304.0200.____



hinge for showcase

26.306.0100.____ + 26.306.0400.____



Notes