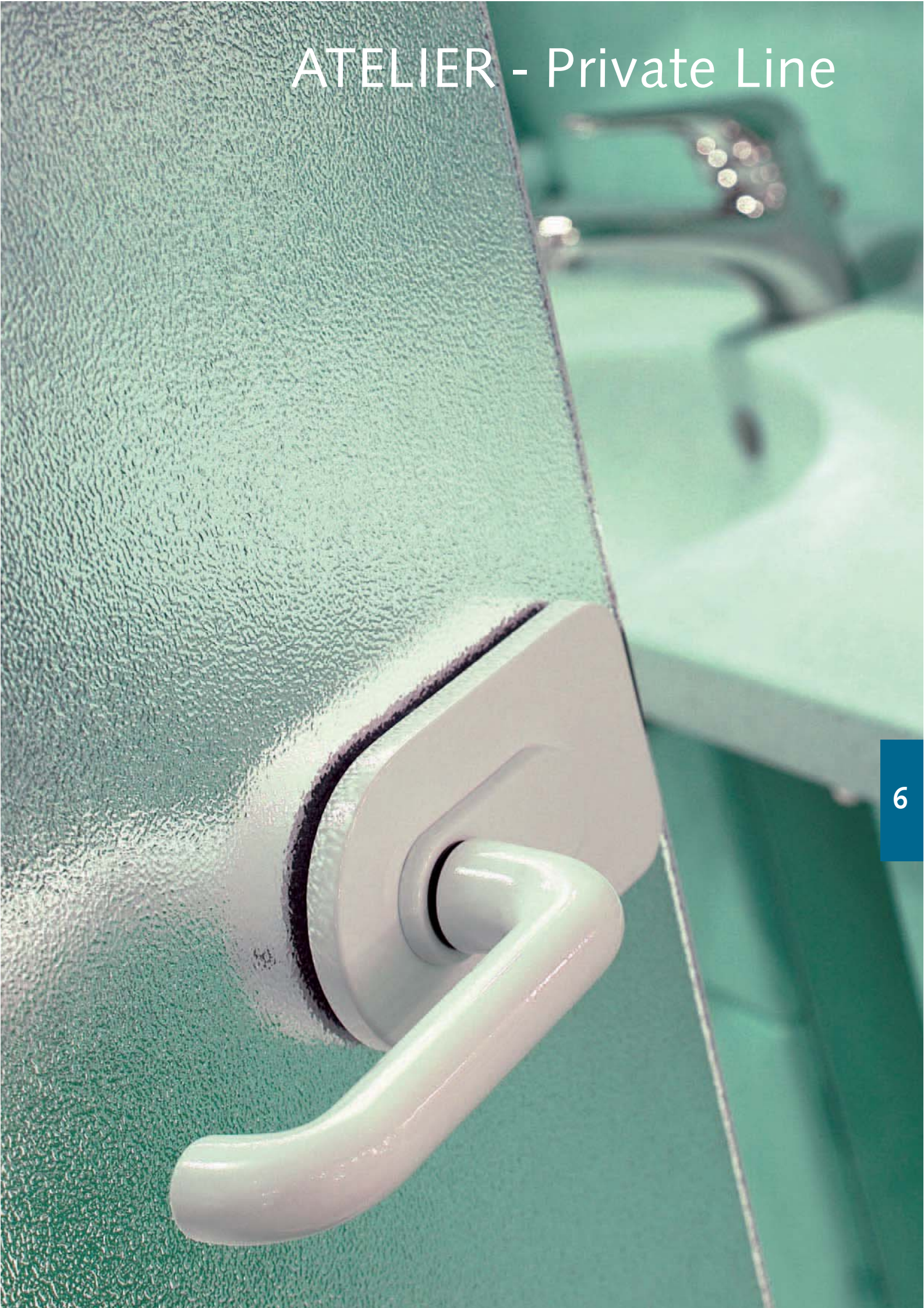
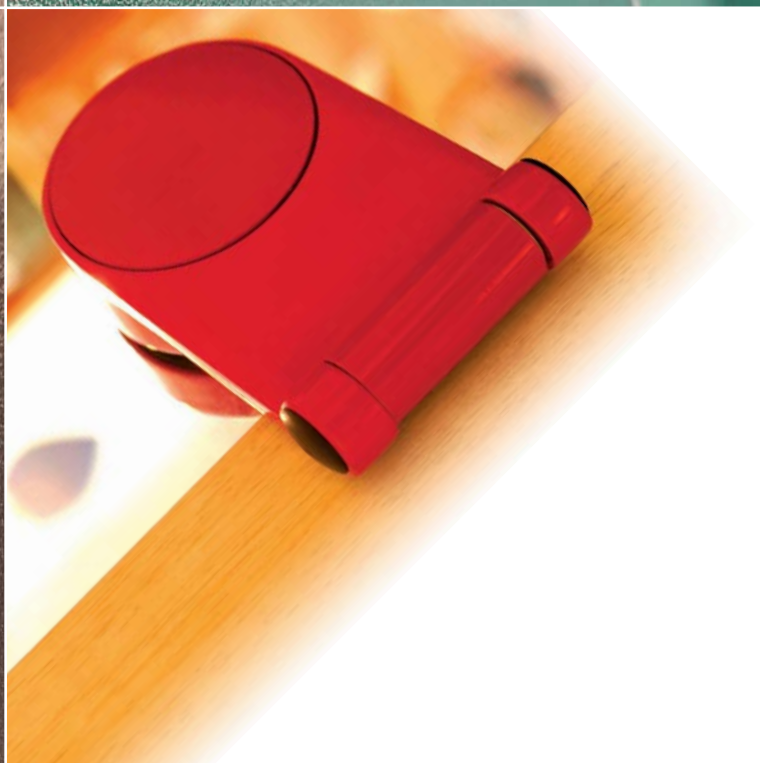
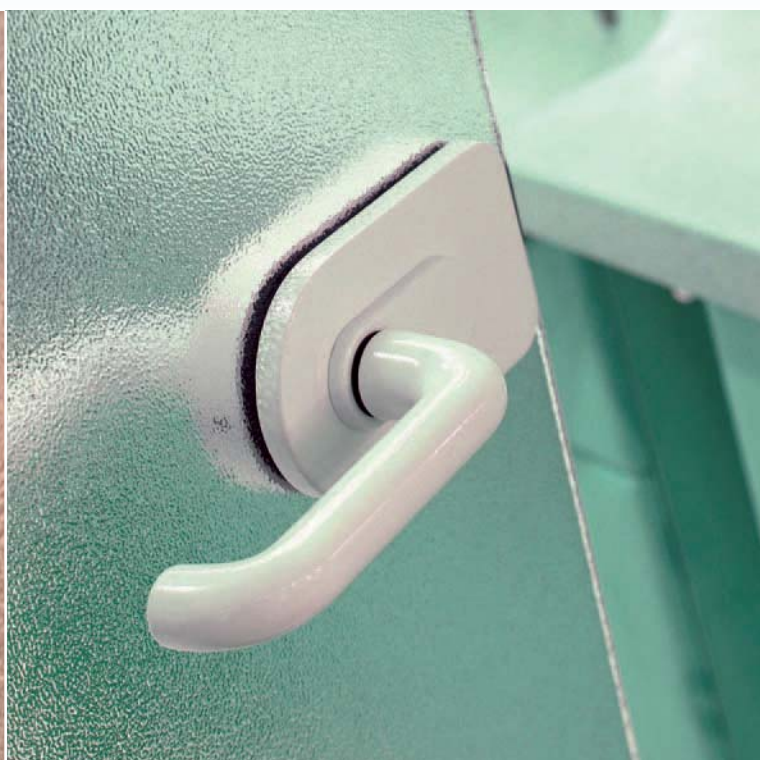


ATELIER - Private Line



ATELIER - Private Line

Reliable and compact.
The alternative solution.



CONTENTS



Technical details	130
-------------------	-----

Product information

Locks with lever handles, hinges and frame pivots:

Latch lock, non locking with lever handles	131
Lock with keying and lever handles	131
Lock for profile cylinder with lever handles	131
Frame pivots	131



Glass preparation	132
-------------------	-----



Installation details	133
----------------------	-----





Technical details

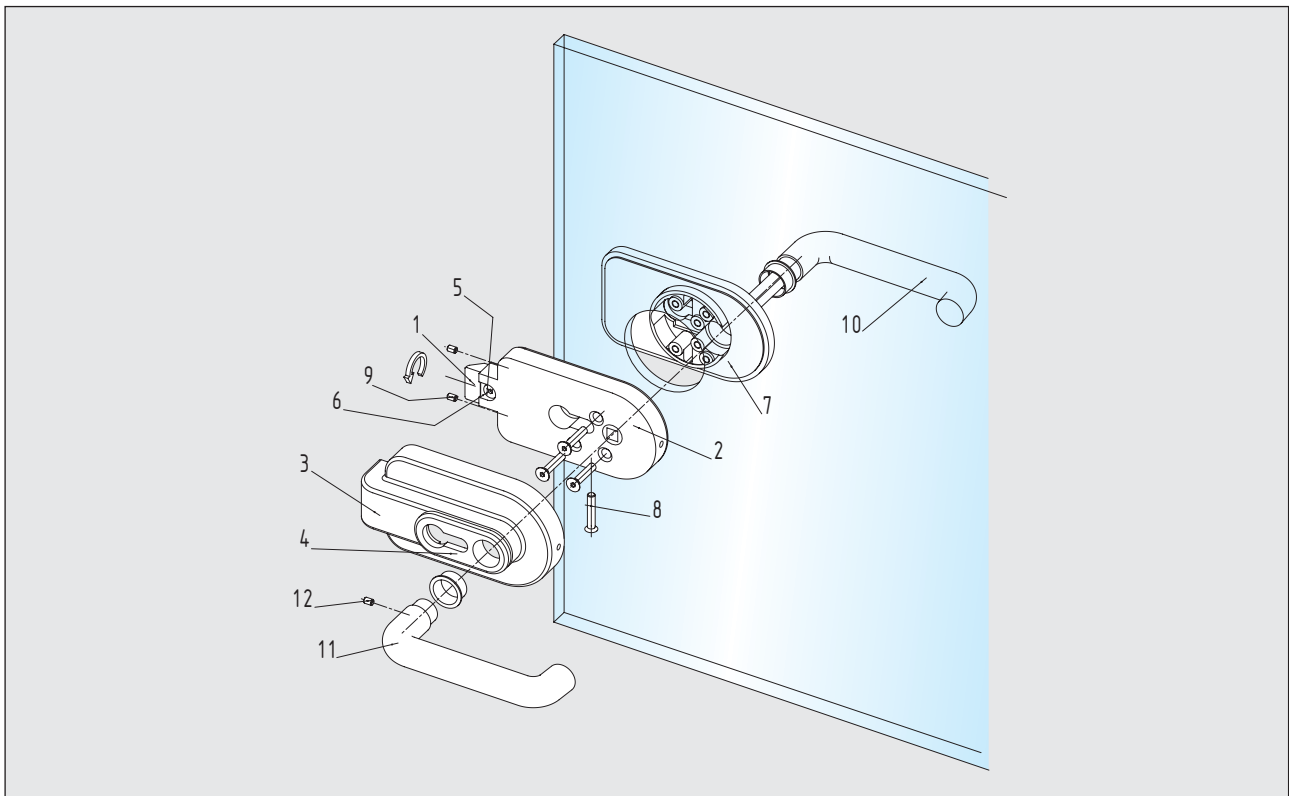
The fitting with soft contours for single leaf all-glass doors in the private living home.

Lock:

- suitable for left or right hand installation
- suitable for 8 mm single sheet toughened glass
- simple and practical construction
- single throw / 19 mm bolt projection
- flush assembly of a profile cylinder, 61 mm length

Hinges:

- installation in frames according to DIN 18101 / 18111
- suitable for 24 mm frame rebate depth
- door width: max. 1.000 mm / door weight: max. 42 kg



Assembly information

By rotating the latch bolt, the handing of the lock can be adjusted to suit site conditions.

1. Glass and gaskets have to be dust- and grease free
2. Install lock insert with clamping plate on door leaf
3. Assemble cover / function rose on lock
4. Insert lever handle with square pin from clamping side and connect with female lever handle
5. Install hinges with clamping plate on door leaf, assemble covers

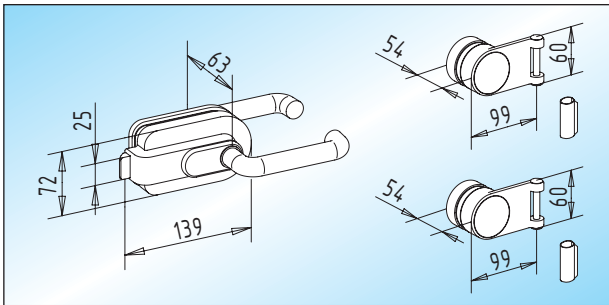
Assembly instructions are enclosed with the fittings

Lock - components

- | | |
|-----------------------------|---------------------------------|
| 1 latch bolt | 7 cover/clamping plate |
| 2 lock insert | 8 fixing screw/cylinder |
| 3 cover/lock side | 9 grub screws/cover |
| 4 function rose | 10 lever handle with square pin |
| 5 hexagon socket head screw | 11 female lever handle |
| 6 latch shaft | 12 grub screw/lever handle |

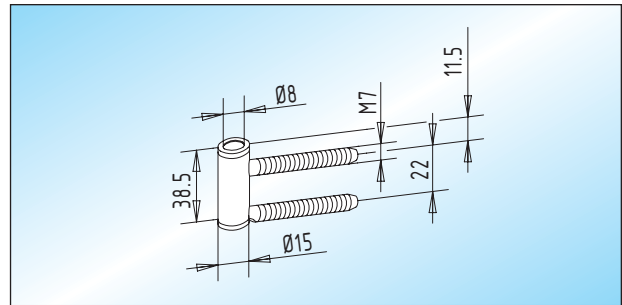
Locks with lever handles, hinges and frame pivots

- suitable for 8 mm glass / 24 mm frame rebate depth
- Please specify the RAL colour!



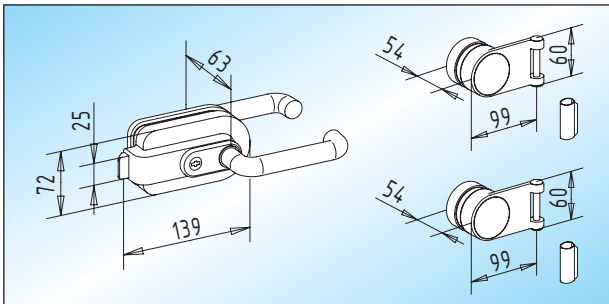
ATELIER - UV
latch lock, non locking
with lever handles, hinges and sleeves

25.100.0400.



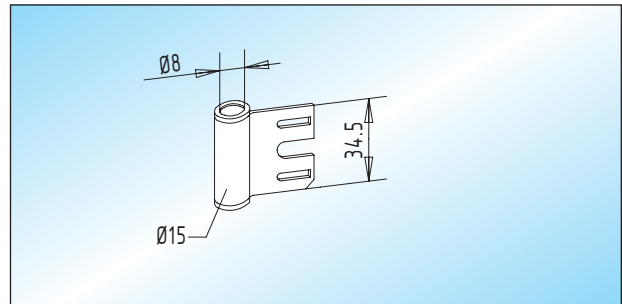
ATELIER - Frame pivot / timber frames
galvanized frame pivot suitable for frame pocket
20.914.0000.010 (V 3614)

21.400.0000.010



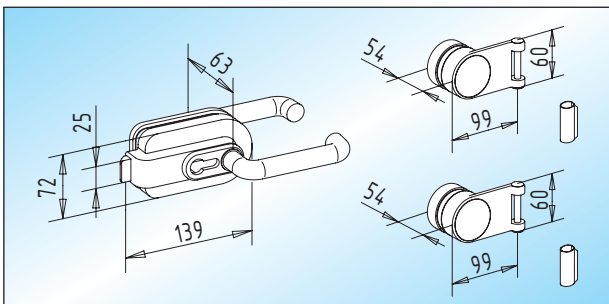
ATELIER - BB
lock with keying
and lever handles, hinges and sleeves

25.102.0400.



ATELIER - Frame pivot / metal frames
galvanized frame pivot suitable for frame pocket
20.926.0000.010 (V 8600)

21.420.0000.010



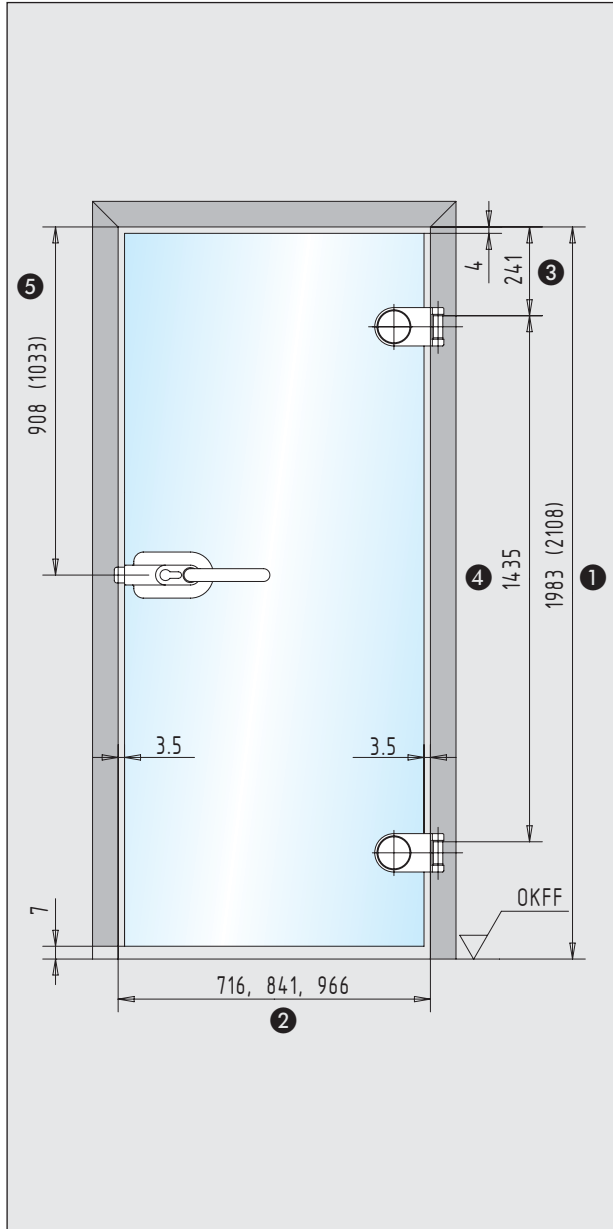
ATELIER - PZ
lock prepared for profile cylinder
with lever handles, hinges and sleeves

25.104.0400.

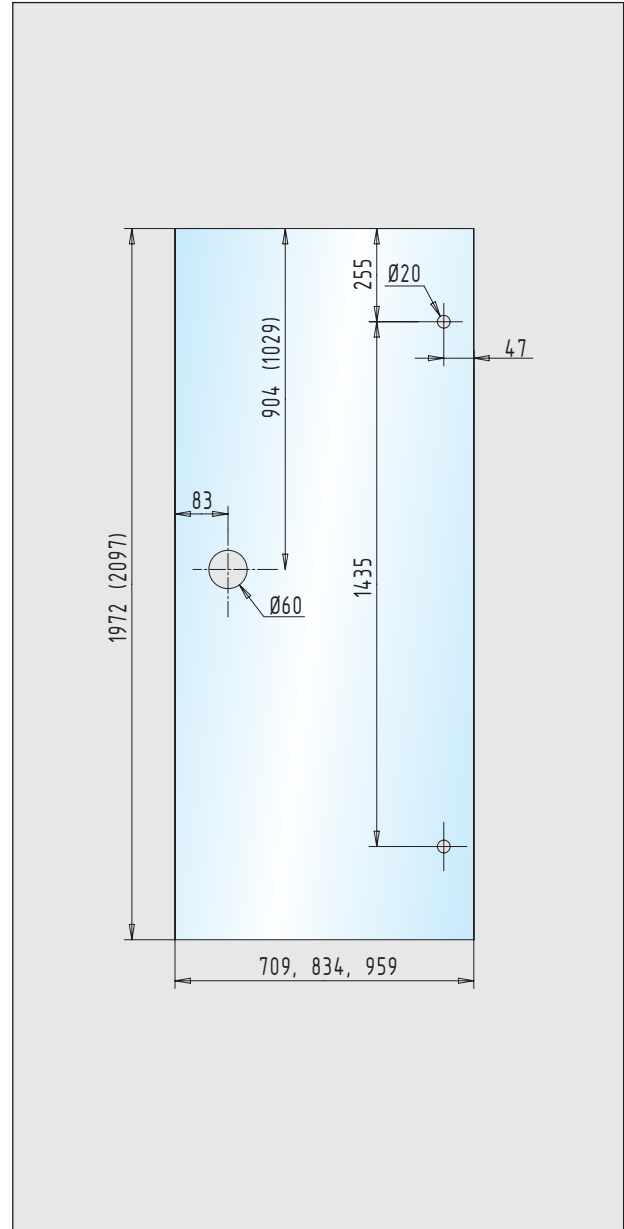


Glass preparation

Standard door leaf with frame



Standard door leaf



Information:

The drawing shows a glass door leaf for standard rebated frames / DIN 18101.

Explanation:

- ① door opening height
- ② door opening width
- ③ hinge position / DIN 18268
- ④ position from hinge to hinge / DIN 18111
- ⑤ centre line of lock position

Information:

The drawings show frames with 24 mm frame rebate depth for 8 mm thick glass.

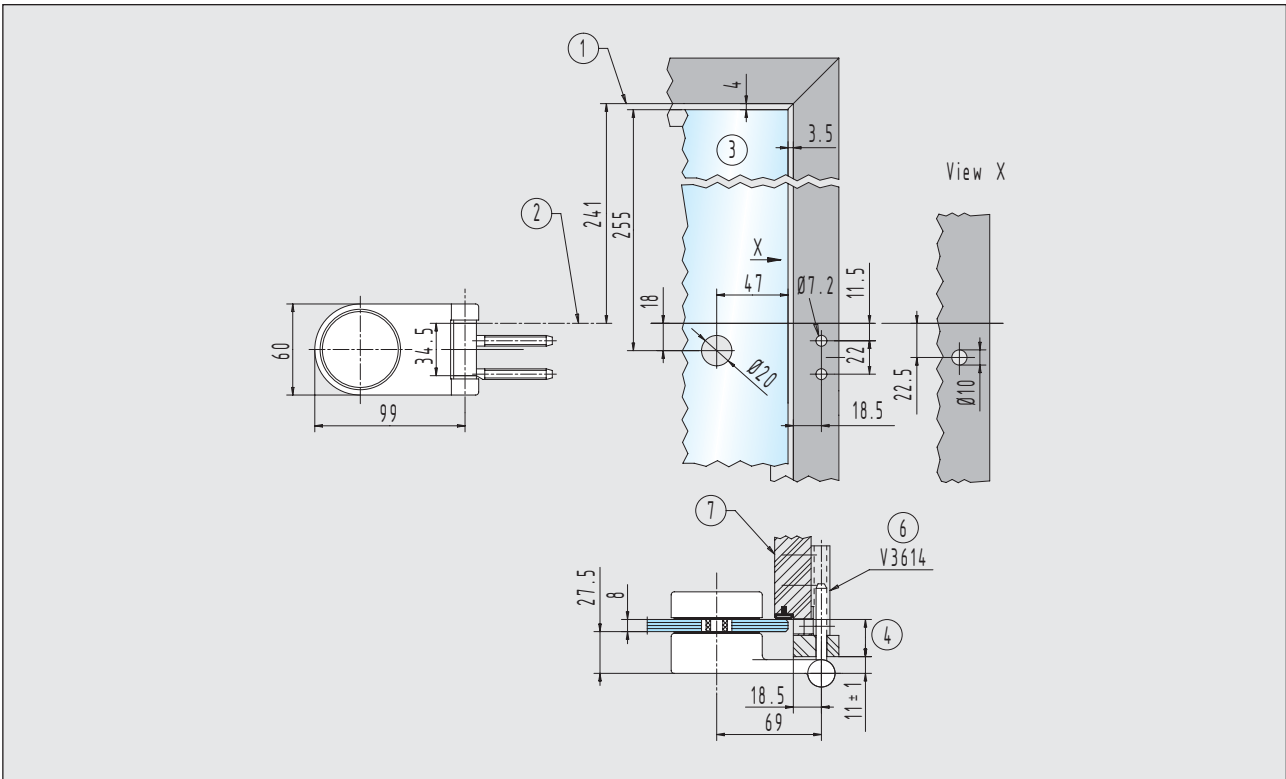
Explanation:

- ① top frame datum line
- ② hinge datum line / DIN 18268
- ③ max. 1.000 mm glass width
- ④ frame rebate depth
- ⑤ ---
- ⑥ frame pocket
- ⑦ rebated frame



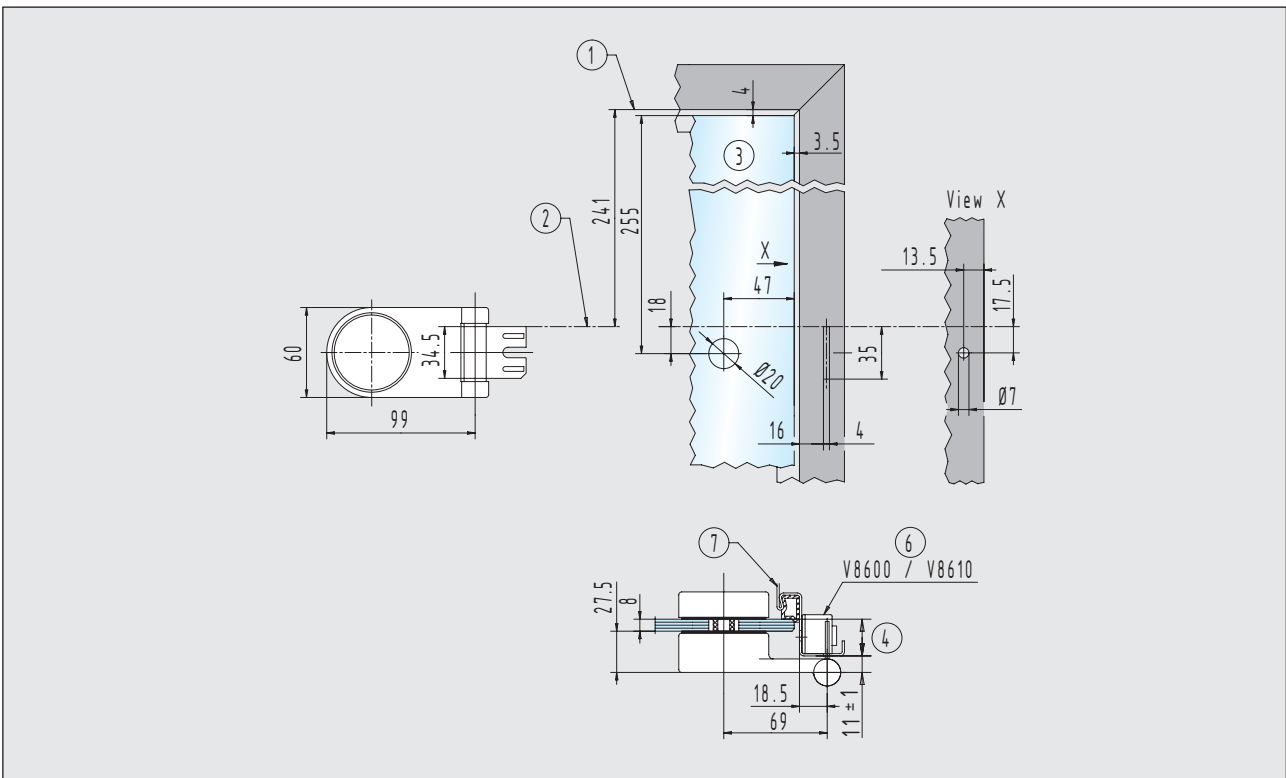
Installation details

- hinges for 8 mm glass / 24 mm frame rebate depth



frame pivot for timber frames

21.400.0000.010



frame pivot for metal frames

21.420.0000.010



Notes

