

HCS - Private Line



HCS - Private Line

Structured surface and modern design:
A new trend.

5



CONTENTS



Technical details

122

Product information

Locks with function lever handles, hinges and frame pivots:

Latch lock, non locking, with function lever handles 123

Lock with cylinder and function lever handles 123

Frame pivots 123



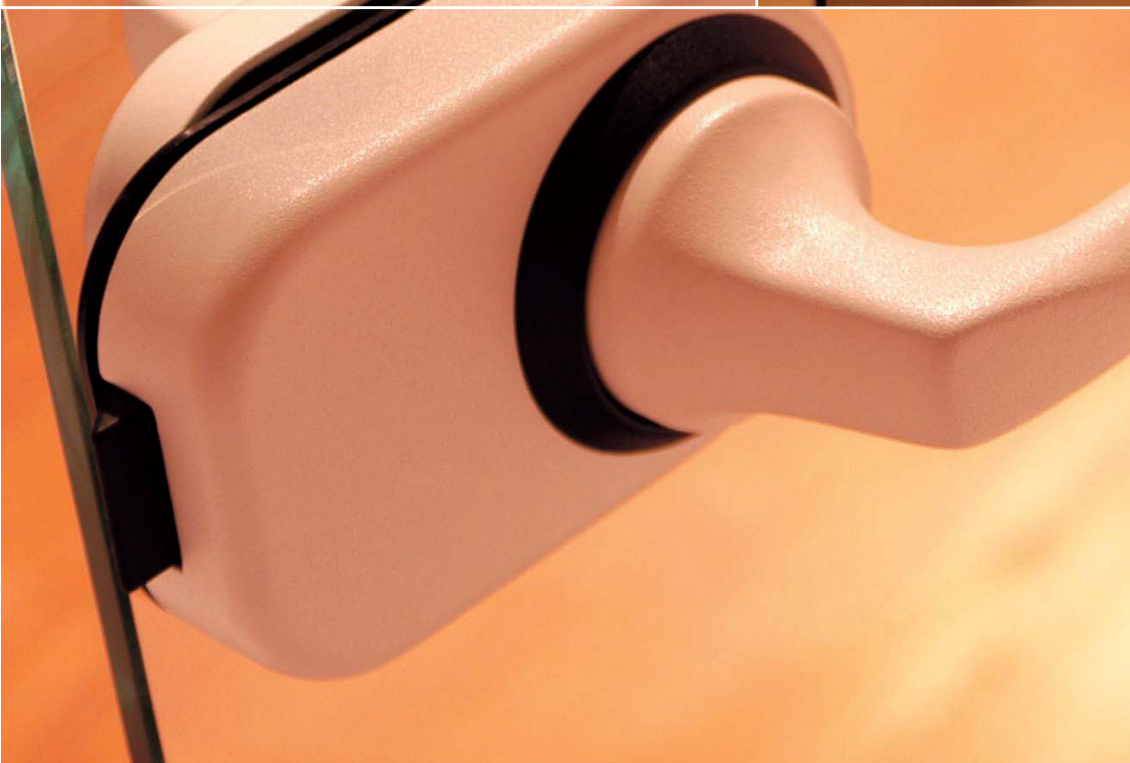
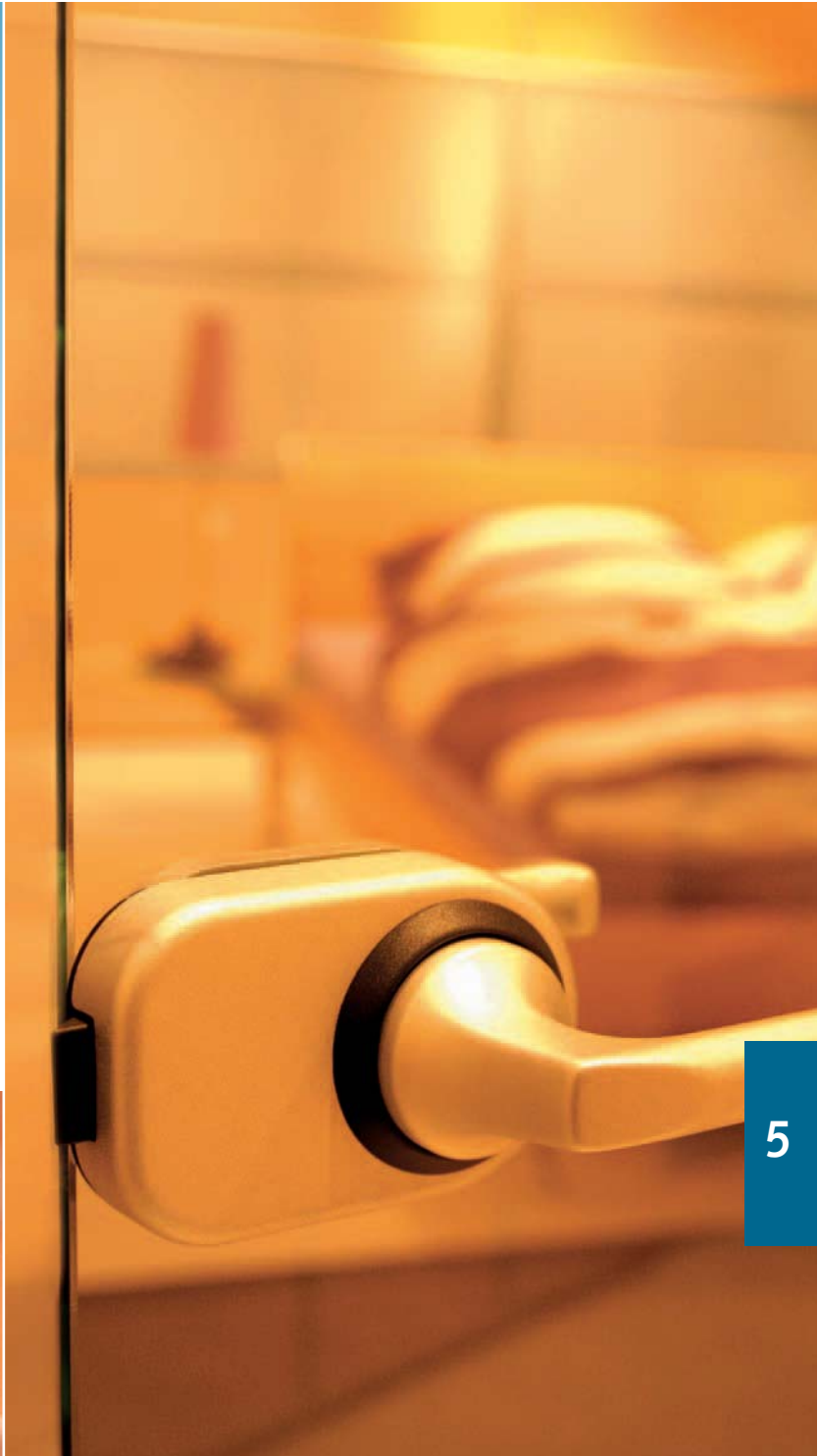
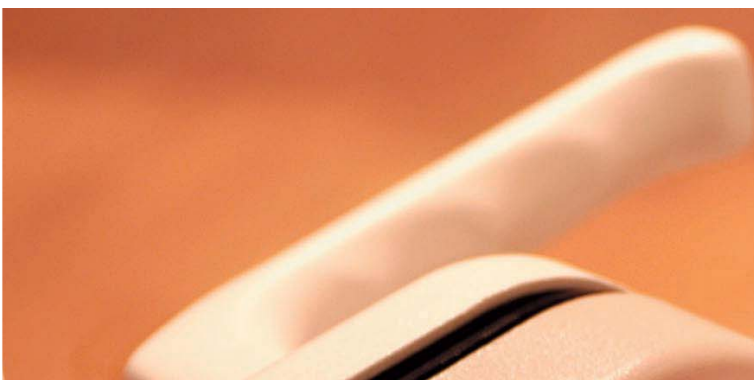
Glass preparation

124



Installation details

125





Technical details

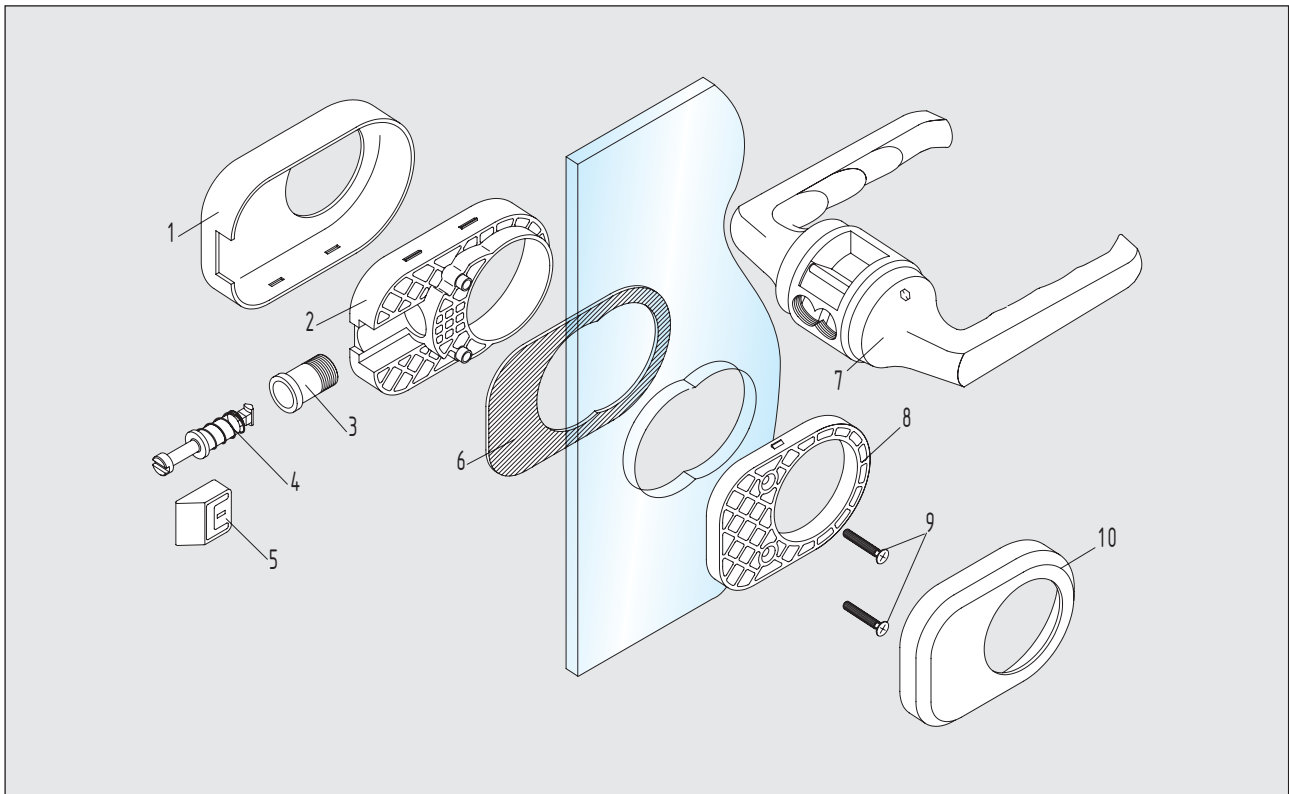
The fitting with a fine structured surface for single leaf all-glass doors in the private living home.

Lock:

- suitable for left or right hand installation
- suitable for 8 mm single sheet toughened glass
- simple and practical construction

Hinges:

- installation in frames according to DIN 18101 / 18111
- suitable for 24 mm frame rebate depth
- door width: max. 1.000 mm / door weight: max. 42 kg



Assembly information

The lock case can be installed in conjunction with the function lever handles in either the left or right hand position. Lock position is determined at time of installation.

1. Glass and gaskets have to be dust- and grease free
2. Install lock case using the fixing sleeve of the function lever handles
3. Insert latch guide with spring and latch
4. Install lock case onto glass using clamping plate
5. Clip on covers

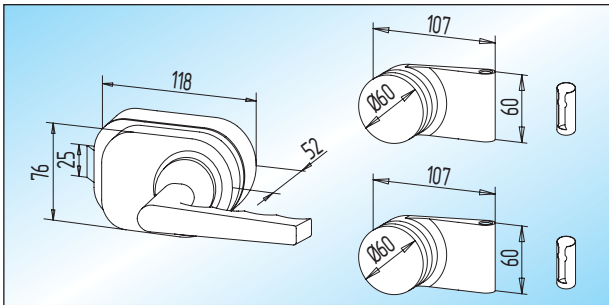
Assembly instructions are enclosed with the fittings

Lock - components

- 1 cover/lock side
- 2 lock case
- 3 fixing sleeve
- 4 latch guide with spring
- 5 latch
- 6 spacer
- 7 function lever handles
- 8 clamping plate
- 9 fixing screws
- 10 cover/clamping plate

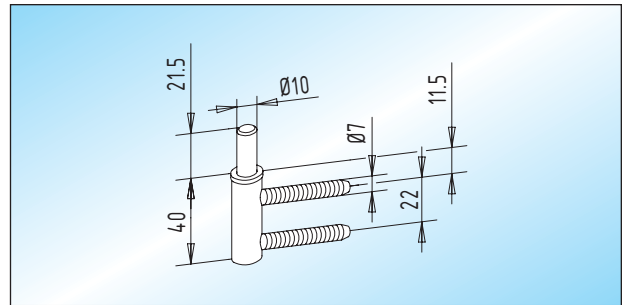
Locks with function lever handles, hinges and frame pivots

- suitable for 8 mm glass / 24 mm frame rebate depth
- available in F11 silver, F12 champagne, RAL 9010 pure white
- Please specify the colour!



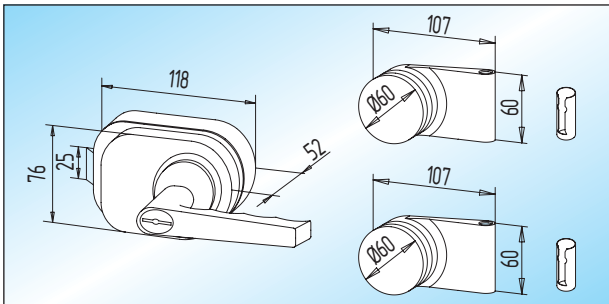
HCS - UV
latch lock, non locking with function lever handles,
hinges and sleeves

24.100.0400.299



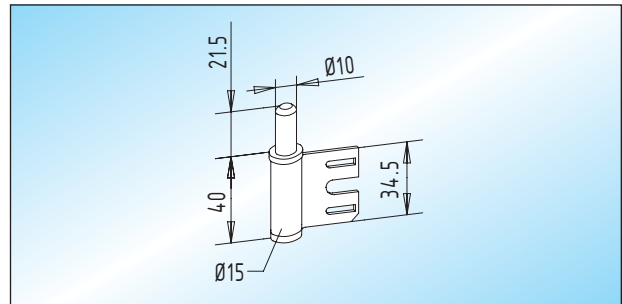
HCS - Frame pivot / timber frames
galvanized frame pivot suitable for frame pocket
20.914.0000.010 (V 3614)

20.900.0000.010



HCS - CYL
lock with cylinder and function lever handles,
hinges and sleeves

24.102.0400.299



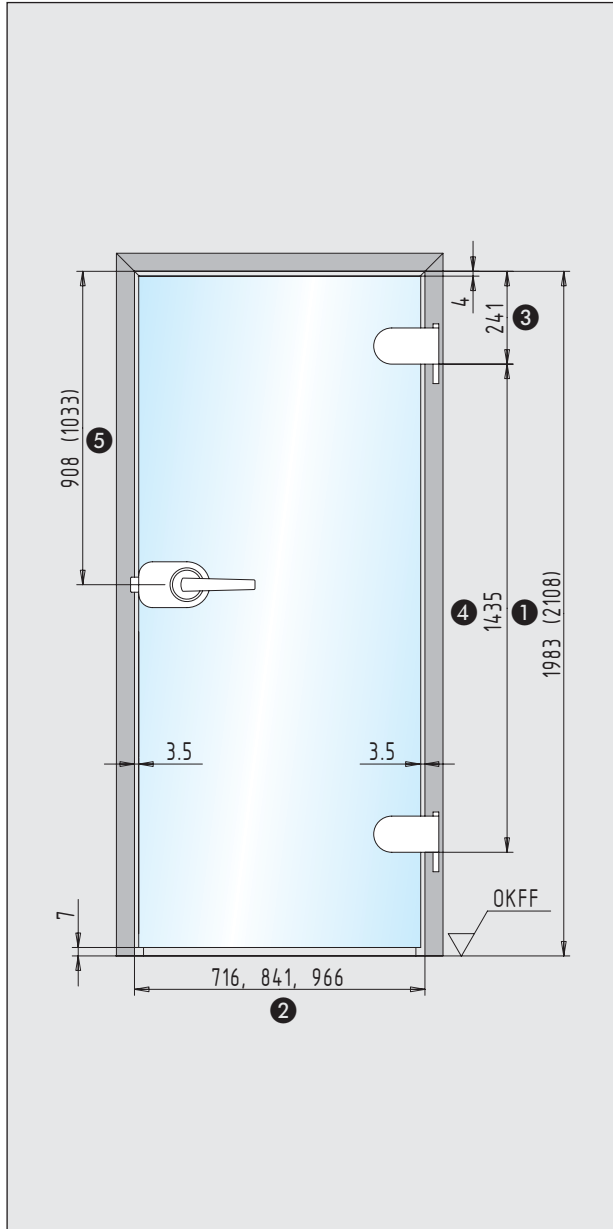
HCS - Frame pivot / metal frames
galvanized frame pivot suitable for frame pocket
20.926.0000.010 (V 8600)

20.920.0000.010

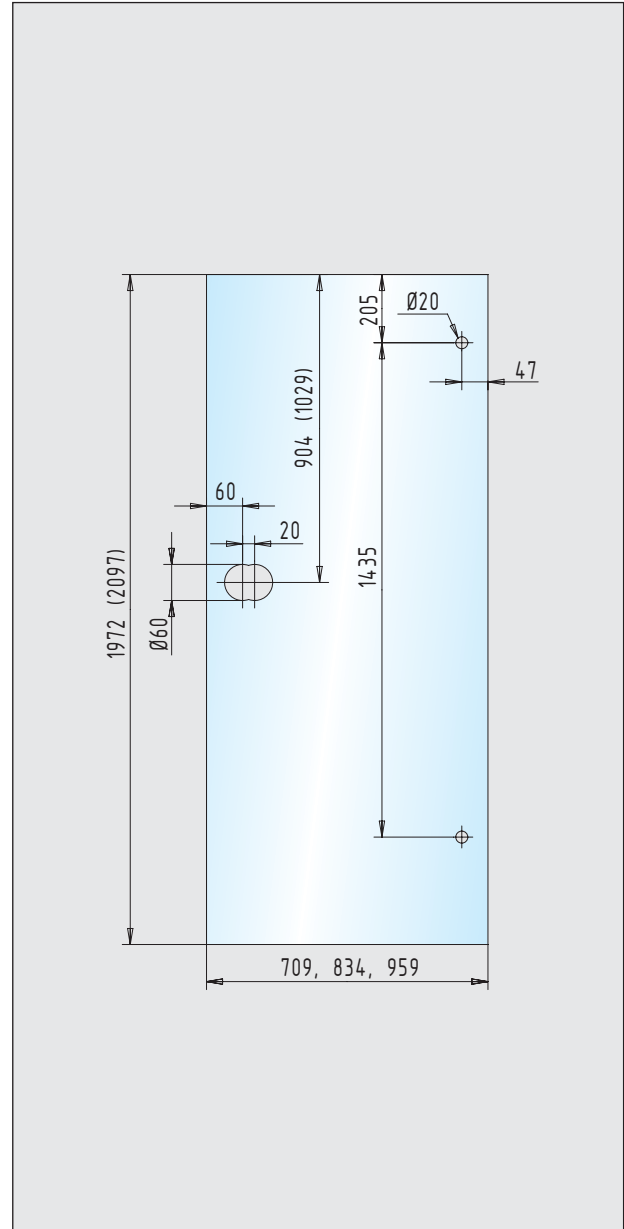


Glass preparation

Standard door leaf with frame



Standard door leaf



Information:

The drawing shows a glass door leaf for standard rebated frames / DIN 18101.

Explanation:

- ① door opening height
- ② door opening width
- ③ hinge position / DIN 18268
- ④ position from hinge to hinge / DIN 18111
- ⑤ centre line of lock position

Information:

The drawings show frames with 24 mm frame rebate depth for 8 mm thick glass.

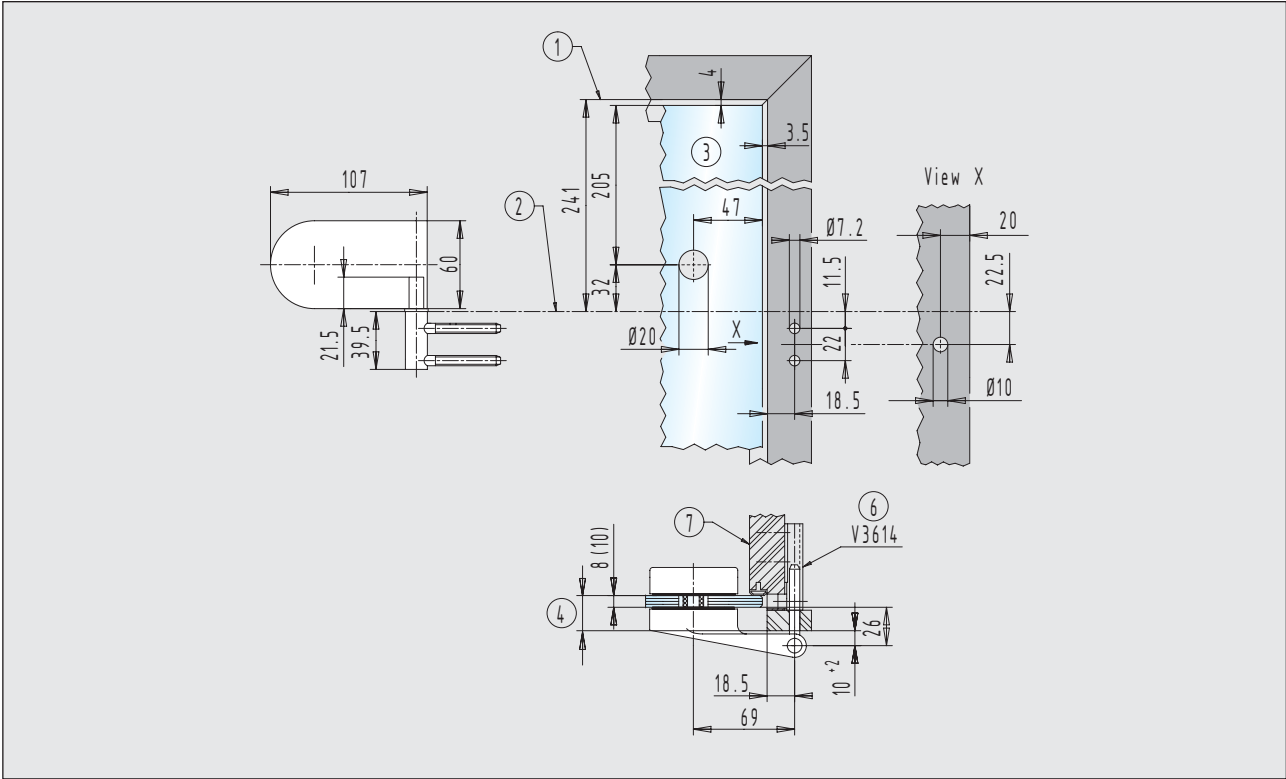
Explanation:

- ① top frame datum line
- ② hinge datum line / DIN 18268
- ③ max. 1.000 mm glass width
- ④ frame rebate depth
- ⑤ ---
- ⑥ frame pocket
- ⑦ rebated frame



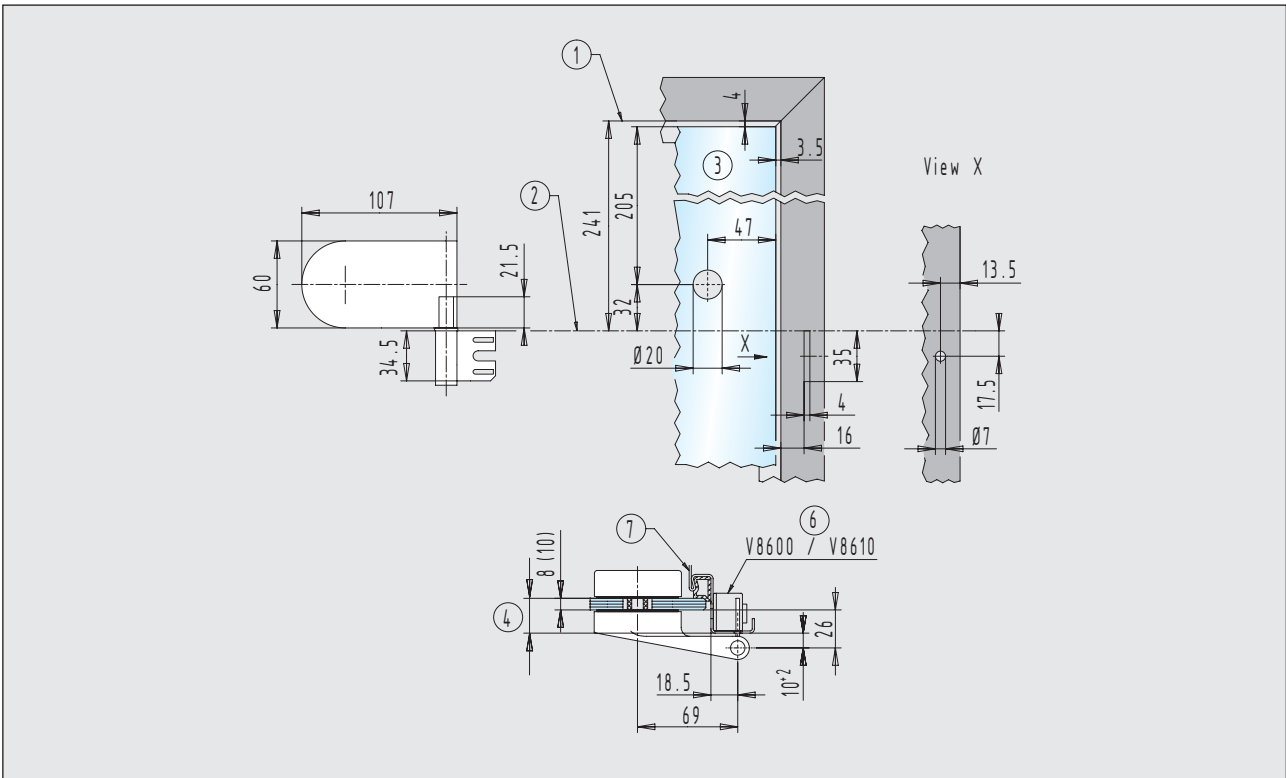
Installation details

■ hinges for 8 mm glass / 24 mm frame rebate depth



frame pivot for timber frames

20.900.0000.010



frame pivot for metal frames

20.920.0000.010



Notes