



## **SELCO - Self-closing double action door hinges**

The new door hinges for interior doors in the private and commercial sector. Max. door weight 70 kg.



## SELCO - Self-closing double action door hinges

The new hinges for interior doors in the private and commercial sector are particularly designed for passageways. The immense effort to install door closers is not necessary.

Quality. Design. Function. Max. door weight 70 kg

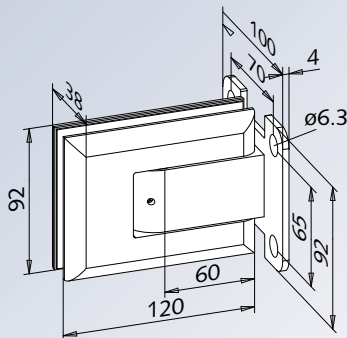
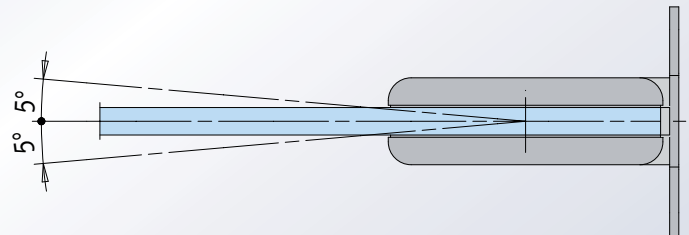
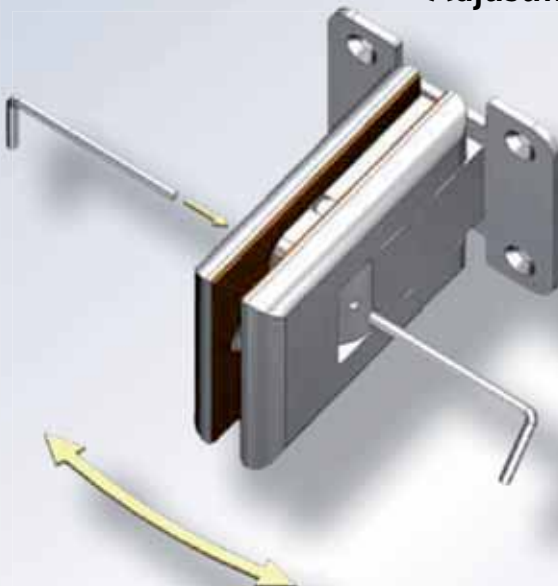


### Technical details:

- for 8, 10 and 12 mm single sheet toughened glass
- max. door weight 70 kg
- max. leaf width 1.000 mm / leaf height 2.500 mm
- high-quality aluminium surfaces or stainless steel finish
- self-closing function
- hold-open at 90°
- easy to assemble
- "0" - position adjustment  $\pm 5^\circ$
- fixing: glass - wall / glass - frame / glass - glass
- simple glass preparation
- tested as per DIN EN 18263 with 500.000 cycles (in preparation)
- suitable for high-humidity environments according to DIN EN 1670 / corrosion class 4 (test in preparation)

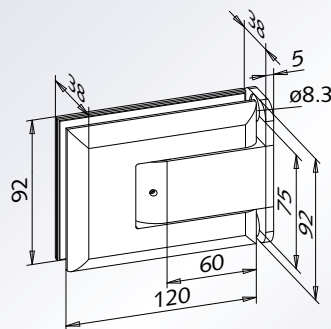


### Adjustment of the "0" - position



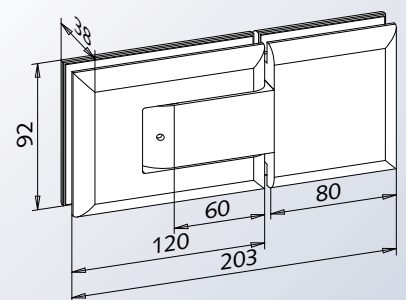
#### Glass - Wall

Installation onto wall with surfaced mounted fixing plate



#### Glass - Frame

Installation into frame with embedded fixing plate and assembling kit (without fig.)



#### Glass - Glass

Installation onto glass side panel

# WSS

**WILH. SCHLECHTENDAHL  
& SÖHNE GMBH & CO K.G.**

Mozartstraße 4-12  
DE-42579 Heiligenhaus

P.O. Box 10 05 52 / 62  
DE-42570 Heiligenhaus

Phone: +49 (0) 20 56 / 17-0  
Fax: +49 (0) 20 56 / 51 42

Web: [www.wss.de](http://www.wss.de)  
E-Mail: [wss@wss.de](mailto:wss@wss.de)